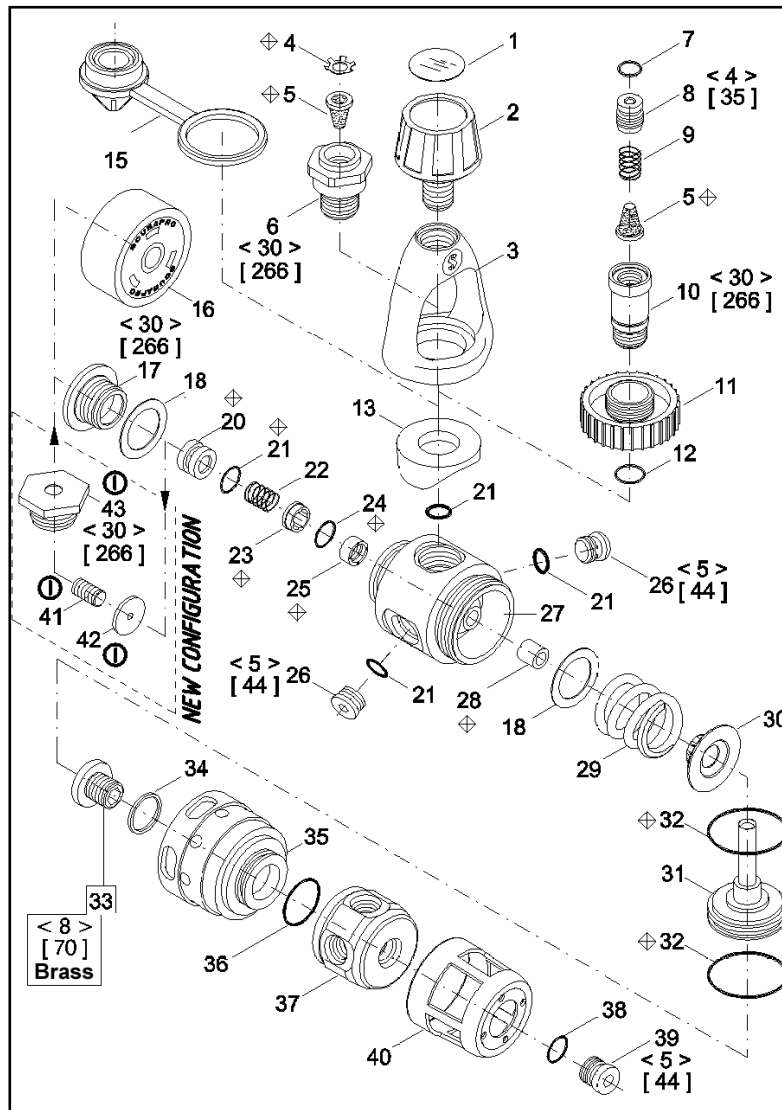


MK20 and MK25 First Stage Schematic

Notes



< >	Torque N·m	± 2		
[]	Torque lb·in	± 18		
◇	Annual replacement			
MK25 and MK20 First Stages				
CONFIG.	10	DATE	01/02	1 / 1
REV.				

Po.	Part #	Description	Dealer
1	01006929	Decal MK25	1.00
	01006624	Decal MK20	1.00
2	10200008	Yoke screw 9/16"	6.00
3	10705157	Yoke	14.00
4	01073101	Retainer	.50
5	01028109	Filter	1.00
6	10103115	Yoke Retainer Universal	5.00
7	01050428	O-Ring	.75
8-12	10045030	DIN KIT	31.00
8	inc. w/ DIN Kit	Filter Retainer DIN 300	
9	"	Spring	
10	"	Knob Retainer DIN 300	
11	"	Knob, DIN 300	
12	01050347	O-Ring	.40
13	10600111	Saddle	1.50
15	10101211	Inlet Protector DIN	2.40
16	10700104	Cap	2.00
17	10700102	Seat Retainer	4.00
18	01060219	Washer	.50
20	10101161	Seat	3.00
21	01050138	O-ring	.40
22	01020700	Spring	2.00
23	10700107	Ring	3.00
24	01050136	O-Ring	1.00
25	01060607	Ring	2.00
26	10101139	Plug 7/16"	1.00
27	10700101	Body	30.00
28	10700401	Sleeve	.30
29	01020225	Spring T.I.S.	8.00
30	10600135	Bushing	1.50
31	10600155	Compos. Piston Assy (31, 32, 30, 28)	19.00
32	01050177	O-Ring	.40
33	10500104	Swivel Retainer	3.50
34	01060500	Washer	.50
35	10600102	Cap	20.00
36	01050162	O-Ring	1.00
37	10600118	Swivel	12.00
38	01050132	O-Ring	.40
39	10101104	Plug, LP	1.00
40	10700108	Cap	1.20
41-43	41300020	MK25 Upgrade Kit	15.50
41	inc. w/ above	Adjust Screw (MK25)	
42	"	Spacer (MK25)	
43	"	Seat Retainer (MK25)	

10750041	Repair Kit	10.00
----------	------------	-------