

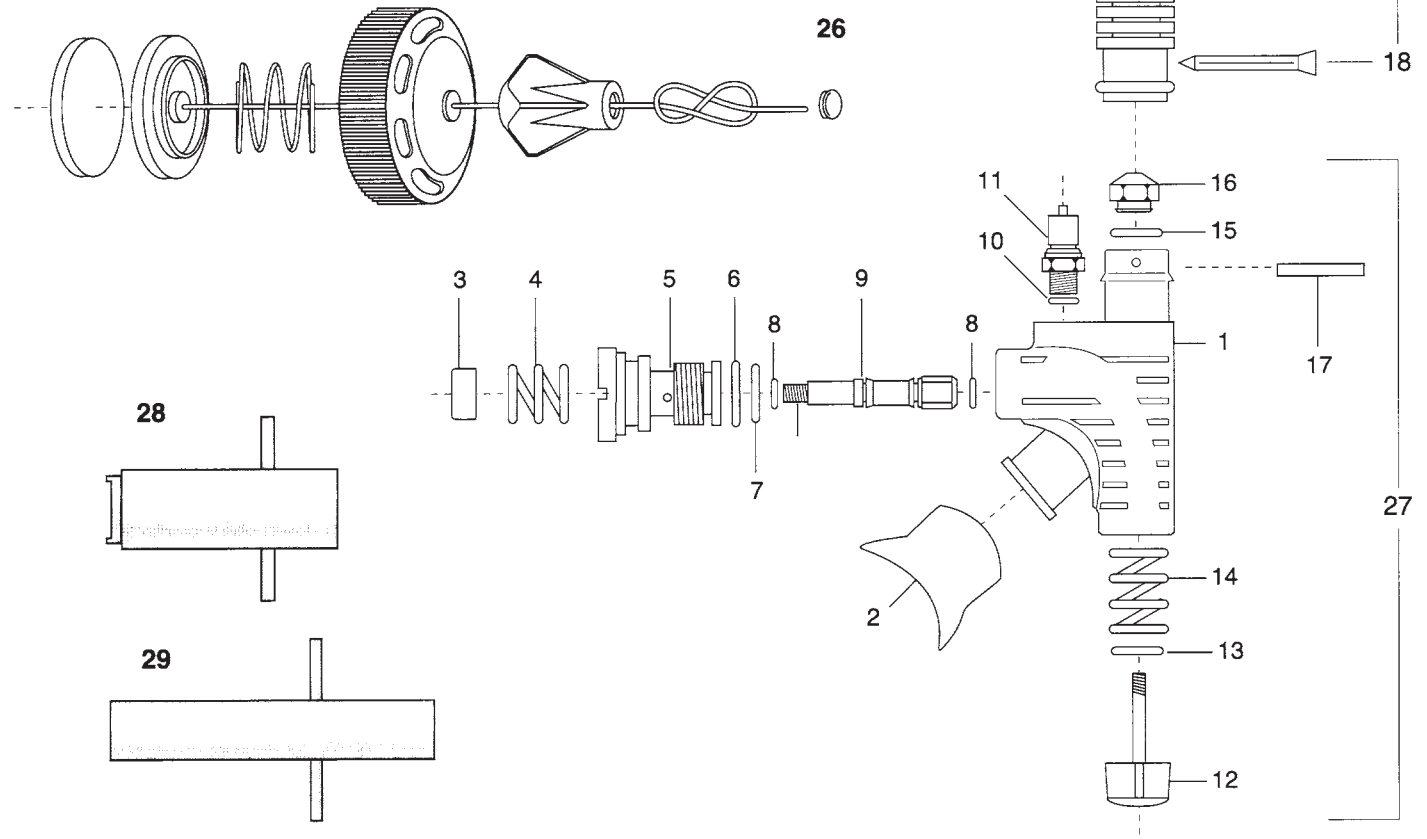
# FOR REFERENCE ONLY

## SOME PARTS MAY NO LONGER BE AVAILABLE

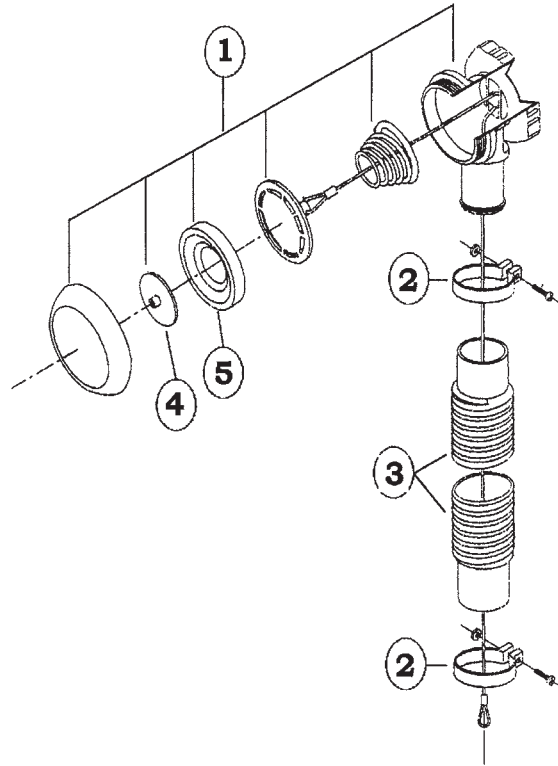
### SOME TECHNICAL BULLETINS MAY APPLY TO THESE INFLATORS

Item	Part No.	Description
1	SPP-01	Inflator body
2	SPP-02	Mouthpiece
3	SPP-03	Button - power - gray
4	PP-04	Spring - power - stainless steel
5	PP-05	Housing
6	R112	O-ring
7	R012	O-ring
8	R006	O-ring - polyurethane (2 required)
9	PP-09	Stem
10	R011B	O-ring
11	PP-11	Q.D. Nipple
12	SPP-12	Button/Shaft - oral
13	R116	O-ring
14	PP-14	Spring - oral - stainless steel
15	R110	O-ring
16	PP-16	Nut - oral
17	PP-17	Retaining pin - stainless steel
18	PP-18	Tie wrap
19	PP-19-S	Flex hose, 13"
19	PP-19-M	Flex hose, 17"
19	PP-19-L	Flex hose, 19"
19	PP-19-XL	Flex hose, 21"

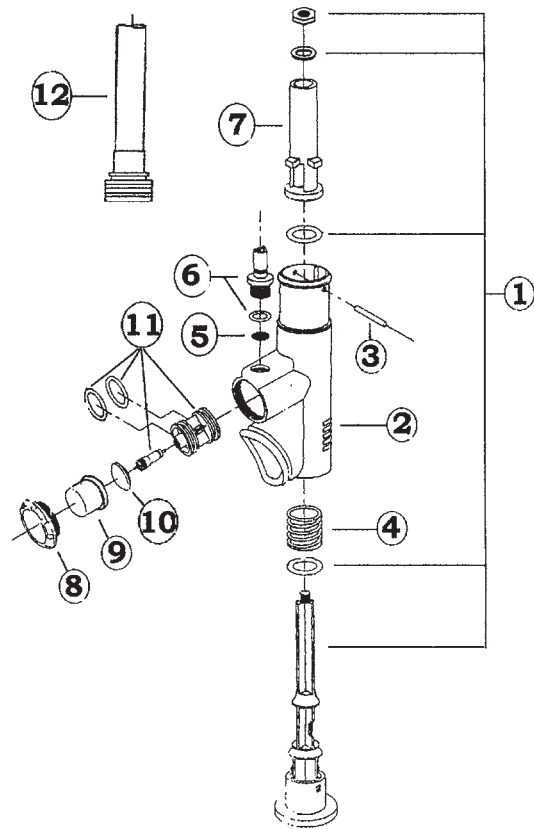
Item	Part No.	Description
20	PP-20-S	Elbow/cable assembly, 13"
20	PP-20-M	Elbow/cable assembly, 17"
20	PP-20-L	Elbow/cable assembly, 19"
21	R210	O-ring
22	PP-22	Check valve retainer
23	PP-23	Check valve
24	PP-24	Cap
25	PP-25	Elbow gasket
26	SPP-30	Manual rear dump assembly
27	SPP-50	Power inflator assembly (Items 1-17)
28	20-660-200	Inflator valve T-tool
29	20-670-400	Dump nut & QD nipple tool
PP-SHR-S		Complete assembly 13"
PP-SHR-M		Complete assembly 17"
SPP-KIT		Service Kit
Includes: SPP-03, PP-04, PP-05, PP-06, PP-07, PP-08 (2), PP-09, PP-10, PP-11, PP-11		



Item	Part No.	Description
1	BP2014	Elbow Dump Assy, 14" Buttress Thread
1	BP2016	Elbow Dump Assy, 17" Buttress Thread
1	BP2015	Elbow Dump Assy, 14" UNF Thread
1	BP2017	Elbow Dump Assy, 17" UNF Thread
2	BP1505	Clamp Assembly, Std 1"
3	BP1557	Spiral Hose, 1" x 14"
3	BP1558	Spiral Hose, 1" x 17"
4	BP2005	Elbow Dump Check Valve
5	BP2009	Elbow Dump Seal



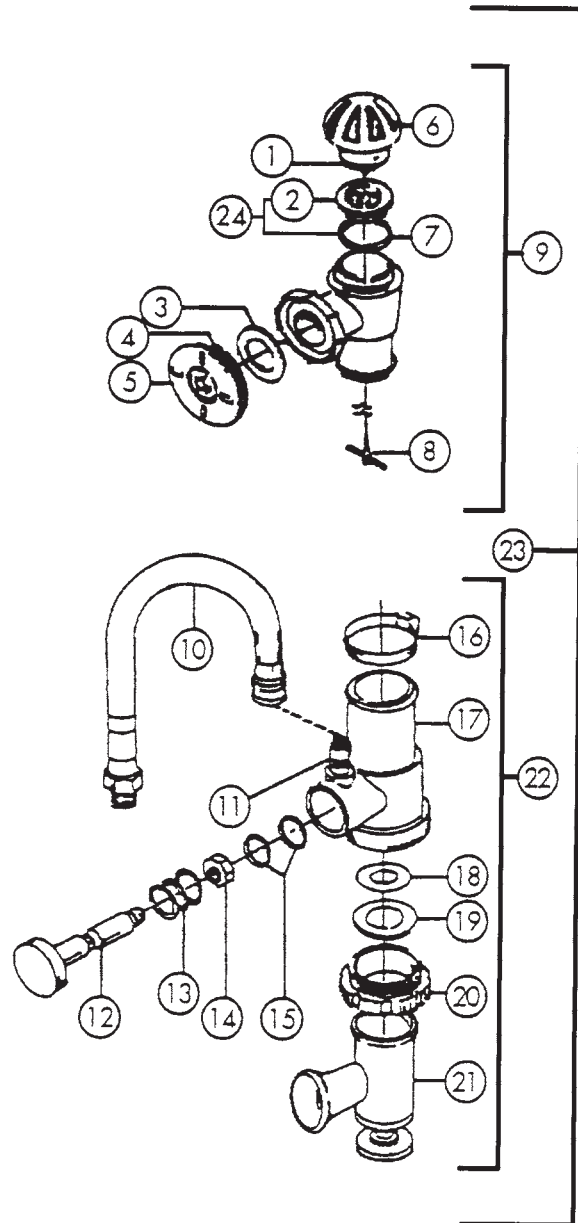
Item	Part No.	Description
1	BP2008	Power inflator assembly (Use SPP-50)
2	BP2026	Housing
3	BP1512	Elbow Dump Cable - Retaining Pin
4	BP2010	Oral Inflator Spring
5	BP2006	Power Inflator Inlet Filter
6	BP1515	Power Inflator Quick Disconnect w/O-Ring
7	BP2011	Oral Inflator Support
8	BP2021	Power Inflator Retaining Ring
9	BP2002	Power Inflator, Button Cap, Red
10	BP2007	Power Inflator, Internal Button
11	BP2018	Valve Carrier with Check Valve & O-Rings
12	SLP150	LP Power Inflator Hose Std, 28"
1 - 12	BP2001	Oral inflate/deflate assy. (Use SPP-50)

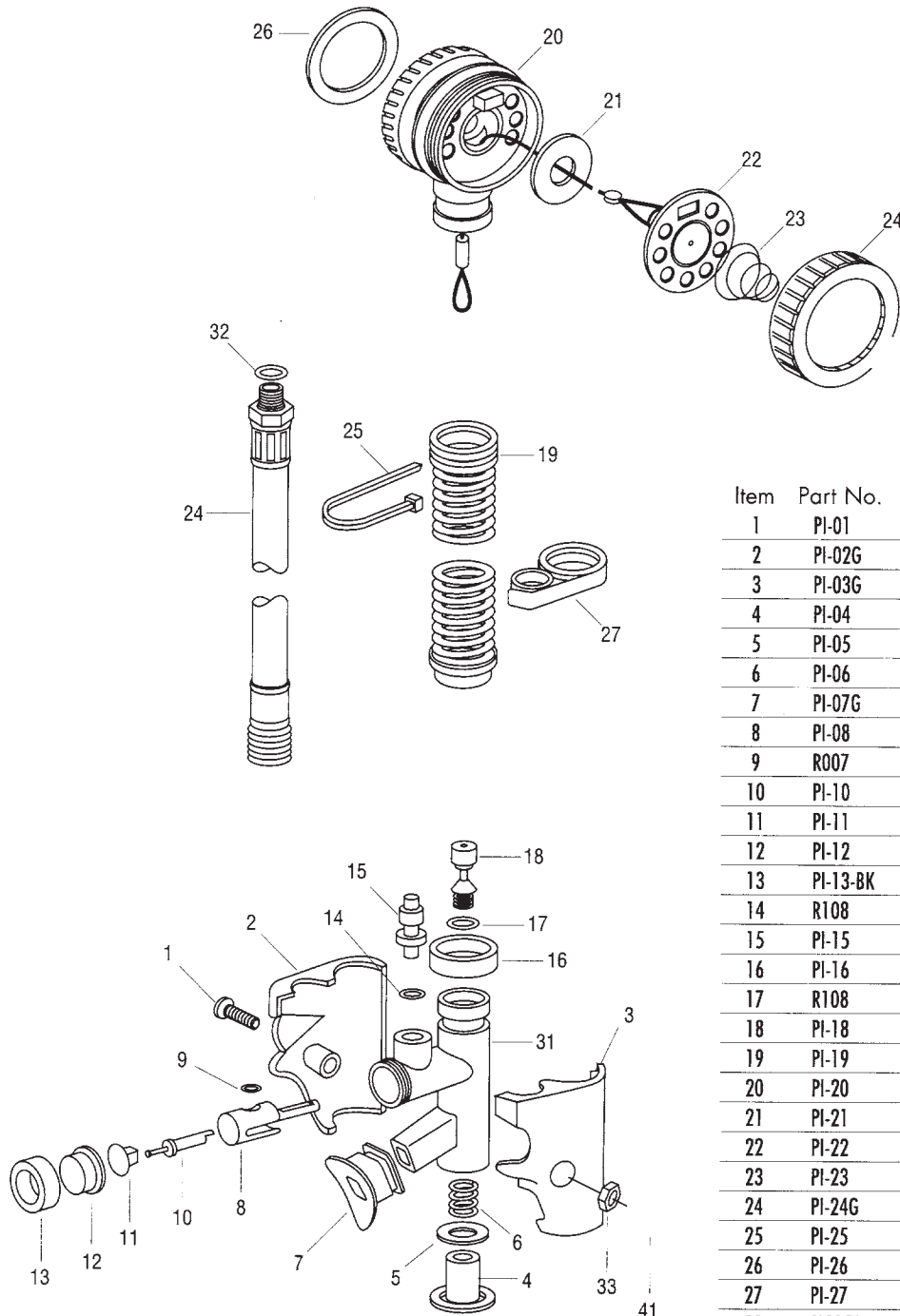


**FOR REFERENCE ONLY**  
**SOME PARTS MAY NO LONGER BE AVAILABLE**  
**SOME TECHNICAL BULLETINS MAY APPLY TO THESE INFLATORS**

**FOR REFERENCE ONLY**  
**SOME PARTS MAY NO LONGER BE AVAILABLE**  
**SOME TECHNICAL BULLETINS MAY APPLY TO THESE INFLATORS**

Item	Part No.	Description
1	BP1503	Elbow Dump Check Valve
2	BP1516	Elbow Dump Check Valve Retainer
3	BP1508	Elbow Gasket, 1"
4	BP1573	External Threaded Access Fitting UNF
5	BP1574	Internal Threaded Access Fitting UNF
6	BP1502	Threaded Valve Cap
7	BP1510	Elbow Dump O-Ring
8	BP1512	Cable Retaining Ring
9	BP1526	Elbow Dump Assembly, 17" UNF
10	SLP150	Power Inflator Hose, 28"
11	BP1515	Power Inflator QD nipple
12	BP1520	Power Inflator Shaft and Button Assembly
13	BP1519	Power Inflator Spring
14	BP1509	Lock Nut
15	BP1511	Power Inflator O-Ring
16	BP1505	Clamp Assembly, 1"
17	BP1513	Power Inflator Body
18	BP1507	Power Inflator Seal Gasket
19	BP1523	Power Inflator Retaining Ring
20	BP1517	Power Inflator Threaded - Retaining Sleeve
21	BP1521	Oral Inflator Valve
22	BP1501	Power Inflator Assembly - (Use SPP-50)
23	BP1522	Complete Power Inflator - Hose NOT included
24	BP1504	Elbow Dump Check Valve Assembly





Item	Part No.	Description
1	PI-01	Screw
2	PI-02G	Shell, screw side
3	PI-03G	Shell, nut side
4	PI-04	Oral button
5	PI-05	Oral button washer
6	PI-06	Oral button spring
7	PI-07G	Mouthpiece
8	PI-08	Metal insert
9	R007	O-ring
10	PI-10	Schrader valve
11	PI-11	Button cover
12	PI-12	Button cover
13	PI-13-BK	Power button ring
14	R108	O-ring
15	PI-15	QD fitting
16	PI-16	Hose ring, black
17	R108	O-ring
18	PI-18	Metal pin
19	PI-19	Flex hose
20	PI-20	Elbow assembly
21	PI-21	Seat washer
22	PI-22	Plate/cable assembly
23	PI-23	Over pressure spring
24	PI-24G	Cap
25	PI-25	Tie wrap
26	PI-26	Manifold washer
27	PI-27	Hose clip
30	SLP150	Inflator hose, 26"
31	PI-31G	Housing
32	R905B	O-ring
33	PI-33	Nut
41	PI-41G	Sticker, small G-ball
42	PI-42	Manual rear dump assembly
	PI-50-GEN	Power inflator assembly
	INFLATOR	Complete assembly

**FOR REFERENCE ONLY**  
**SOME PARTS MAY NO LONGER BE AVAILABLE**  
**SOME TECHNICAL BULLETINS MAY APPLY TO THESE INFLATORS**

**FOR REFERENCE ONLY**  
**SOME PARTS MAY NO LONGER BE AVAILABLE**  
**SOME TECHNICAL BULLETINS MAY APPLY TO THESE INFLATORS**

Item	Part No.	Description
1	PP-01	Housing
2	PP-02	Mouthpiece
3	PP-03*	Power button
4	PP-04*	Spring
5	PP-05*	Stem housing
6	R112*	O-ring
7	R012*	O-ring
8	R006*	O-ring (2 required)
9	PP-09*	Stem
10	R011B*	O-ring
11	PP-11*	QD fitting, male
12	PP-12	Oral button
13	R116*	O-ring
14	PP-14	Oral button spring
15	R110*	O-ring
16	PP-16	Seat nut
17	PP-17	Retaining pin
18	PP-18*	Tie wraps
19	PP-19-S	Flex hose, 13"
	PP-19-M	Flex hose, 17"
	PP-19-L	Flex hose, 19"
	PP-19-XL	Flex hose, 21"
20	PP-20-S	Elbow/cable assembly, 13"
	PP-20-M	Elbow/cable assembly, 17"
	PP-20-L	Elbow/cable assembly, 19"
21	R210	O-ring
22	PP-22	Check valve retainer
23	PP-23	Check valve
24	PP-24	Cap
25	PP-25	Elbow gasket
26	PP-30	Manual rear dump assembly
27	GPP-50	Power inflator assembly (items 1-17)
28	20-660-200	Inflator valve T-tool
29	20-670-400	Dump nut & QD nipple tool
	PP-GEN-S	Complete assembly, 13"
	PP-GEN-M	Complete assembly, 17"
	GPP-KIT	Service Kit

\*Included in Service Kit

