

2001



**SPARE PARTS**  
**&**  
**SPECIALTY TOOLS**

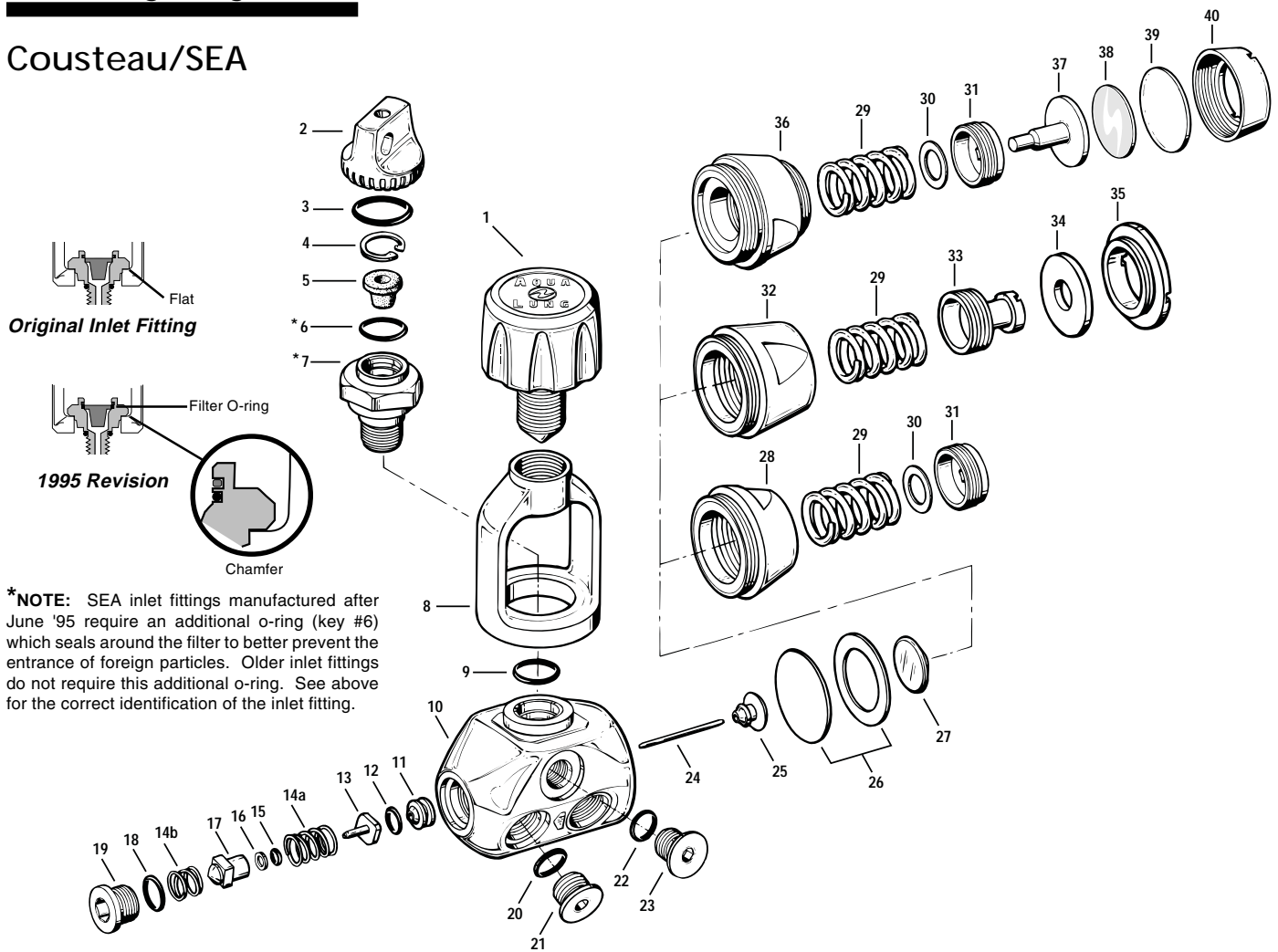
**CATALOG**



**FIRST STAGE  
REGULATORS**

# First-Stage Regulators

## Cousteau/SEA



\*NOTE: SEA inlet fittings manufactured after June '95 require an additional o-ring (key #6) which seals around the filter to better prevent the entrance of foreign particles. Older inlet fittings do not require this additional o-ring. See above for the correct identification of the inlet fitting.

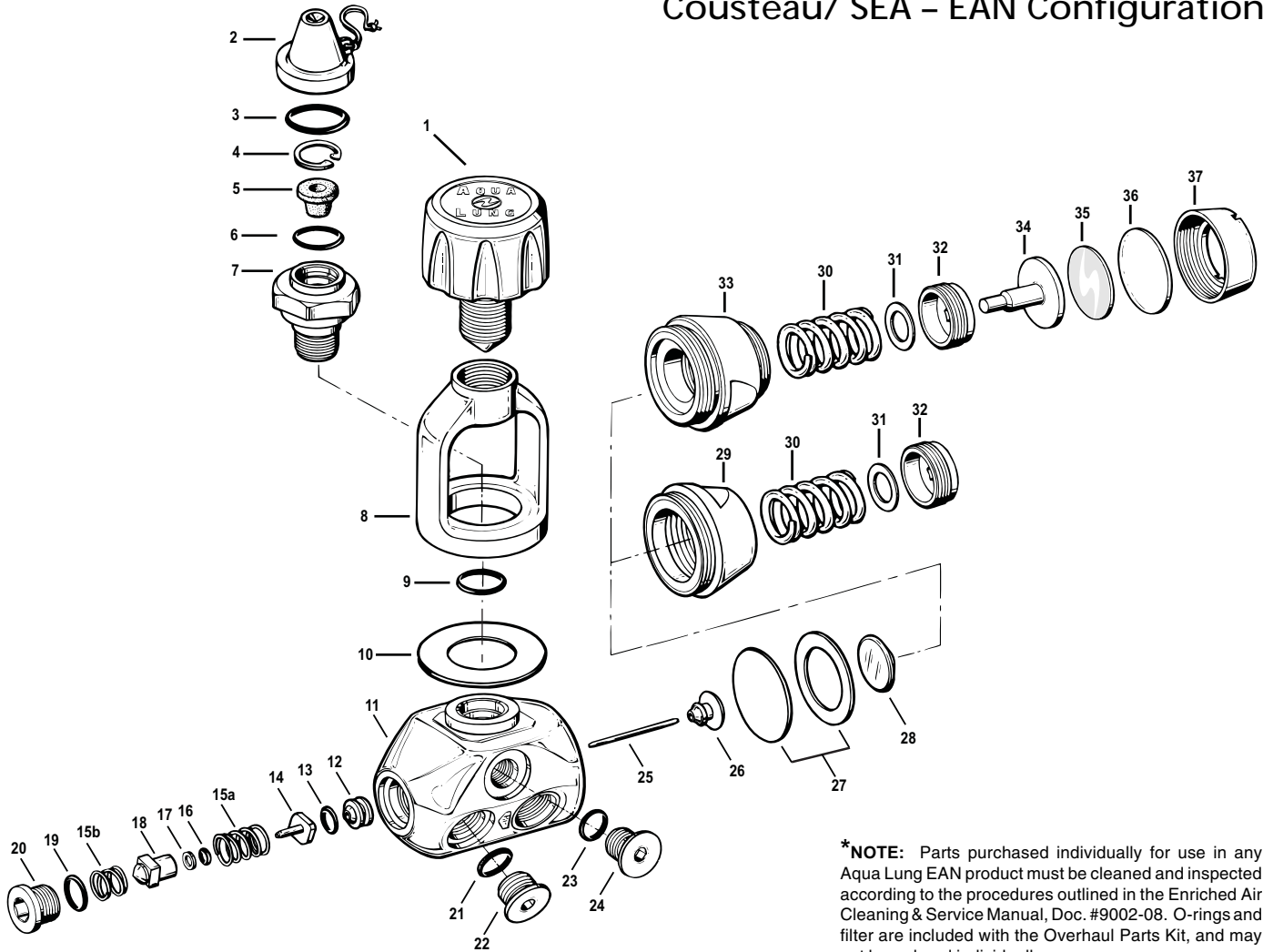
Key #	Part #	Description
----	100511	First Stage, Cousteau, Yoke
----	100521	First Stage, Cousteau Dry, Yoke
----	<b>900000</b>	<b>Overhaul Parts Kit</b>
1	107507	Yoke Screw
2	103114	Dust Cap
3	<b>820094</b>	<b>O-ring</b>
4	863051	Circlip
5	<b>106839</b>	<b>Filter</b>
6	<b>820014</b>	<b>O-ring</b>
7	106339	Inlet Fitting
8	106842	Yoke
9	<b>820013</b>	<b>O-ring</b>
10	106322	Body
11	106027	Crown
12	<b>820038</b>	<b>O-ring</b>
13	<b>105940</b>	<b>HP Seat</b>
14	101509	Spring Kit (includes 14a & 14b)
15	<b>820080</b>	<b>O-ring</b>
16	<b>828005</b>	<b>Backup Ring</b>
17	101565	Spring Block
18	<b>824407</b>	<b>O-ring</b>
19	106327	End Plug
20	<b>957004</b>	<b>O-ring</b>
21	106303	Port Plug, HP
22	<b>820011</b>	<b>O-ring</b>
23	106304	Port Plug, LP
24	106323	Pin
25	106022	Pin Support

Key #	Part #	Description
26	<b>103425</b>	<b>Diaphragm w/ Thrust Washer</b>
27	101729	Spring Pad
28	106324	Spring Retainer
29	106356	Spring
30	<b>845097</b>	<b>Washer</b>
31	106026	Adjustment Screw
Used on Externally Fine Adjustable SEA Supreme		
32	106316	Spring Retainer, Supreme
33	105936	Adjustment Screw, EFA Supreme
34	<b>108852</b>	<b>Secondary Diaphragm, EFA Supreme</b>
35	106018	Diaphragm Retainer
n/s	<b>108865</b>	<b>Silicone Fluid</b>
DRY Environmental Chamber (Cousteau or SEA)		
----	100525	Dry Environmental Kit, Complete
36	106317	Spring Retainer, Dry
37	106319	Piston
38	106338	Decal
39	<b>106337</b>	<b>External Diaphragm</b>
40	106318	Diaphragm Retainer

Part numbers in **BOLD ITALICS** indicate standard overhaul replacement part.

# First-Stage Regulators

## Cousteau/ SEA – EAN Configuration



**\*NOTE:** Parts purchased individually for use in any Aqua Lung EAN product must be cleaned and inspected according to the procedures outlined in the Enriched Air Cleaning & Service Manual, Doc. #9002-08. O-rings and filter are included with the Overhaul Parts Kit, and may not be ordered individually.

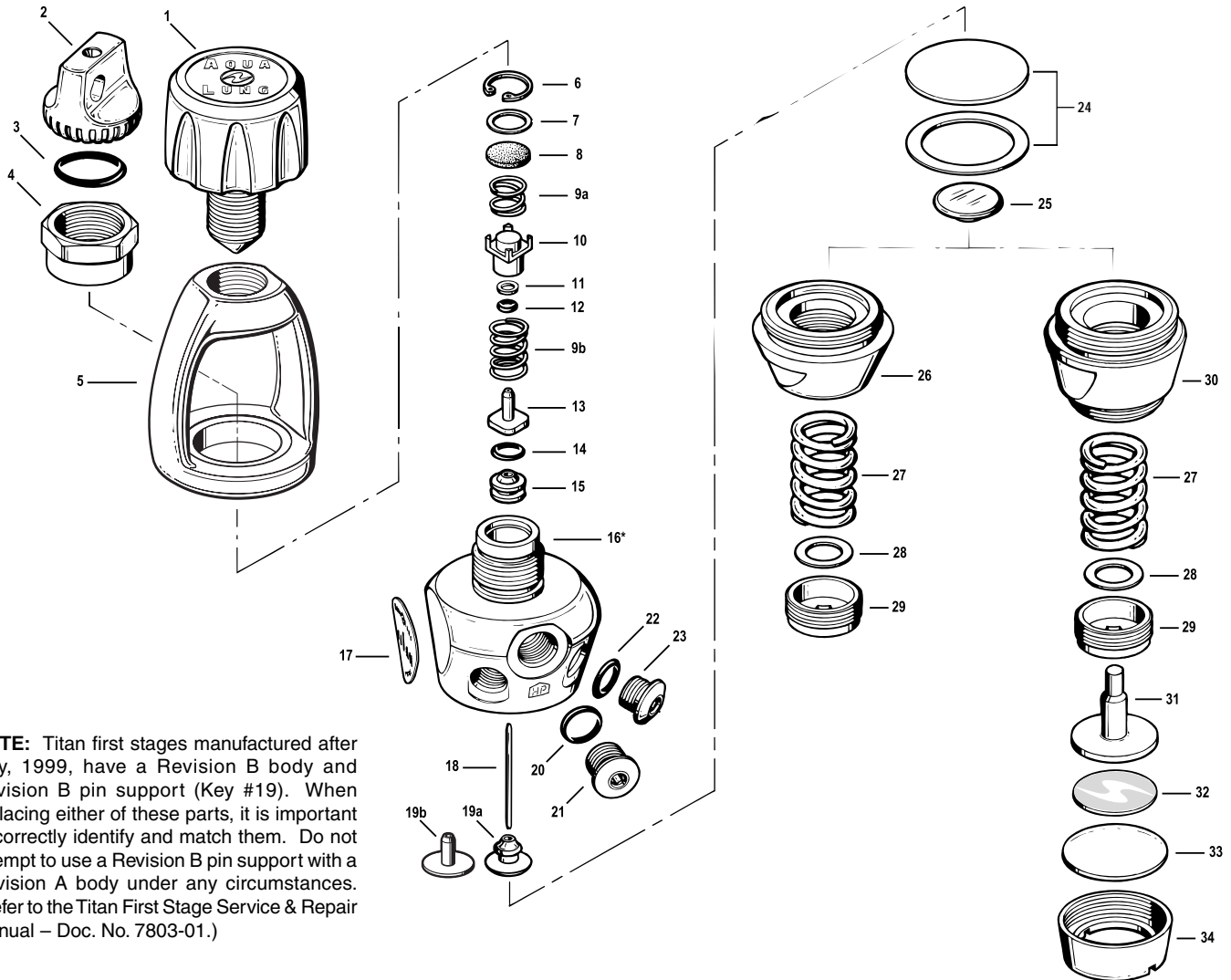
Key #	Part #	Description
----	900206	Overhaul Parts Kit, SEA-EAN 1st-stage only
----	900205	Overhaul Parts Kit, Cousteau D Impulse Cryo EAN, 1st & 2nd stages complete
1	107508	Yoke Screw
2	107326	Dust Cap, Green
3	<i>n/a*</i>	<b>O-ring (EAN)</b>
4	863051	Circlip
5	<i>n/a*</i>	<b>Filter, Conical</b>
6	<i>n/a*</i>	<b>O-ring (EAN)</b>
7	106339	Inlet Fitting
8	106842	Yoke
9	<i>n/a*</i>	<b>O-ring (EAN)</b>
10	107324	Color Ring, EAN
11	106322	Body
12	106027	Crown
13	<i>n/a*</i>	<b>O-ring (EAN)</b>
14	<b>105940</b>	<b>HP Seat</b>
15	101509	Spring Kit (includes 15a & 15b)
16	<i>n/a*</i>	<b>O-ring (EAN)</b>
17	<b>828005</b>	<b>Back-up Ring</b>
18	101565	Spring Block
19	<i>n/a*</i>	<b>O-ring (EAN)</b>
20	106327	Plug

Key #	Part #	Description
21	<i>n/a*</i>	<b>O-ring (EAN)</b>
22	106303	Port Plug, High Pressure
23	<i>n/a*</i>	<b>O-ring (EAN)</b>
24	106304	Port Plug, Low Pressure
25	106323	Pin
26	106022	Pin Support
27	<b>103425</b>	<b>Diaphragm w/ Thrust Washer</b>
28	101728	Spring Pad
29	106324	Spring Retainer
30	106356	Main Spring
31	845097	Washer, Main Spring
32	106026	Adjustment Screw
<b>DRY Environmental Chamber (Cousteau or SEA)</b>		
----	100525	Dry Environmental Kit, Complete
33	106317	Spring Retainer
34	106319	Piston
35	106338	Decal
36	<b>106337</b>	<b>External Diaphragm</b>
37	106318	Diaphragm Retainer

Part numbers in **BOLD ITALICS** indicate standard overhaul replacement part.

# First-Stage Regulators

## Titan



\*NOTE: Titan first stages manufactured after July, 1999, have a Revision B body and Revision B pin support (Key #19). When replacing either of these parts, it is important to correctly identify and match them. Do not attempt to use a Revision B pin support with a Revision A body under any circumstances. (Refer to the Titan First Stage Service & Repair Manual – Doc. No. 7803-01.)

Key #	Part #	Description
----	103111	First Stage, Titan, Yoke
----	103191	First Stage, Titan Dry, Yoke
----	<b>900001</b>	<b>Overhaul Parts Kit</b>
1 ----	107507	Yoke Screw
2 ----	103114	Dust Cap
<b>3 ----</b>	<b>820094</b>	<b>O-ring</b>
4 ----	103162	Yoke Retainer
5 ----	106843	Yoke
<b>6 ----</b>	<b>863051</b>	<b>Circlip</b>
<b>7 ----</b>	<b>845095</b>	<b>Washer</b>
<b>8 ----</b>	<b>105106</b>	<b>Filter</b>
9 ----	101509	Spring Kit (includes 9a & 9b)
10 ----	105324	Spring Block
<b>11 ----</b>	<b>828005</b>	<b>Backup Ring</b>
<b>12 ----</b>	<b>820080</b>	<b>O-ring</b>
<b>13 ----</b>	<b>105940</b>	<b>HP Seat</b>
<b>14 ----</b>	<b>820038</b>	<b>O-ring</b>
15 ----	106027	Crown
16 ----	103101	Body, Revision B (see *NOTE)
17 ----	103182	Decal, Titan
----	103184	Decal, Impulse
----	103185	Decal, Micra
18 ----	102002	Pin
19a ----	106022	Pin Support (Revision A Configuration)

Key #	Part #	Description
19b ----	101569	Pin Support (Revision B Configuration)
<b>20 ----</b>	<b>957004</b>	<b>O-ring (7/16" HP Port)</b>
21 ----	103137	Port Plug, High Pressure
<b>22 ----</b>	<b>820011</b>	<b>O-ring (3/8" Port)</b>
23 ----	103133	Port Plug, Low Pressure
<b>24 ----</b>	<b>103425</b>	<b>Diaphragm w/ Thrust Washer</b>
25 ----	101729	Spring Pad
26 ----	103104	Spring Retainer
27 ----	106356	Spring
28 ----	845097	Washer
29 ----	106026	Adjustment Screw

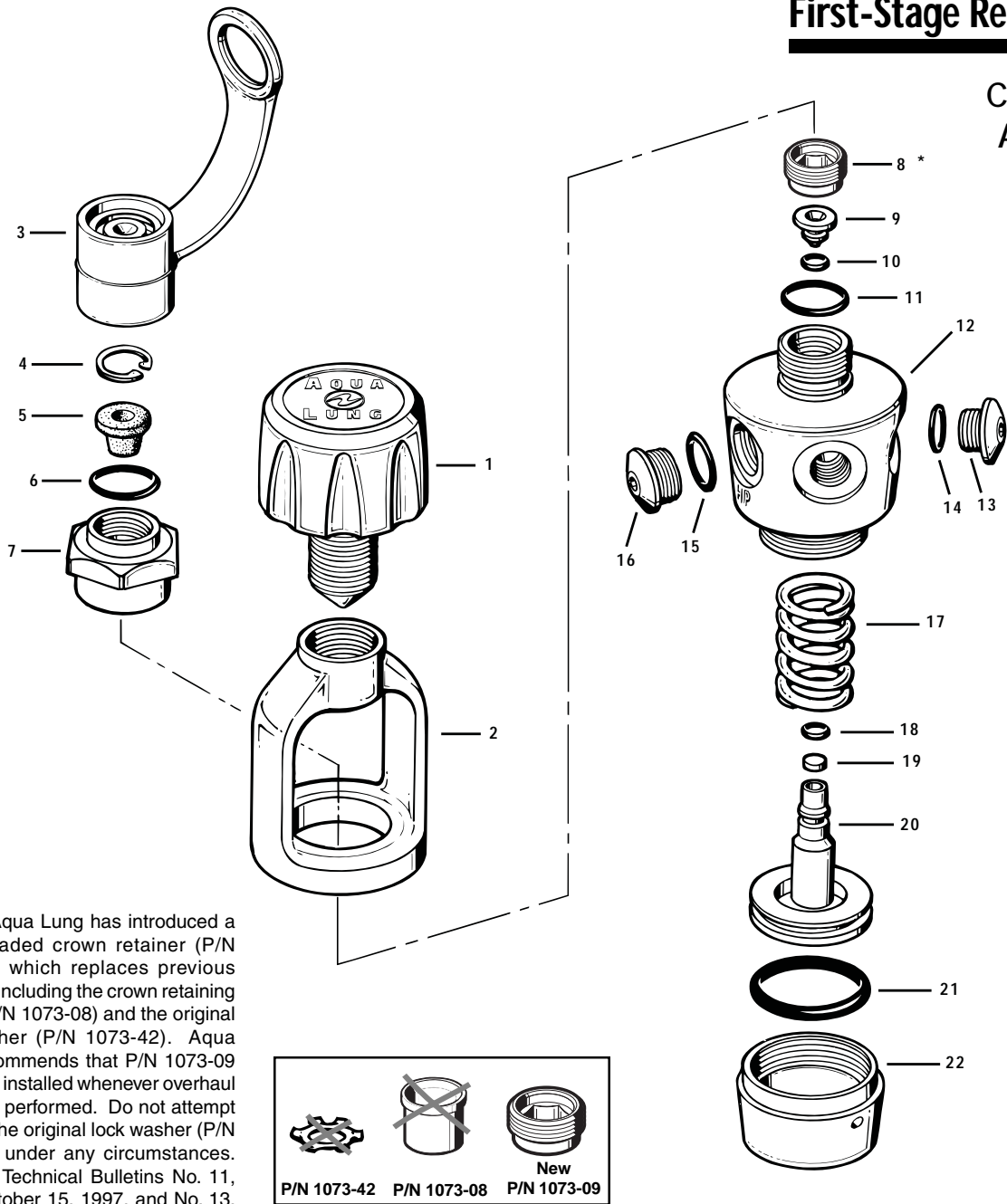
### Used with "Dry" Environmental Kit

---- 100525 Dry Environmental Kit, Complete

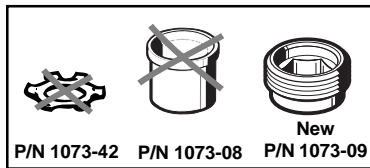
30 Part numbers in **BOLD ITALICS** indicate standard overhaul replacement part.

# First-Stage Regulators

Calypso &  
Aquarius  
(1994-97  
Model)



**\*\*NOTE:** Aqua Lung has introduced a new threaded crown retainer (P/N 1073-09) which replaces previous versions, including the crown retaining sleeve (P/N 1073-08) and the original lock washer (P/N 1073-42). Aqua Lung recommends that P/N 1073-09 should be installed whenever overhaul service is performed. Do not attempt to reuse the original lock washer (P/N 1073-42) under any circumstances. (Refer to Technical Bulletins No. 11, dated October 15, 1997, and No. 13, dated June 15, 1999.)



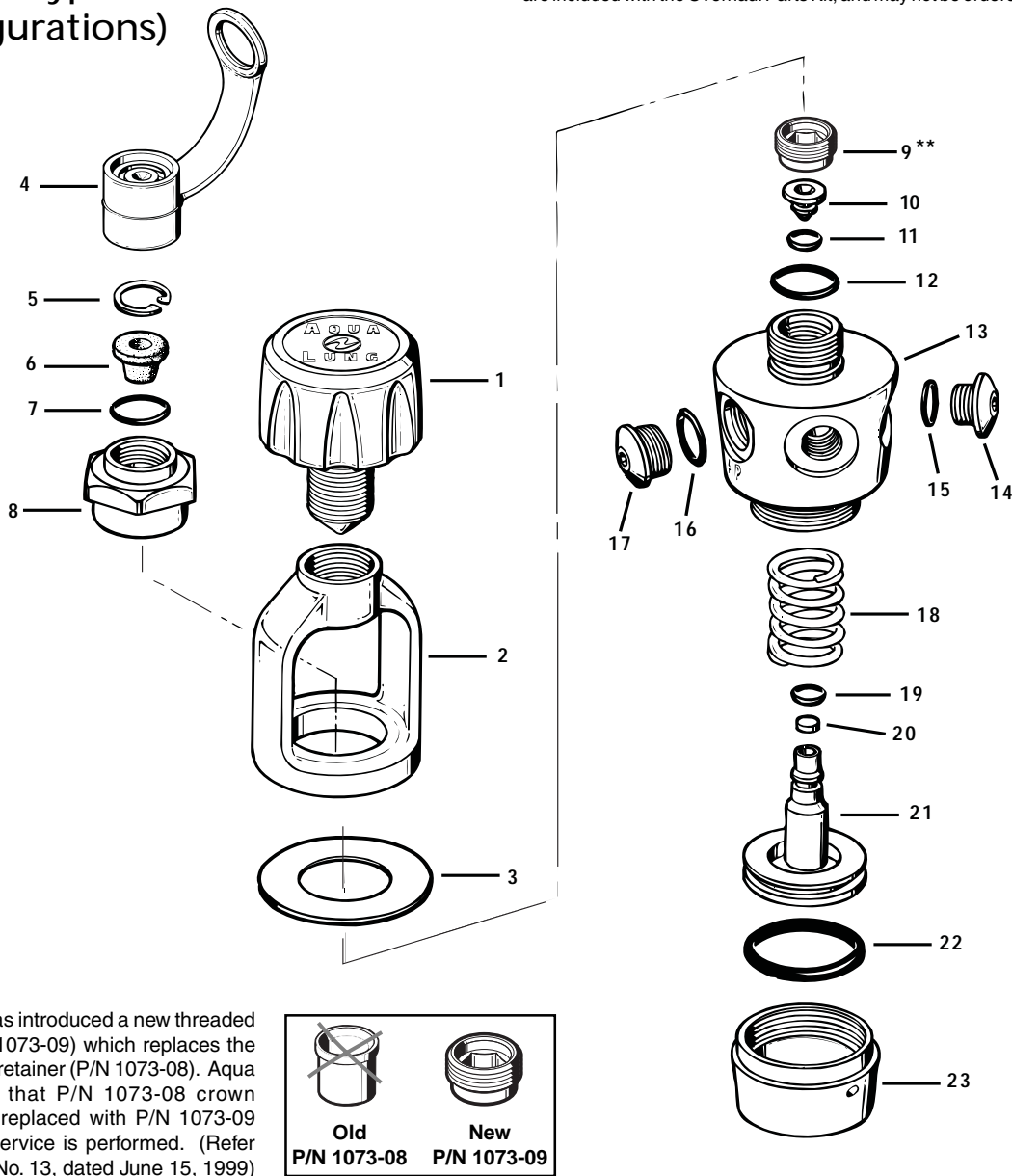
Key #	Part #	Description	Key #	Part #	Description
----	105111	First Stage, Calypso, Yoke	12----	105101	Body, Calypso
----	107362	First Stage, Aquarius	----	107301	Body, Aquarius
----	<b>900002</b>	<b>Overhaul Parts Kit</b>	13----	103133	LP Port Plug
1----	107507	Yoke Screw	<b>14----</b>	<b>820011</b>	<b>O-ring</b>
2----	106843	Yoke, Calypso	<b>15----</b>	<b>957004</b>	<b>O-ring</b>
----	106842	Yoke, Aquarius	16----	103137	HP Port Plug
3----	105162	Dust Cap	17----	106771	Spring
4----	863051	Circlip	<b>18----</b>	<b>820007</b>	<b>O-ring</b>
<b>5----</b>	<b>106839</b>	<b>Filter</b>	<b>19----</b>	<b>106726</b>	<b>HP Seat</b>
<b>6----</b>	<b>820014</b>	<b>O-ring</b>	20----	106769	Piston
7----	106736	Yoke Retainer	<b>21----</b>	<b>820062</b>	<b>O-ring</b>
8----	107309*	Crown Retainer	22----	105102	Piston Cap, Calypso
9----	106767	Crown	----	107313	Piston Cap, Aquarius
<b>10----</b>	<b>820007</b>	<b>O-ring</b>			
<b>11----</b>	<b>820088</b>	<b>O-ring</b>			

Part numbers in **BOLD ITALICS** indicate standard overhaul replacement part.

# First-Stage Regulators

## Aquarius & Calypso (EAN Configurations)

**\*NOTE:** Parts purchased individually for use in any Aqua Lung EAN product must be cleaned and inspected according to the procedures outlined in the Enriched Air Cleaning & Service Manual, Doc. #9002-08. O-rings and filters are included with the Overhaul Parts Kit, and may not be ordered individually.



**\*\*NOTE:** Aqua Lung has introduced a new threaded crown retainer (P/N 1073-09) which replaces the sleeve version crown retainer (P/N 1073-08). Aqua Lung recommends that P/N 1073-08 crown retainers should be replaced with P/N 1073-09 whenever overhaul service is performed. (Refer to Technical Bulletin No. 13, dated June 15, 1999)

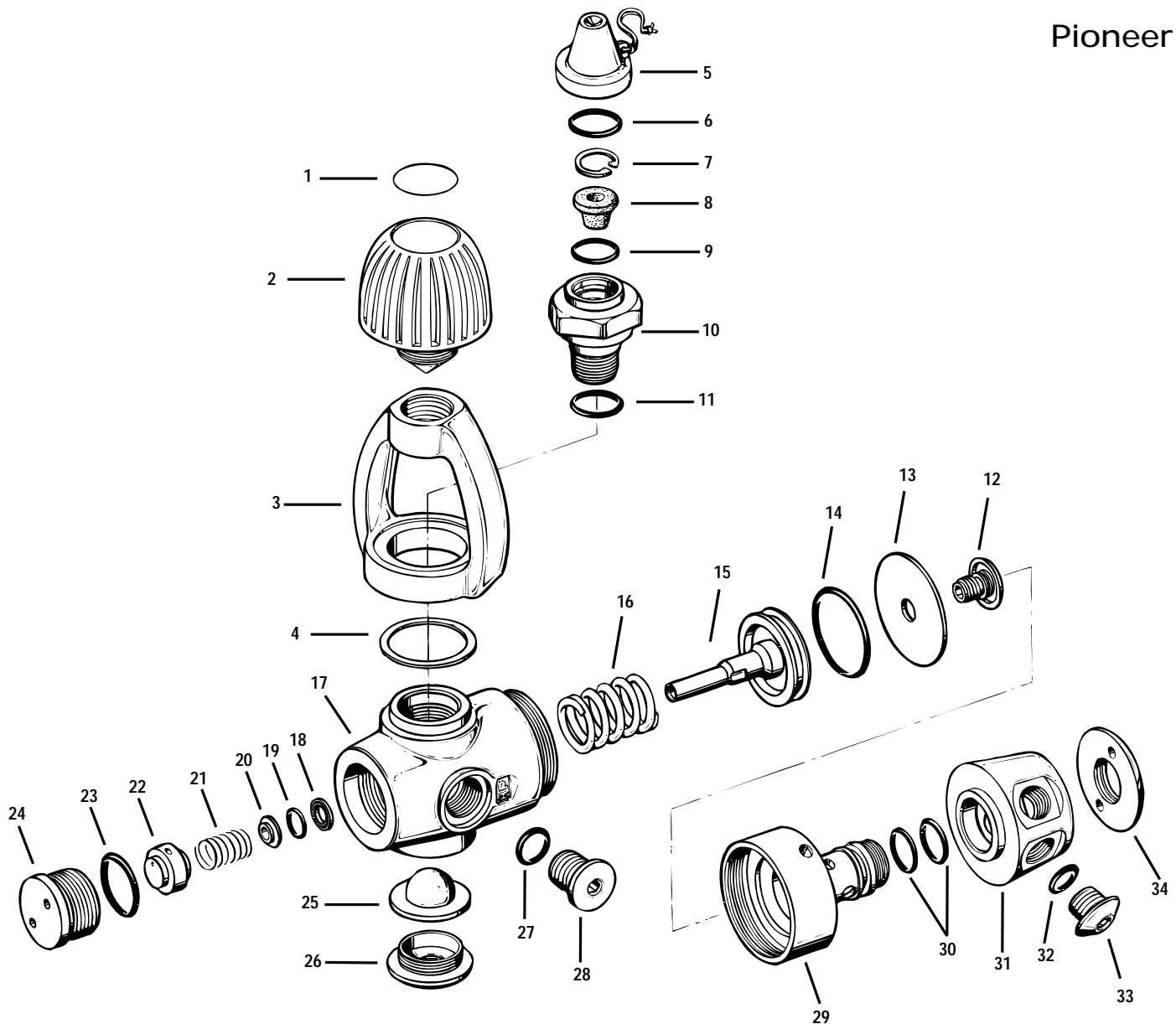
Key #	Part #	Description	Key #	Part #	Description
	<b>900204</b>	<b>Overhaul Parts Kit</b>	14	103133	LP Port Plug, Calypso
1	107508	Yoke Screw, Calypso, Green	<b>15</b>	<b>n/a*</b>	<b>O-ring (EAN)</b>
2	106842	Yoke, Aquarius	<b>16</b>	<b>n/a*</b>	<b>O-ring (EAN)</b>
	106843	Yoke, Calypso	17	103137	HP Port Plug, Calypso
3	107324	Color Ring, EAN	18	106771	Spring
4	105162	Dust Cap	<b>19</b>	<b>n/a*</b>	<b>O-ring (EAN)</b>
5	863051	Circlip	<b>20</b>	<b>106726</b>	<b>HP Seat</b>
<b>6</b>	<b>n/a*</b>	<b>Conical Filter</b>	21	106769	Piston
<b>7</b>	<b>n/a*</b>	<b>O-ring (EAN)</b>	<b>22</b>	<b>n/a*</b>	<b>O-ring (EAN)</b>
8	106736	Yoke Retainer	23	107313	Piston Cap, Aquarius
9	107309**	Crown Retainer		105102	Piston Cap, Calypso
10	106767	Crown			
<b>11</b>	<b>n/a*</b>	<b>O-ring (EAN)</b>			
<b>12</b>	<b>n/a*</b>	<b>O-ring (EAN)</b>			
13	107301	Body, Aquarius			
	105101	Body, Calypso			

Part numbers in **BOLD ITALICS** indicate standard overhaul replacement part.



# First-Stage Regulators

Pioneer



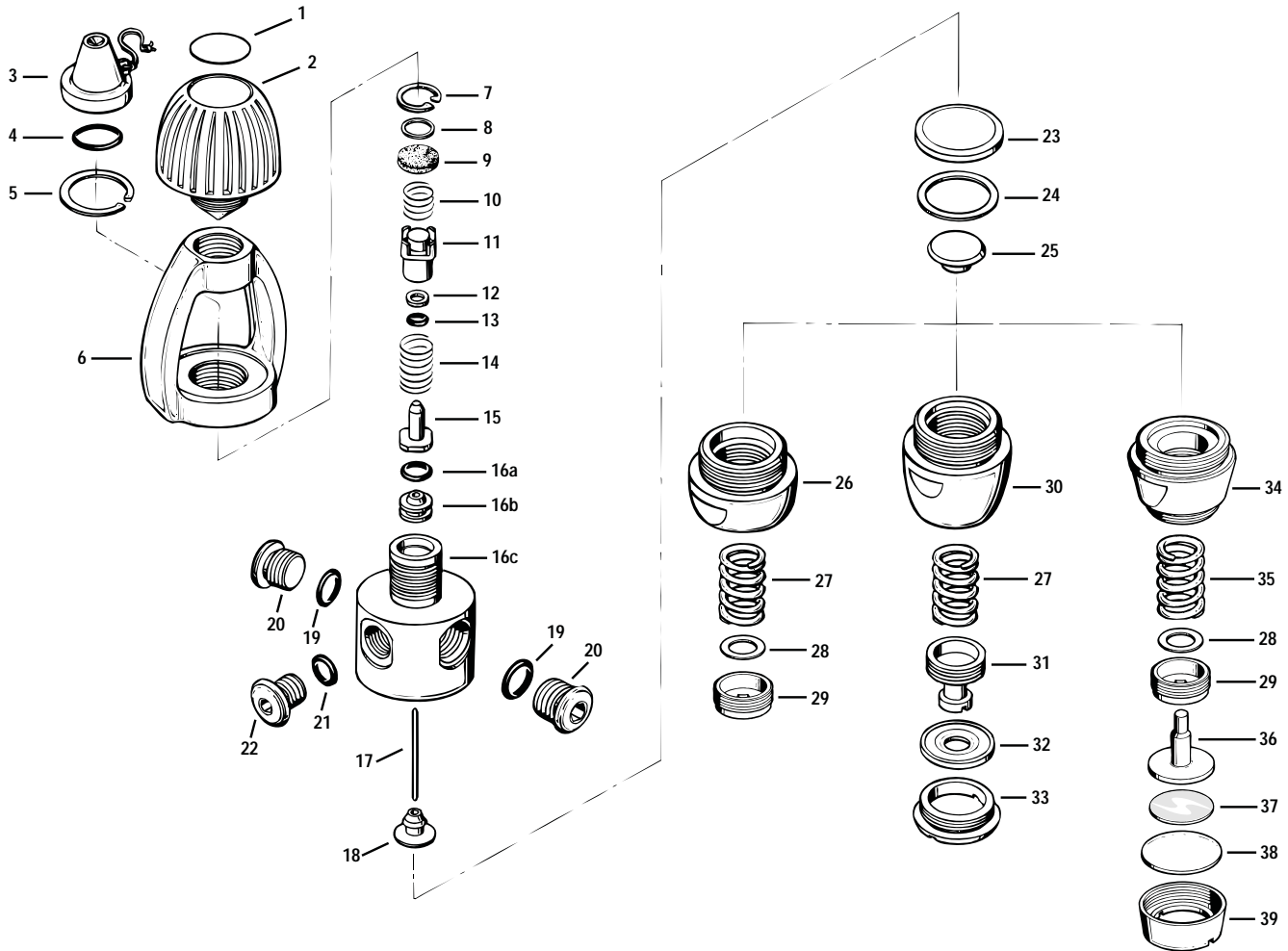
Key #	Part #	Description
----	NLA	First Stage, Pioneer
1	100388	Decal
2	107506	Yoke Screw
3	106842	Yoke
4	107759	Yoke Washer
5	101012	Dust Cap
<b>6</b>	<b>820120</b>	<b>O-ring</b>
7	863051	Circlip
<b>8</b>	<b>106839</b>	<b>Conical Filter</b>
<b>9</b>	<b>820014</b>	<b>O-ring</b>
10	106339	Inlet Fitting
<b>11</b>	<b>824406</b>	<b>O-ring</b>
12	107707	Diaphragm Retainer
<b>13</b>	<b>107708</b>	<b>Diaphragm</b>
<b>14</b>	<b>820062</b>	<b>O-ring</b>
15	107703	Piston
16	106771	Main Spring
17	107704	Body
<b>18</b>	<b>107758</b>	<b>Backup Ring</b>

Key #	Part #	Description
<b>19</b>	<b>106821</b>	<b>O-ring</b>
20	106825	Thrust Bearing
21	106723	Spring
<b>22</b>	<b>106826</b>	<b>HP Seat</b>
<b>23</b>	<b>820018</b>	<b>O-ring</b>
24	106828	End Plug
<b>25</b>	<b>107752</b>	<b>External Diaphragm</b>
26	107753	Diaphragm Retainer
<b>27</b>	<b>957004</b>	<b>O-ring</b>
28	106303	HP Port Plug
29	106816	Piston Cap
<b>30</b>	<b>820014</b>	<b>O-ring</b>
31	106819	Swivel Cap
<b>32</b>	<b>820011</b>	<b>O-ring</b>
33	104304	LP Port Plug
34	106833	Swivel Retainer
n/s	<b>108865</b>	<b>Silicone Oil</b>

Part numbers in **BOLD ITALICS** indicate standard overhaul replacement part.

# First-Stage Regulators

## Conshelf SE3 w/ Removable Crown



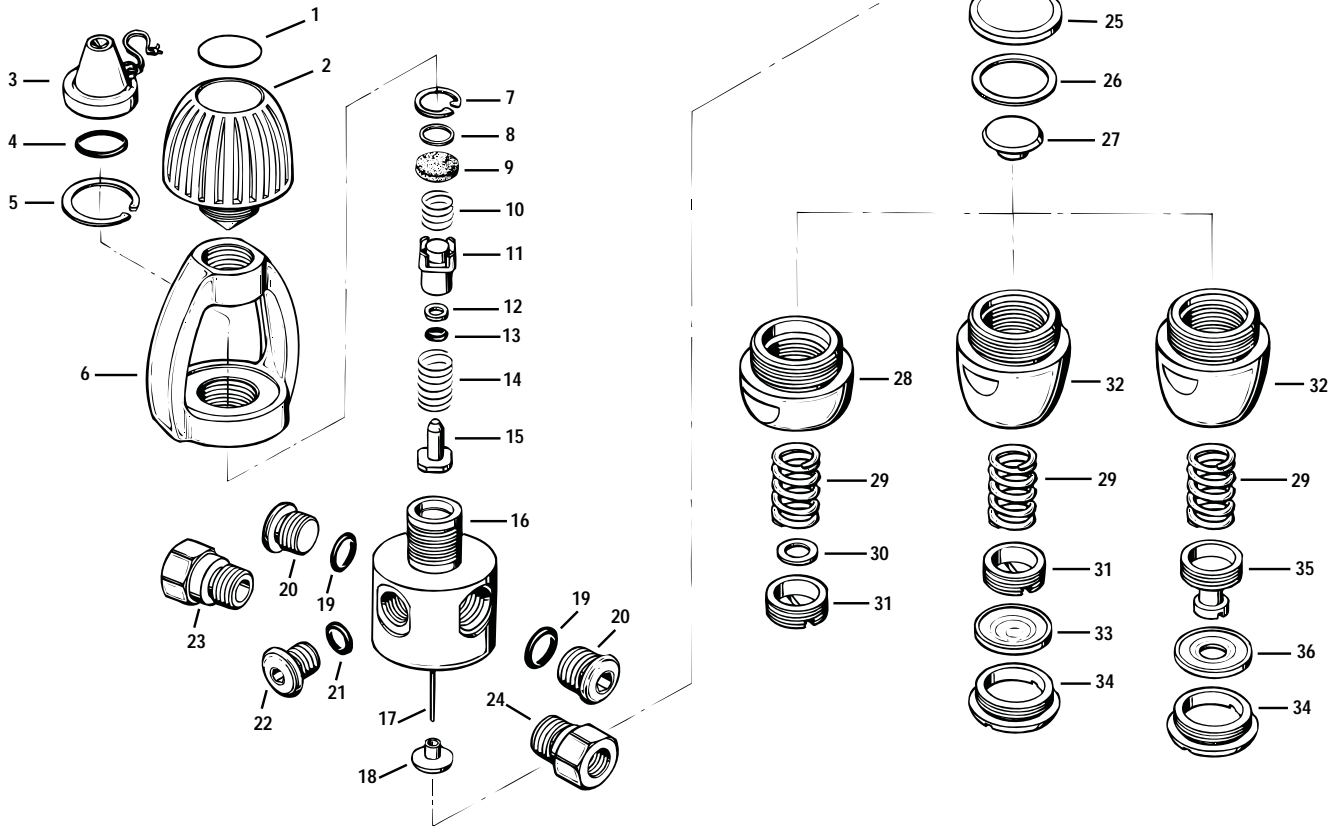
Key #	Part #	Description
----	<b>900001</b>	<b>Overhaul Parts Kit, non-Supreme</b>
1	100388	Decal
2	107506	Yoke Screw
3	101012	Dust Cap
4	<b>820120</b>	<b>O-ring</b>
5	861068	Retaining Ring
6	700418	Yoke
7	<b>863051</b>	<b>Retaining Ring</b>
8	<b>845095</b>	<b>Washer, Filter</b>
9	<b>105106</b>	<b>Filter</b>
10	104613	Spring
11	105324	Spring Block
12	<b>828005</b>	<b>Back-up Ring</b>
13	<b>820080</b>	<b>O-ring</b>
14	101504	Spring
15	<b>105940</b>	<b>HP Seat</b>
16a	<b>820038</b>	<b>O-ring</b>
16b	106027	Crown
16c	100301	Body
17	106323	Pin
18	106022	Pin Support
19	<b>957025</b>	<b>O-ring (1/2" Port)</b>
19	<b>820011</b>	<b>O-ring (3/8" Port)</b>
20	102004	Port Plug, Low Pressure, 1/2"
	104304	Port Plug, Low Pressure, 3/8"
21	<b>957004</b>	<b>O-ring (7/16" HP Port)</b>
22	102003	Port Plug, High Pressure

Key #	Part #	Description
23	<b>103429</b>	<b>Diaphragm</b>
24	<b>821026</b>	<b>Thrust Washer</b>
25	101728	Spring Pad
26	105926	Spring Retainer
27	105327	Spring
28	845097	Washer, Main Spring (non-Supreme only)
29	106026	Adjustment Screw
Used on Externally Fine Adjustable Supreme		
30	105927	Spring Retainer, Supreme
31	105936	Adjustment Screw, EFA Supreme
32	<b>108852</b>	<b>Secondary Diaphragm, EFA Supreme</b>
33	108854	Diaphragm Retainer, Supreme
n/s	<b>108865</b>	<b>Silicone Fluid, 2 oz.</b>
DRY Environmental Chamber		
	100525	Dry Environmental Kit, Conshelf, Complete
34	106317	Spring Retainer
35	106356	Spring
36	106319	Piston
37	106338	Decal
38	<b>106337</b>	<b>External Diaphragm</b>
39	106318	Diaphragm Retainer

Part numbers in **BOLD ITALICS** indicate standard overhaul replacement part.

# First-Stage Regulators

## Conshelf SE3, SE2, SE3 & SE2 Supreme



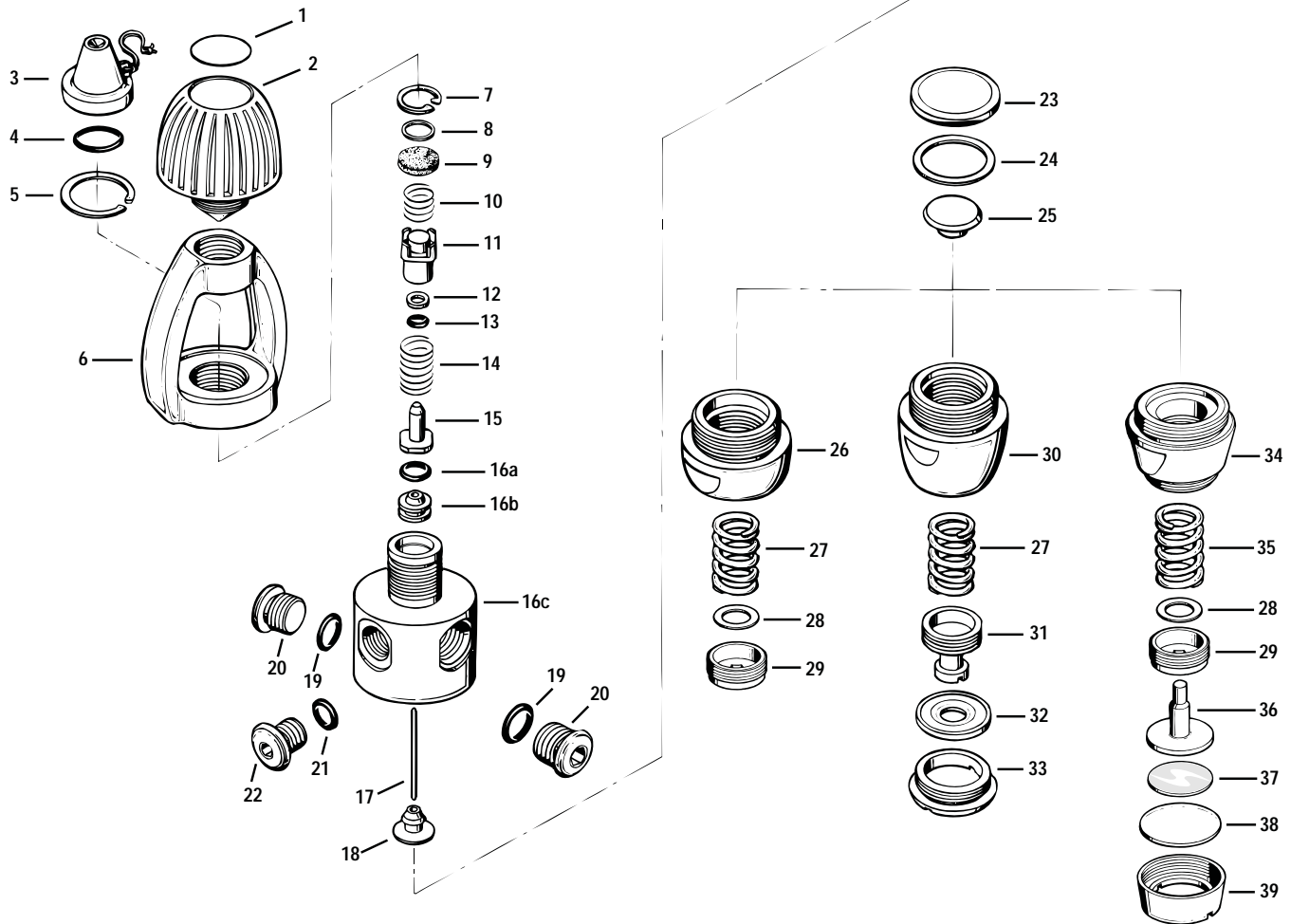
Key #	Part #	Description
----	100361	First-Stage, SE3 (w/ fixed crown)
----	<b>900001</b>	<b>Overhaul Parts Kit</b>
----	<b>107495</b>	<b>Overhaul Parts Kit, Milit. SE2 (1st &amp; 2nd)</b>
1	100388	Decal
2	107506	Yoke Screw
3	101012	Dust Cap
4	<b>820120</b>	<b>O-ring</b>
5	861068	Retaining Ring
6	700418	Yoke
7	<b>863051</b>	<b>Retaining Ring</b>
8	<b>845095</b>	<b>Washer, Filter</b>
9	<b>105106</b>	<b>Filter</b>
10	104613	Spring
11	105324	Spring Block
12	<b>828005</b>	<b>Back-up Ring</b>
13	<b>820080</b>	<b>O-ring</b>
14	101504	Spring
15	<b>105940</b>	<b>HP Seat</b>
16	100312	Body (includes removable crown)
17	102002	Pin
18	101569	Pin Support
19	<b>957025</b>	<b>O-ring (1/2" Port)</b>
	<b>820011</b>	<b>O-ring (3/8" Port)</b>
20	102004	Port Plug, Low Pressure, 1/2"
	104304	Port Plug, Low Pressure, 3/8"
21	<b>957004</b>	<b>O-ring (7/16" HP Port)</b>
22	102003	Port Plug, High Pressure
23	102085	Adapter, HP, 3/8" Fem. to 7/16" Male

Key #	Part #	Description
24	NLA	Adapter, LP, 3/8" Fem. to 1/2" Male
25	<b>103429</b>	<b>Diaphragm</b>
26	<b>821026</b>	<b>Thrust Washer</b>
27	101728	Spring Pad
28	105926	Spring Retainer (fine thread)
	105326	Spring Retainer (coarse thread)
29	105327	Spring (fine & coarse thread non-Supreme)
30	845097	Washer, Main Spring (non-supremes only)
31	106023	Adjustment Screw (fine thread)
	101549	Adjustment Screw (coarse thread)
<b>Used on Supreme Models</b>		
29	105944	Spring (coarse thread Supreme only)
	105327	Spring (fine thread & EFA Supreme)
32	105927	Spring Retainer, Supreme (fine thread)
	108851	Spring Retainer, Supreme (coarse thread)
33	<b>108853</b>	<b>Secondary Diaphragm, Supreme</b>
34	108854	Diaphragm Retainer, Supreme
n/s	<b>108865</b>	<b>Silicone Fluid, 2 oz.</b>
<b>Used Only on Externally Fine Adjustable Supreme</b>		
35	105936	Adjustment Screw, EFA Supreme
36	<b>108852</b>	<b>Secondary Diaphragm, EFA Supreme</b>

Part numbers in **BOLD ITALICS** indicate standard overhaul replacement part.

# First-Stage Regulators

## Conshelf 22 w/ Removable Crown



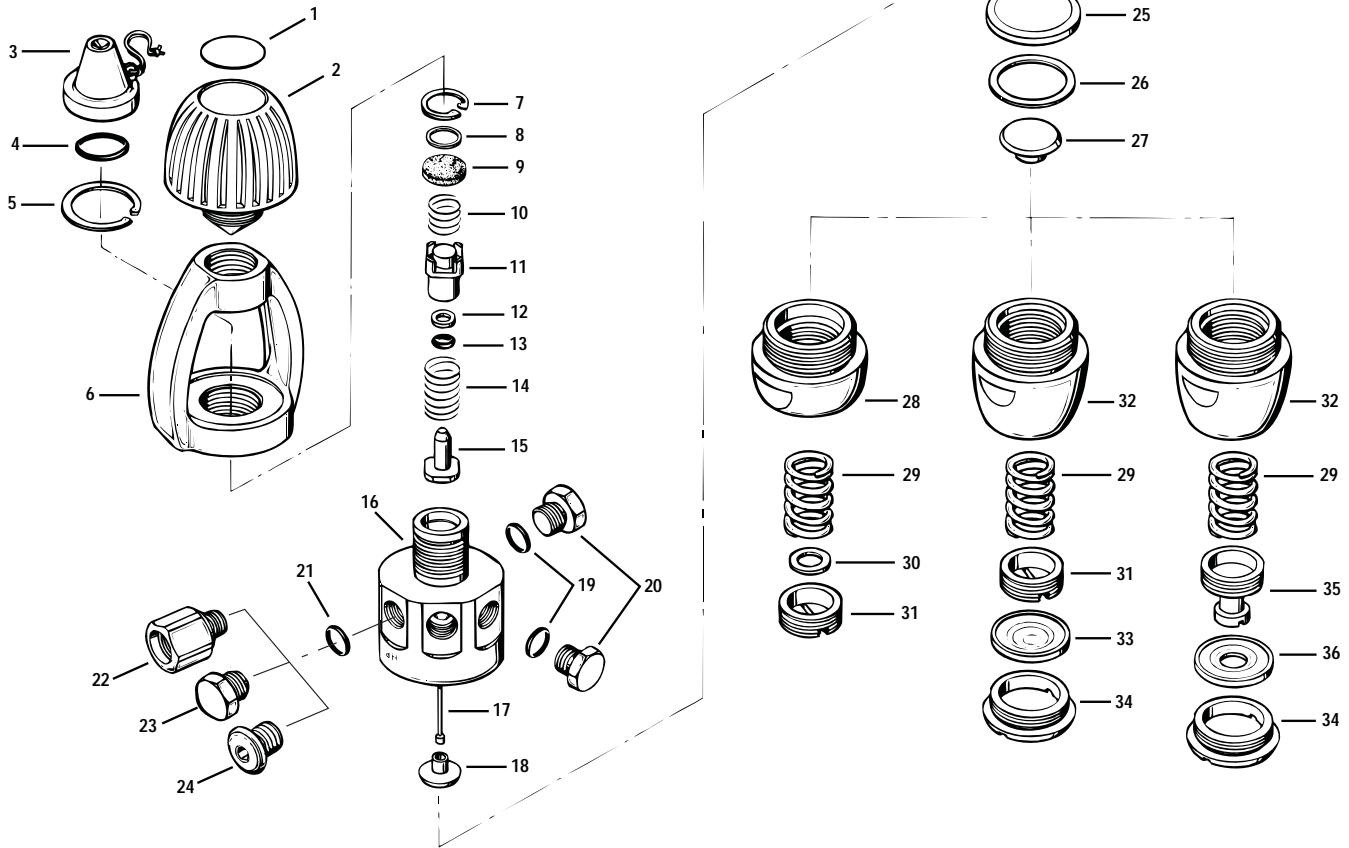
Key #	Part #	Description
----	<b>900001</b>	<b>Overhaul Parts Kit, non-Supreme</b>
1	100388	Decal
2	107506	Yoke Screw
3	101012	Dust Cap
4	<b>820120</b>	<b>O-ring</b>
5	861068	Retaining Ring
6	700418	Yoke
7	<b>863051</b>	<b>Retaining Ring</b>
8	<b>845095</b>	<b>Washer, Filter</b>
9	<b>105106</b>	<b>Filter</b>
10	104613	Spring
11	105324	Spring Block
12	<b>828005</b>	<b>Back-up Ring</b>
13	<b>820080</b>	<b>O-ring</b>
14	101504	Spring
15	<b>105940</b>	<b>HP Seat</b>
16a	<b>820038</b>	<b>O-ring</b>
16b	106027	Crown
16c	100309	Body
17	102002	Pin
18	106022	Pin Support
19	<b>957025</b>	<b>O-ring (1/2" Port)</b>
	<b>820011</b>	<b>O-ring (3/8" Port)</b>
20	102004	Port Plug, Low Pressure, 1/2"
	104304	Port Plug, Low Pressure, 3/8"
21	<b>957004</b>	<b>O-ring (7/16" HP Port)</b>
22	102003	Port Plug, High Pressure
23	<b>103429</b>	<b>Diaphragm</b>

Key #	Part #	Description
24	<b>821026</b>	<b>Thrust Washer</b>
25	101728	Spring Pad
26	105926	Spring Retainer
27	105327	Spring
28	845097	Washer, Main Spring (non-Supreme only)
29	106026	Adjustment Screw
Used on Externally Fine Adjustable Supreme		
30	105927	Spring Retainer, Supreme
31	105936	Adjustment Screw, EFA Supreme
32	<b>108852</b>	<b>Secondary Diaphragm, EFA Supreme</b>
33	108854	Diaphragm Retainer, Supreme
n/s	<b>108865</b>	<b>Silicone Fluid, 2 oz.</b>
DRY Environmental Chamber		
----	100525	Dry Environmental Kit, Conshelf, Complete
34	106317	Spring Retainer
35	106356	Spring
36	106319	Piston
37	106338	Decal
38	<b>106337</b>	<b>External Diaphragm</b>
39	106318	Diaphragm Retainer

Part numbers in **BOLD ITALICS** indicate standard overhaul replacement part.

# First-Stage Regulators

## Conshelf 22, 21, 20, XIV, XIV Supreme



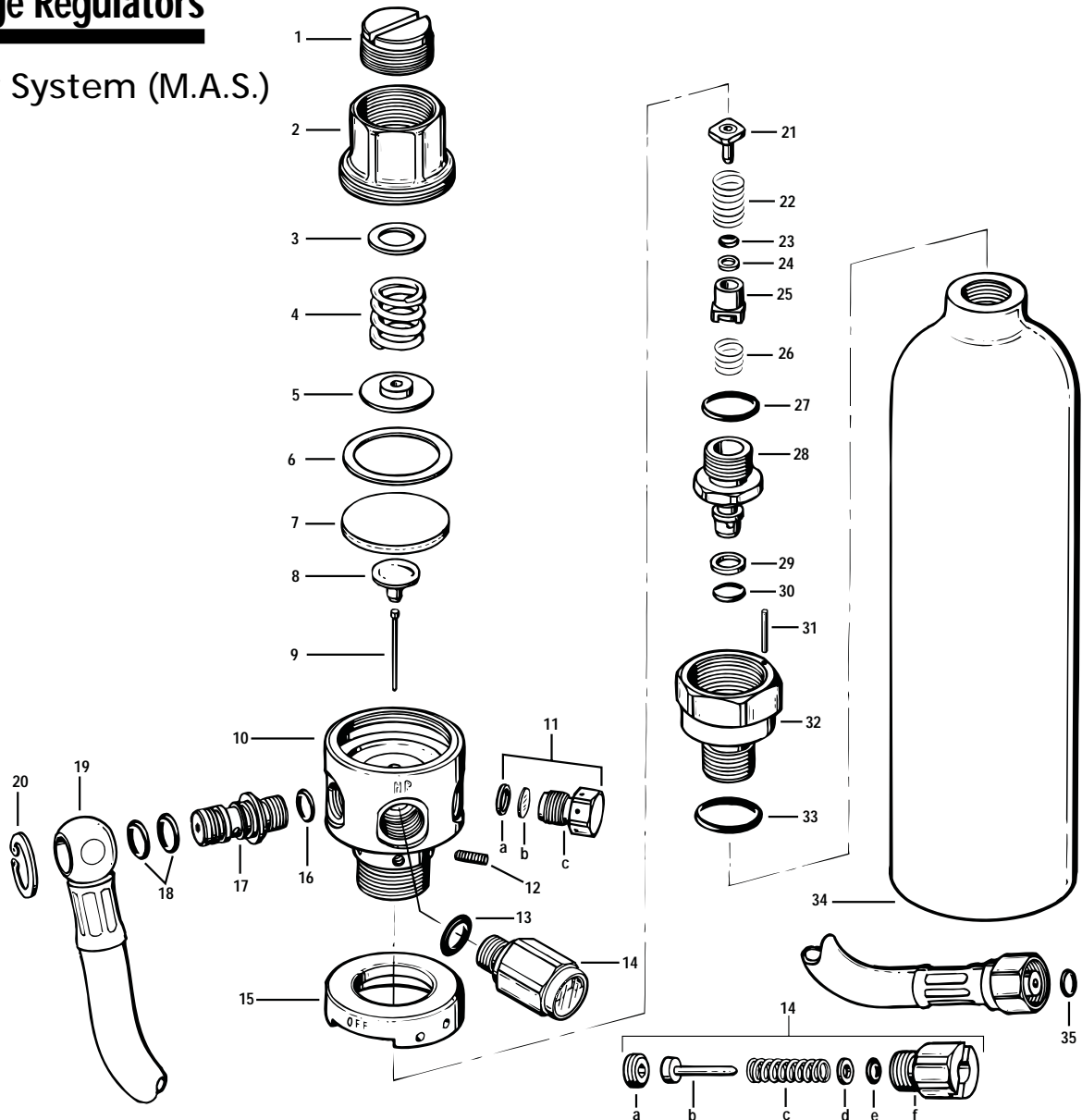
Key #	Part #	Description
----	107700	First-Stage, Conshelf XIV
----	108810	First-Stage, Conshelf XIV Supreme
----	NLA	First-Stage, Conshelf 21 & 22
----	NLA	First-Stage, Conshelf 21 & 22 Supreme
----	<b>900001</b>	<b>Overhaul Parts Kit, non-Supreme</b>
----	<b>108195</b>	<b>Overhaul Kit, Milit. Conshlf XIV (1st &amp; 2nd)</b>
1	100388	Decal
2	107506	Yoke Screw
3	101012	Dust Cap
<b>4</b>	<b>820120</b>	<b>O-Ring</b>
5	861068	Retaining Ring
6	700418	Yoke
7	863051	Retaining Ring
<b>8</b>	<b>845095</b>	<b>Washer, Filter</b>
<b>9</b>	<b>105106</b>	<b>Filter</b>
10	104613	Spring
11	105324	Spring Block
<b>12</b>	<b>828005</b>	<b>Back-up Ring</b>
<b>13</b>	<b>820080</b>	<b>O-ring</b>
14	101504	Spring
<b>15</b>	<b>105940</b>	<b>Seat</b>
16	105333	Body, Conshelf XIV
----	100712	Body, Conshelf 21&22 (w/removable crown)
17	105323	Pin
18	101727	Pin Support
<b>19</b>	<b>820011</b>	<b>O-ring, 3/8" port</b>
20	910912	Port Plug, LP, Conshelf XIV
----	104304	Port Plug, LP, Conshelf 20, 21, 22
<b>21</b>	<b>957004</b>	<b>O-ring, 7/16" HP Port</b>
----	<b>820011</b>	<b>O-ring, 3/8" HP Port (Con XIV, pre-1998)</b>

Key #	Part #	Description
22	101785	Adapter, HP, 7/16" Fem. to 3/8" Male
23	910912	Port Plug, HP, 3/8" (Con. XIV, pre-1998)
24	102003	Port Plug, HP, 7/16"
<b>25</b>	<b>103429</b>	<b>Diaphragm</b>
<b>26</b>	<b>821026</b>	<b>Thrust Washer</b>
27	101728	Spring Pad
28	105926	Spring Retainer (fine thread)
----	105326	Spring Retainer (coarse thread)
29	105327	Spring
30	845097	Washer, Main Spring (non-supremes only)
31	106023	Adjustment Screw (fine thread)
----	101549	Adjustment Screw (coarse thread)
<b>Used on Supreme Models</b>		
29	105944	Spring (coarse thread Supreme only)
----	105327	Spring (fine thread & EFA Supreme)
32	105927	Spring Retainer (fine thread)
----	108851	Spring Retainer (coarse thread)
<b>33</b>	<b>108853</b>	<b>Secondary Diaphragm</b>
34	108854	Diaphragm Retainer
<b>n/s</b>	<b>108865</b>	<b>Silicone Fluid</b>
----	<b>108855</b>	<b>Silicone Fluid (Military Only)</b>
<b>Used Only on Externally Fine Adjustable Supreme</b>		
36	105936	Adjustment Screw, EFA Supreme
<b>37</b>	<b>108852</b>	<b>Secondary Diaphragm, EFA Supreme</b>
<b>n/s</b>	<b>108865</b>	<b>Silicone Fluid</b>

Part numbers in **BOLD ITALICS** indicate standard overhaul replacement part.

# First-Stage Regulators

## Micra Air System (M.A.S.)



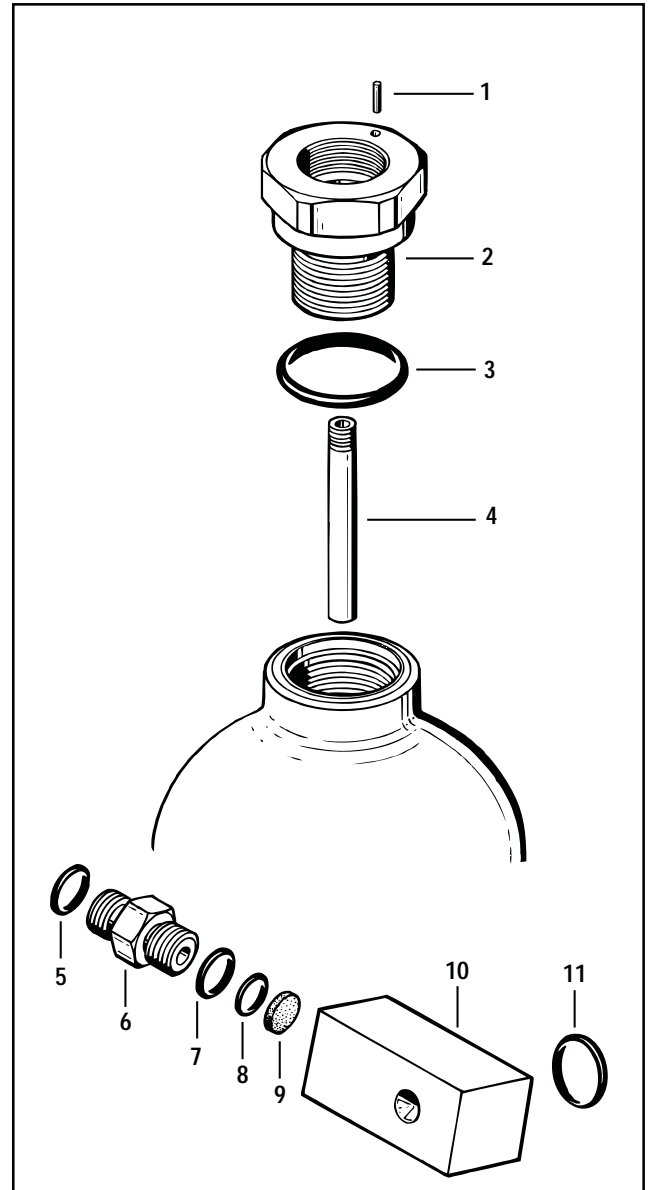
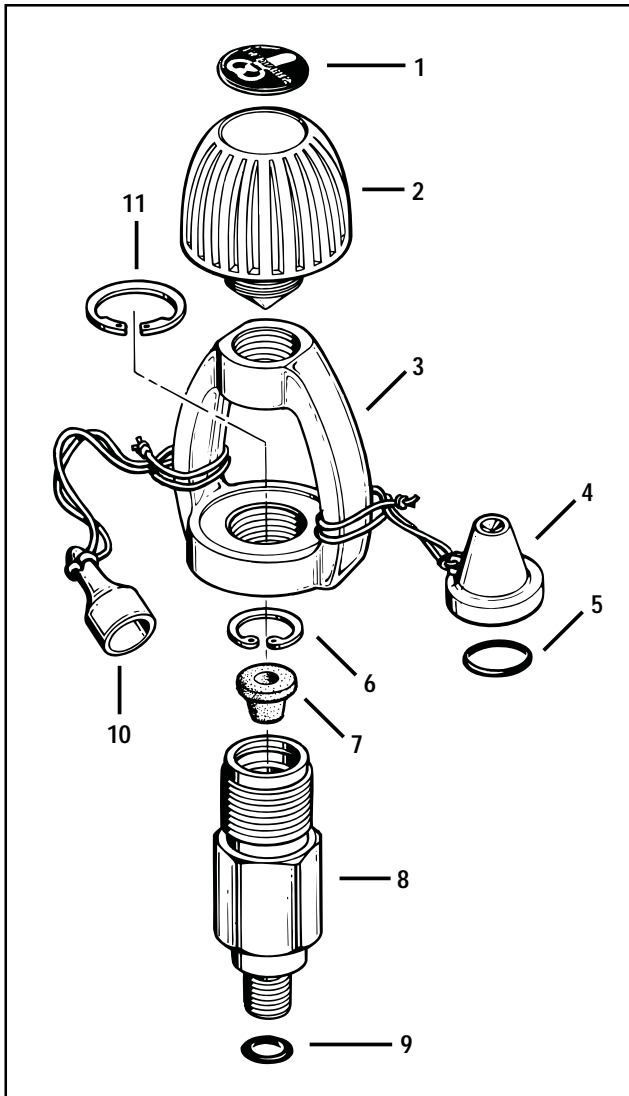
Key #	Part #	Description
1	106023	Adjustment Screw
2	100627	Spring Retainer
3	845097	Washer, Main Spring
4	105327	Main Spring
5	101728	Spring Pad
6	<b>821026</b>	<b>Thrust Washer</b>
7	<b>103429</b>	<b>Diaphragm</b>
8	101727	Pin Support
9	105323	Pin
10	100601	Body, First Stage
11	<b>050241</b>	<b>Safety Disc Assy, 3000 psi</b>
12	100623	Set Screw
13	<b>957004</b>	<b>O-ring</b>
14	742538	Pressure Gauge (Analog)
14	NLA	Pressure Gauge Assy (Pin Style)
14a	100607	End Plug (Pin Style)
14b	100613	Indicator Pin (Pin Style)
14c	100688	Spring (Pin Style)
14d	845034	Washer (Pin Style)
14e	<b>820304</b>	<b>O-ring (Pin Style)</b>
14f	NLA	Body (Pin Style)
15	100614	On/Off Indicator Ring
16	<b>820011</b>	<b>O-ring</b>

Key #	Part #	Description
17	102812	Swivel Fitting
18	<b>820312</b>	<b>O-ring</b>
19	100625	Hose Assy, M.A.S.
20	<b>860065</b>	<b>Hose Retaining Ring</b>
21	<b>105940</b>	<b>HP Seat</b>
22	101504	Spring
23	<b>820080</b>	<b>O-ring</b>
24	<b>828005</b>	<b>Back-up Ring</b>
25	105324	HP Spring Block
26	104613	Spring
27	<b>820014</b>	<b>O-ring</b>
28	100622	Valve Body
29	<b>828510</b>	<b>Backup Ring</b>
30	<b>820010</b>	<b>O-ring</b>
31	100609	Mating Pin
32	100605	Cylinder Adapter, M.A.S.
33	<b>820016</b>	<b>O-ring</b>
34	NLA	2.5cf Cylinder, M.A.S.
35	<b>820010</b>	<b>O-ring</b>
n/s	<b>100695</b>	<b>Holster</b>

Part numbers in **BOLD ITALICS** indicate standard overhaul replacement part.

# First-Stage Regulators

## M.A.S. Adapters



Key #	Part #	Description
-------	--------	-------------

### M.A.S. SCUBA Fill Adapter

----	108325	Standard Fill Adapter - Complete
1 ----	100388	Decal
2 ----	107506	Yoke Screw
3 ----	700418	Yoke
4 ----	101012	Dust Cap
<b>5 ----</b>	<b>820120</b>	<b>O-ring</b>
6 ----	863051	Retaining Ring
<b>7 ----</b>	<b>106839</b>	<b>Conical Filter</b>
8 ----	100648	Adapter
<b>9 ----</b>	<b>957004</b>	<b>O-ring</b>
10 ----	100633	Protector Cap
11 ----	861068	Retaining Ring

Part numbers in **BOLD ITALICS** indicate standard overhaul replacement part.

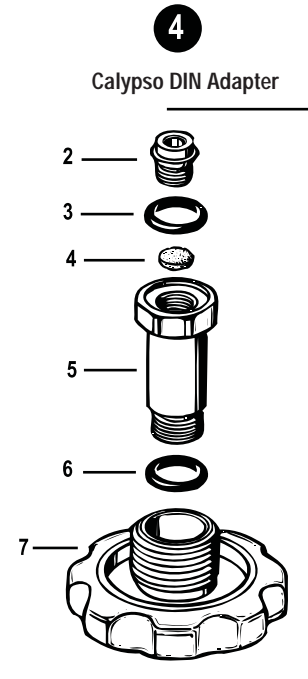
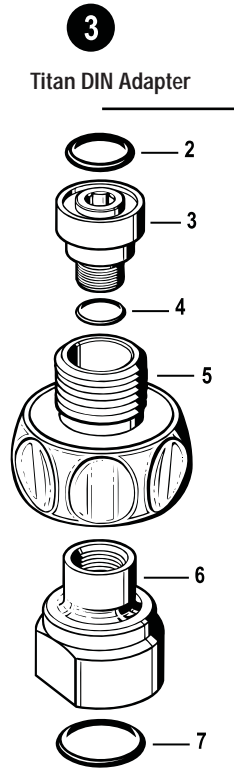
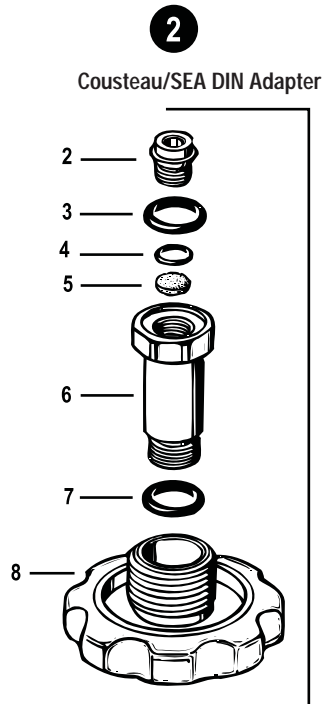
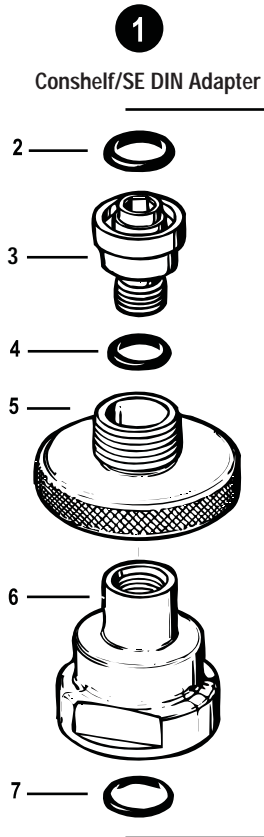
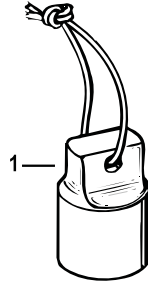
Key #	Part #	Description
-------	--------	-------------

### Pony Bottle Cylinder Adapter Kit

----	100640	3/4" Cylinder Adapter Kit (w/ Fill Adapter)
1 ----	100609	Indicator Pin
2 ----	100647	3/4" Cylinder Adapter
<b>3 ----</b>	<b>820214</b>	<b>O-ring</b>
4 ----	051821	Dip Tube
----	100656	Compressor Fill Adapter Assy
<b>5 ----</b>	<b>957004</b>	<b>O-ring</b>
6 ----	100629	Fitting
<b>7 ----</b>	<b>957004</b>	<b>O-ring</b>
<b>8 ----</b>	<b>820010</b>	<b>O-ring</b>
<b>9 ----</b>	<b>106326</b>	<b>Filter</b>
10 ----	935011	Fill Block
<b>11 ----</b>	<b>820120</b>	<b>O-ring</b>

# First-Stage Regulators

## DIN Adapters



Key #	Part #	Description
-------	--------	-------------

<b>1</b>		Conshelf/ SE DIN Adapter
----	107455	DIN Adapter Kit - Conshelf XIV/SE Series
1	107441	Protector Cap, DIN Connector
2	820040	O-ring
3	106056	Handwheel Retainer, Conshelf/ SE2
4	820039	O-ring
5	106052	Handwheel, Conshelf/ SE2
6	106057	DIN Adapter, Conshelf/ SE2
7	820014	O-ring

<b>2</b>		Cousteau/ SEA DIN Adapter
----	106345	DIN Adapter Kit - Cousteau/ SEA
1	107441	Protector Cap, DIN Connector
2	106332	Filter Retainer
3	820040	O-ring
4	820010	O-ring (pre-1999 models only)
5	106326	Filter
6	106333	Inlet Fitting
7	824406	O-ring
8	106331	Handwheel

Key #	Part #	Description
-------	--------	-------------

<b>3</b>		Titan DIN Adapter
----	103172	DIN Adapter Kit - Titan
1	107441	Protector Cap, DIN Connector
2	820094	O-ring
3	106056	Handwheel Retainer
4	820072	O-ring
5	103176	Handwheel
6	103174	DIN Adapter, Titan
7	820017	O-ring

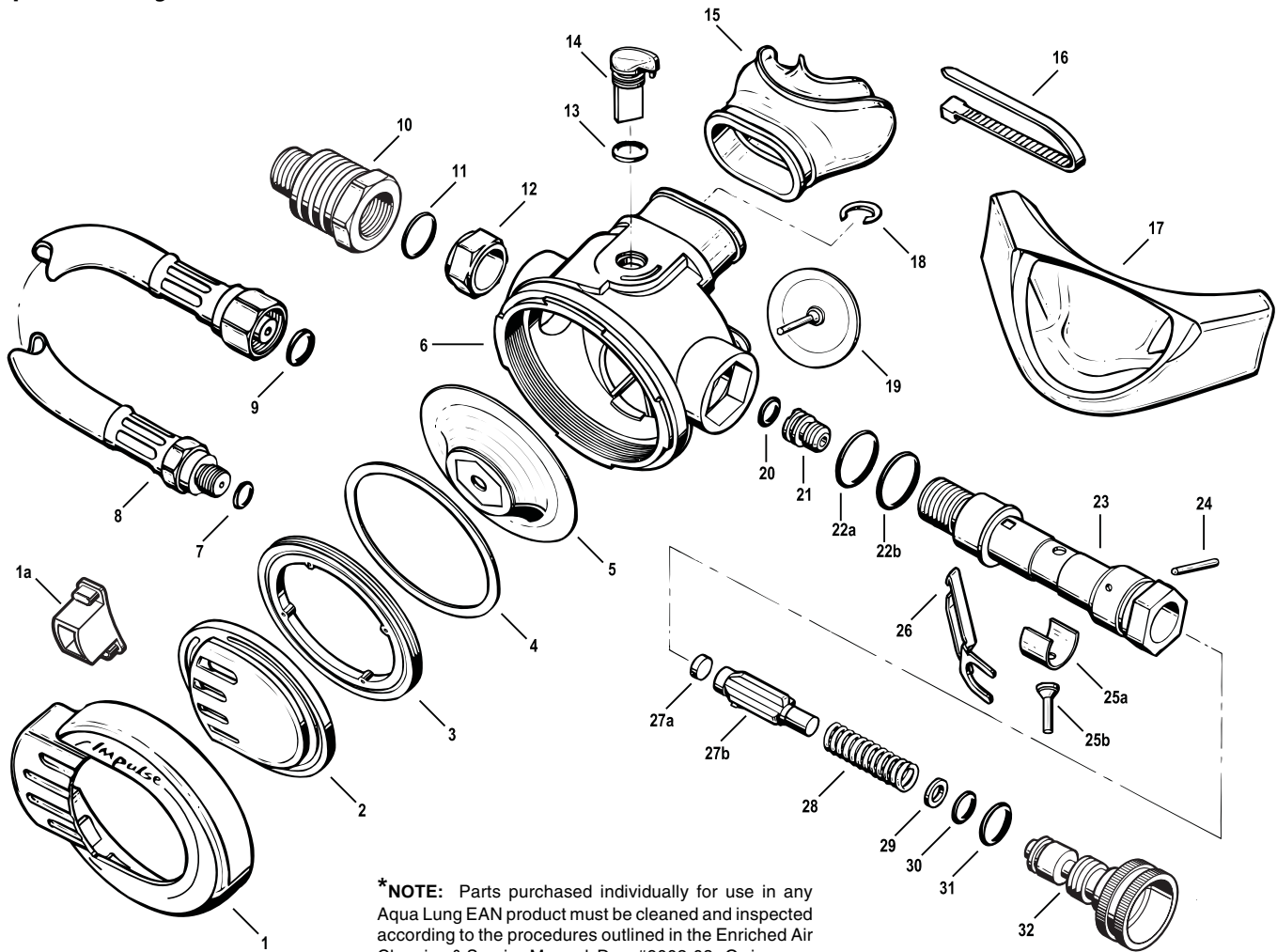
<b>4</b>		Calypso DIN Adapter
----	105172	DIN Adapter Kit - Calypso
1	5117218	Protector Cap, Calypso DIN Connector
2	106332	Filter Retainer
3	820040	O-ring
4	106326	Filter
5	5122326	Inlet Fitting
6	5411316	O-ring
7	5122328	Handwheel



**SECOND STAGE  
REGULATORS**

# Second-Stage Regulators

## Impulse Cryo EAN



**\*NOTE:** Parts purchased individually for use in any Aqua Lung EAN product must be cleaned and inspected according to the procedures outlined in the Enriched Air Cleaning & Service Manual, Doc. #9002-08. O-rings are included with the Overhaul Parts Kit, and may not be ordered individually.

Key #	Part #	Description
-------	--------	-------------

----	<b>900205</b>	<b>Overhaul Parts Kit, Cousteau D Impulse Cryo, 1st &amp; 2nd Stages</b>
1	107828	Box Top, Cryo EAN
1a.	107830	Plug
2	107821	Purge Cover
3	107819	Retaining Ring
4	107818	Thrust Washer
5	107817	Diaphragm
6	107824	Box Bottom
7	n/a*	<b>O-ring, 1/2" Hose</b>
8	102035	<b>Hose Assy, 1/2" x 30"</b>
9	n/a*	O-ring
10	107827	Hex Fitting/ Heat Exchanger (Cryo)
11	n/a*	<b>O-ring (Cryo Only)</b>
12	107804	Spacer Bushing
13	n/a*	<b>O-ring</b>
14	107834	Vane Adjustment Switch
15	109438	Mouthpiece, Comfo-Bite™, Black
	104138	Mouthpiece, Octopus
16	104913	Clamp, Black
17	107811	Exhaust Tee

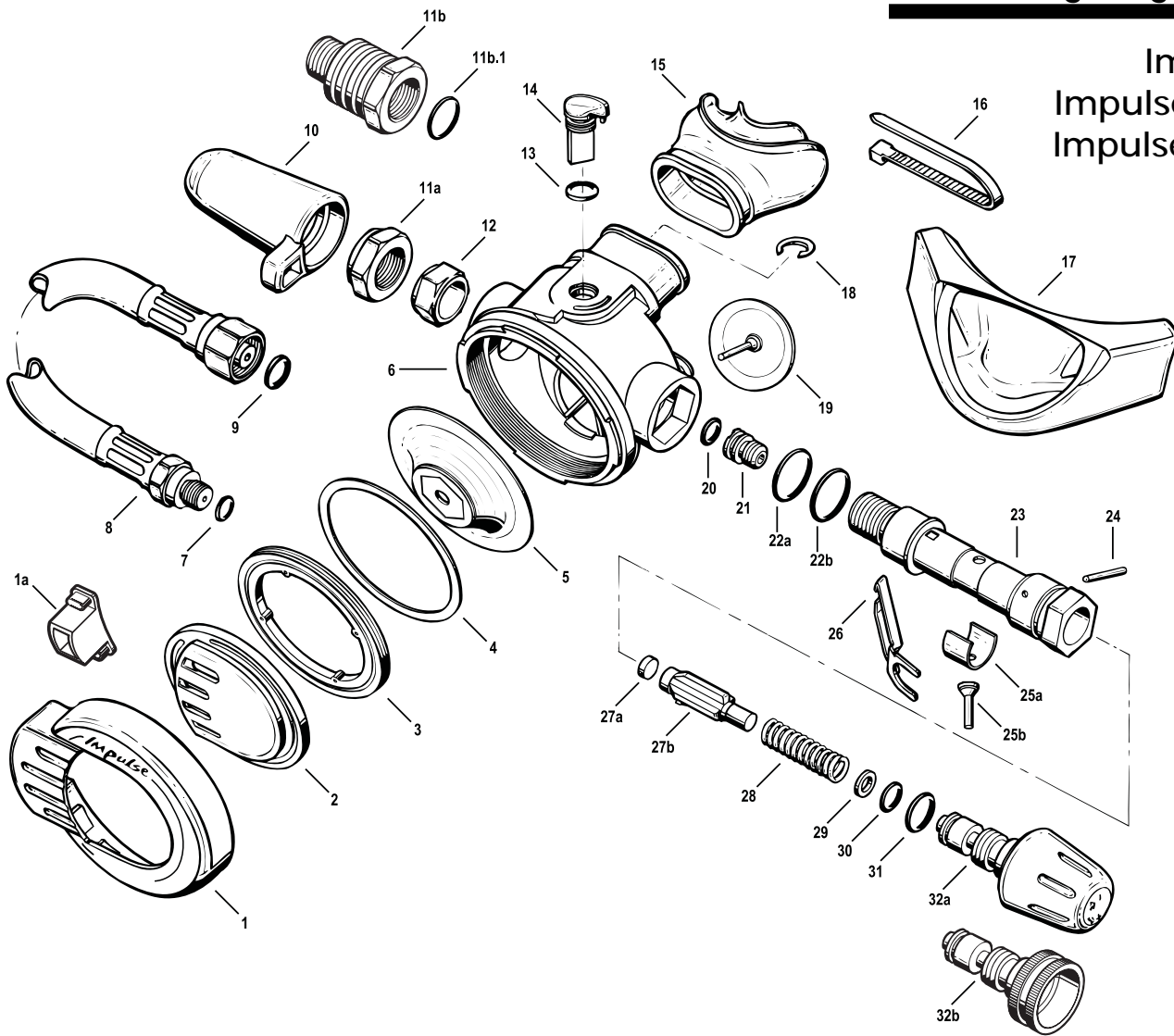
Key #	Part #	Description
-------	--------	-------------

18	860137	C-clip
19	107822	<b>Exhaust Valve</b>
20	n/a*	<b>O-ring</b>
21	100128	Adjustable Crown
22	n/a*	<b>O-ring</b>
23	107845	Valve Body
24	107808	Retaining Pin
25a	107837	Deflector Clip (w/ plug)
25b	107836	<b>Plug, Deflector Clip</b>
26	107807	Lever
27a	106738	<b>LP Seat</b>
27b	107826	Poppet
28	100134	Spring
29	107813	Washer
30	n/a*	<b>O-ring</b>
31	n/a*	<b>O-ring</b>
32	107843	Adjustment Knob/ Heat Exchanger

Part numbers in **BOLD ITALICS** indicate standard overhaul replacement part.

# Second-Stage Regulators

Impulse  
Impulse Cryo  
Impulse Octo



Key #	Part #	Description
----	104146	Impulse-Cryo Second Stage w/out hose
----	<b>900009</b>	<b>Overhaul Parts Kit</b>
1	107823	Box Top
----	107831	Box Top, Cryo
----	107829	Box Top, Octopus
1a	107830	Plug
2	107821	Purge Cover
3	107819	Retaining Ring
4	107818	Thrust Washer
5	107817	Diaphragm
6	107824	Box Bottom
7	<b>957025</b>	<b>O-ring, 1/2" Hose</b>
----	<b>820011</b>	<b>O-ring, 3/8" Hose</b>
8	102035	Hose Assy, 1/2" x 30"
----	090015	Hose Assy, 3/8" x 30"
----	090027	Hose Assy, 3/8" x 39", Yellow
9	<b>820010</b>	<b>O-ring</b>
10	107802	Hose Protector
11a	107803	Hex Fitting
11b	107827	Hex Fitting/ Heat Exchanger (Cryo)
<b>11b.1</b>	<b>820013</b>	<b>O-ring (Cryo Only)</b>
12	107804	Spacer Bushing
<b>13</b>	<b>820010</b>	<b>O-ring</b>
14	107834 *	Vane Adjustment Switch
15	109438	Mouthpiece, Comfo-Bite™, Black
----	104138	Mouthpiece, Octopus

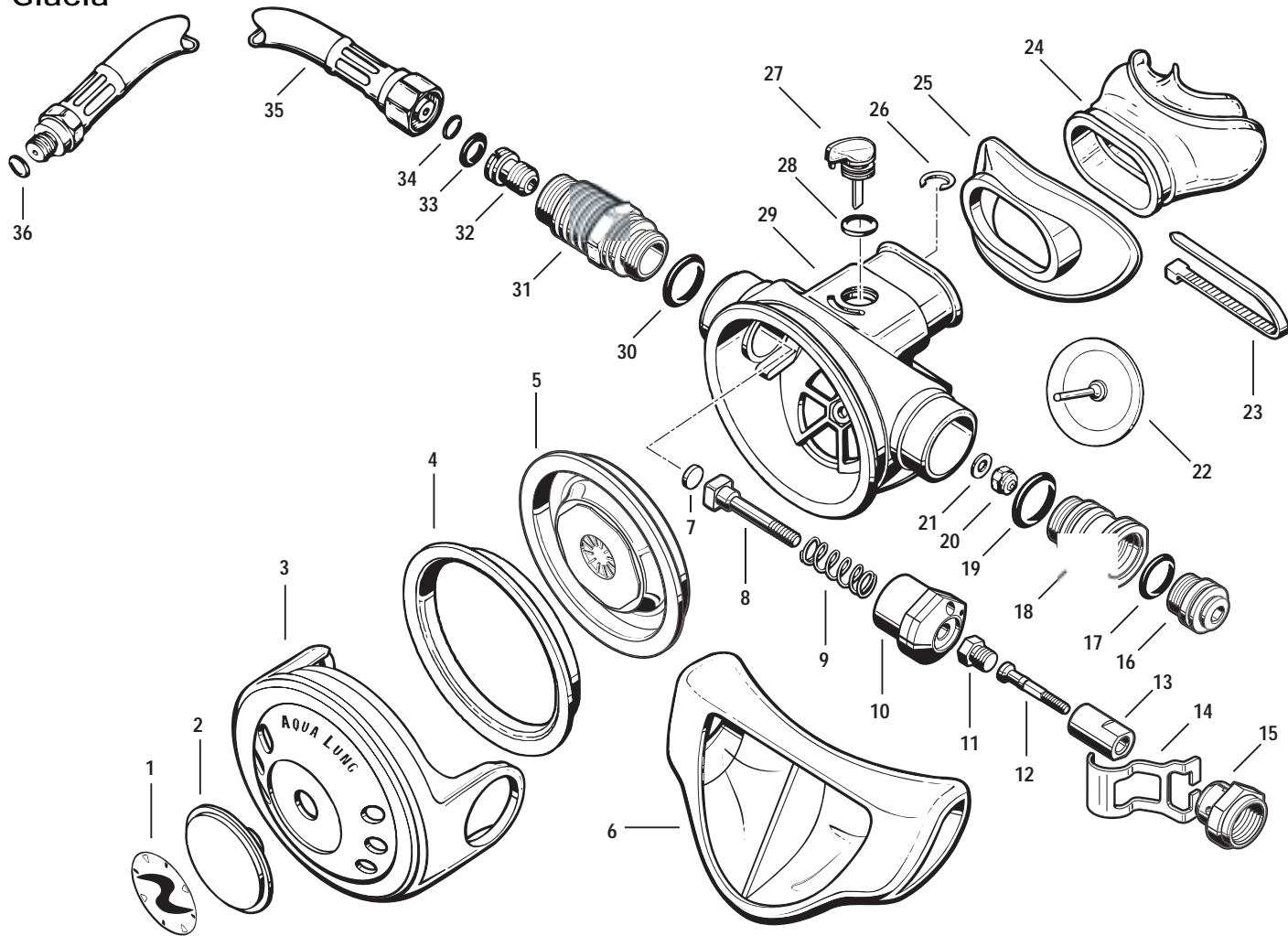
Key #	Part #	Description
16	104913	Clamp, Black
17	107811	Exhaust Tee
18	860137	C-clip
19	<b>107822</b>	<b>Exhaust Valve</b>
20	<b>820010</b>	<b>O-ring</b>
21	100128	Adjustable Crown
22	<b>820017</b>	<b>O-ring</b>
23	107845	Valve Body
24	107808	Retaining Pin
25a	107837 *	Deflector Clip (w/ plug)
25b	<b>107836</b> *	<b>Plug, Deflector Clip</b>
26	107807	Lever
27a	<b>106738</b>	<b>LP Seat</b>
27b	107826	Poppet
28	100134	Spring
29	107813	Washer
30	<b>820011</b>	<b>O-ring</b>
31	<b>820013</b>	<b>O-ring</b>
32a	107842	Adjustment Knob Assy
32b	107843	Adjustment Knob/ Heat Exchanger (Cryo)

---- 107875 \* Performance Upgrade Kit includes items 13, 14, 25a, & 25b

Part numbers in **BOLD ITALICS** indicate standard overhaul replacement part.

# Second-Stage Regulators

## Glacia

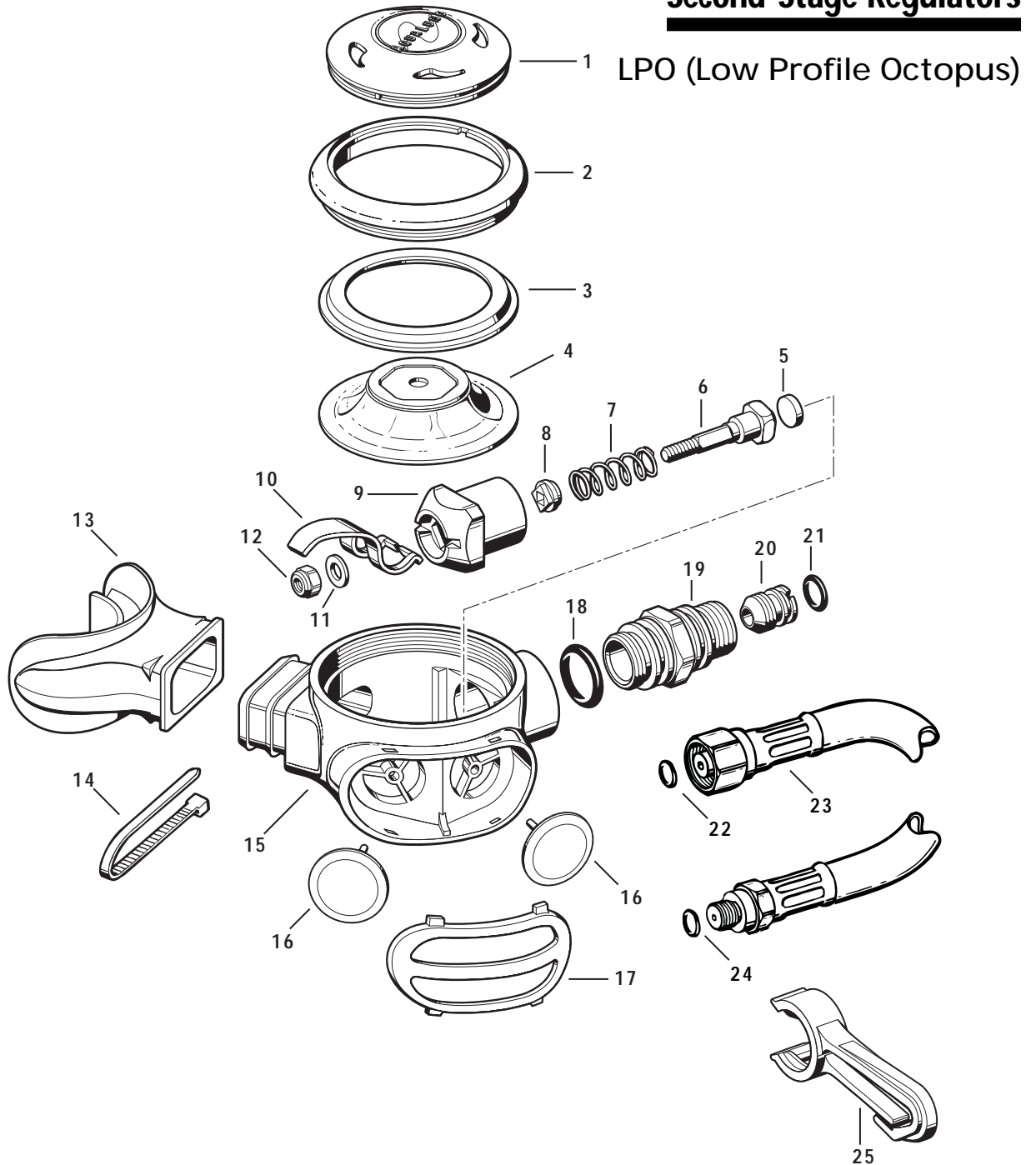


Key #	Part #	Description
----	<b>900010</b>	<b>Overhaul Parts Kit</b>
1 ----	109510	Decal
2 ----	104107	Purge Button
3 ----	104143	Front Cover
4 ----	104109	Sealing Ring
5 ----	104123	Diaphragm
6 ----	104102	Exhaust Tee
7 ----	<b>106738</b>	<b>LP Seat</b>
8 ----	109501	Poppet
9 ----	104127	Spring
10 ----	109502	Valve Insert
11 ----	109503	Connecting Nut
12 ----	109504	Pin
13 ----	109505	Sheath
14 ----	109506	Lever
15 ----	109507	Lever Support
16 ----	109509	Ribbed Plug
17 ----	<b>957025</b>	<b>O-ring</b>
18 ----	109508	Insert
19 ----	<b>820015</b>	<b>O-ring</b>
20 ----	<b>102510</b>	<b>Locknut</b>

Key #	Part #	Description
21 ----	104129	Washer
22 ----	<b>107822</b>	<b>Exhaust Diaphragm</b>
23 ----	<b>104913</b>	<b>Clamp</b>
24 ----	109438	Mouthpiece, Comfo Bite™
----	104138	Mouthpiece, Octopus
25 ----	109512	Lip Shield
26 ----	860137	Circlip
27 ----	104113	Vane Adjustment Switch
28 ----	<b>820010</b>	<b>O-ring</b>
29 ----	104101	Box Bottom
30 ----	<b>820015</b>	<b>O-ring</b>
31 ----	109511	Inlet Fitting
32 ----	100128	Crown
33 ----	<b>820010</b>	<b>O-ring</b>
34 ----	<b>820010</b>	<b>O-ring</b>
35 ----	102035	Hose, Cousteau, 1/2" x 30"
----	090015	Hose, Titan, 3/8" x 30"
----	090027	Hose, Octopus, Yellow, 3/8" x 39"
36 ----	<b>957025</b>	<b>O-ring, Cousteau</b>
----	<b>820011</b>	<b>O-ring, Titan/Octopus</b>

Part numbers in **BOLD ITALICS** indicate standard overhaul replacement part.

# Second-Stage Regulators



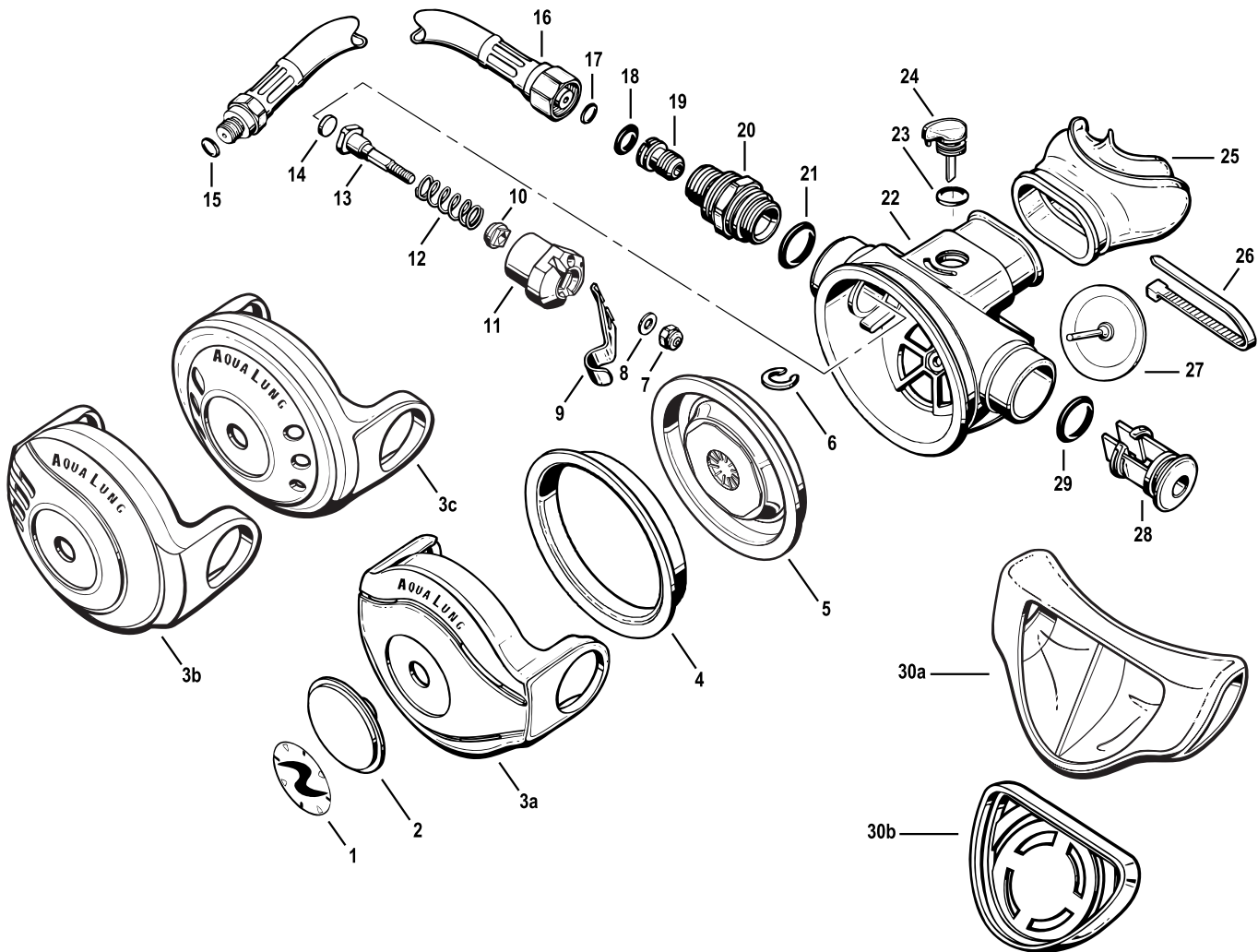
Key #	Part #	Description
----	<b>900011</b>	<b>Overhaul Parts Kit</b>
1	100904	Purge Cover
2	100906	Color Ring
3	100909	Retaining Ring
4	100181	Diaphragm
<b>5</b>	<b>106738</b>	<b>LP Seat</b>
6	104122	Poppet
7	104127	Spring
<b>8</b>	<b>104134</b>	<b>Poppet Bearing</b>
9	100945	Valve Body
10	100923	Lever
11	104129	Washer
<b>12</b>	<b>102510</b>	<b>Locknut</b>
13	105831	Mouthpiece

Key #	Part #	Description
<b>14</b>	<b>104913</b>	<b>Clamp</b>
15	100903	Box Bottom
<b>16</b>	<b>100922</b>	<b>Exhaust Valve Diaphragm</b>
17	100907	Exhaust Cover
<b>18</b>	<b>820015</b>	<b>O-ring</b>
19	104106	Inlet Fitting
20	100128	Adjustable Crown
<b>21</b>	<b>820010</b>	<b>O-ring</b>
<b>22</b>	<b>820010</b>	<b>O-ring</b>
23	090039	LP Hose, Yellow, 3/8" x 39"
<b>24</b>	<b>820011</b>	<b>O-ring</b>
25	100924	Hose Retaining Clip

Part numbers in **BOLD ITALICS** indicate standard overhaul replacement part.

# Second-Stage Regulators

## XLC (Titan, Cousteau, Calypso, & Octopus)



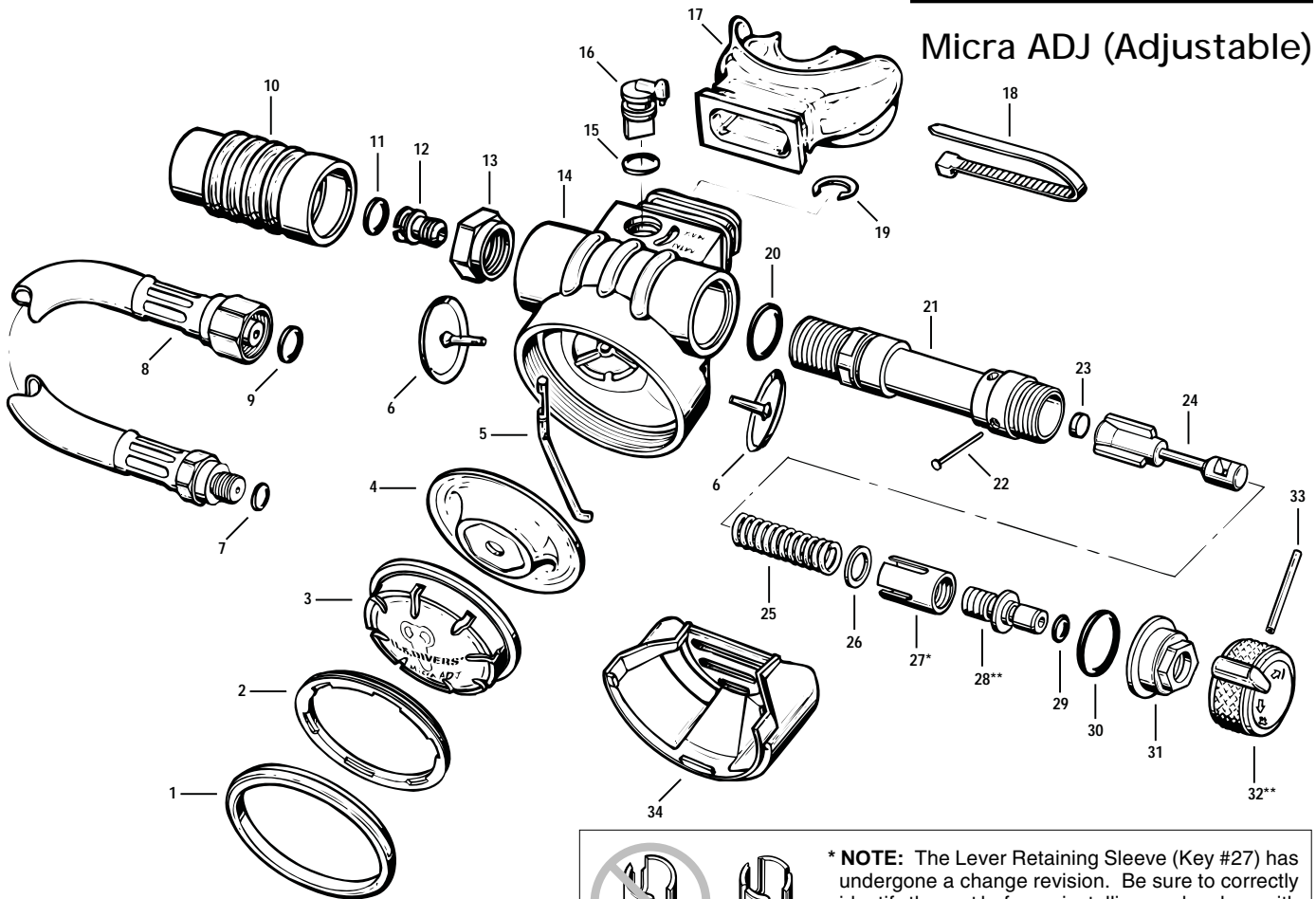
Key #	Part #	Description
----	104118	XLC Second Stage, Titan
----	104117	XLC Second Stage, Calypso
----	<b>900010</b>	<b>Overhaul Parts Kit</b>
1 ----	104185	Decal, Titan
----	104184	Decal, Cousteau
----	105184	Decal, Calypso
----	104186	Decal, Octopus
2 ----	104107	Purge Button
3a ----	104103	Front Cover, Calypso
3b ----	104142	Front Cover, Titan
3c ----	104143	Front Cover, Cousteau
n/s ----	104128	Front Cover, Octopus
4 ----	104109	Sealing Ring
5 ----	104123	Diaphragm
6 ----	860137	Circlip
7 ----	<b>102510</b>	<b>Locknut</b>
8 ----	104129	Washer
9 ----	104108	Lever
10 ----	<b>104134</b>	<b>Poppet Bearing</b>
11 ----	104132	Valve Insert (Right Hand)
----	104131	Valve Insert (Left Hand)
12 ----	104127	Spring
13 ----	104122	Poppet

Key #	Part #	Description
14 ----	<b>106738</b>	<b>LP Seat</b>
15 ----	<b>957025</b>	<b>O-ring, Cousteau</b>
----	<b>820011</b>	<b>O-ring, Titan, Calypso, Octopus</b>
16 ----	102035	Hose, Cousteau, 1/2" x 30"
----	090015	Hose, Titan, Calypso, 3/8" x 30"
----	090027	Hose, Octopus, Yellow, 3/8" x 39"
17 ----	<b>820010</b>	<b>O-ring</b>
18 ----	<b>820010</b>	<b>O-ring</b>
19 ----	100128	Crown
20 ----	104106	Inlet Fitting
21 ----	<b>820015</b>	<b>O-ring</b>
22 ----	104101	Box Bottom
23 ----	<b>820010</b>	<b>O-ring</b>
24 ----	104113	Vane Adjustment Switch
25 ----	109438	Mouthpiece, Comfo Bite™
----	104138	Mouthpiece, Octopus
26 ----	<b>104913</b>	<b>Clamp</b>
27 ----	<b>107822</b>	<b>Exhaust Diaphragm</b>
28 ----	104112	End Plug
29 ----	<b>820015</b>	<b>O-ring</b>
30a ----	104102	Exhaust Tee
30b ----	104124	Exhaust Cover, Yellow, Octopus

Part numbers in **BOLD ITALICS** indicate standard overhaul replacement part.

# Second-Stage Regulators

## Micra ADJ (Adjustable)



**\* NOTE:** The Lever Retaining Sleeve (Key #27) has undergone a change revision. Be sure to correctly identify the part before reinstalling, and replace with new if found to be a Revision A part. (Refer to Technical Bulletin No. 10, dated August 15, 1997.)

Rev. A      Rev. B (Current)

**\*\* NOTE:** The Adjustment Screw (Key #28) and Knob (Key #32) have undergone a change revision, and are now keyed for easier alignment. It will be necessary to order both parts when replacing one which is not the current revision.

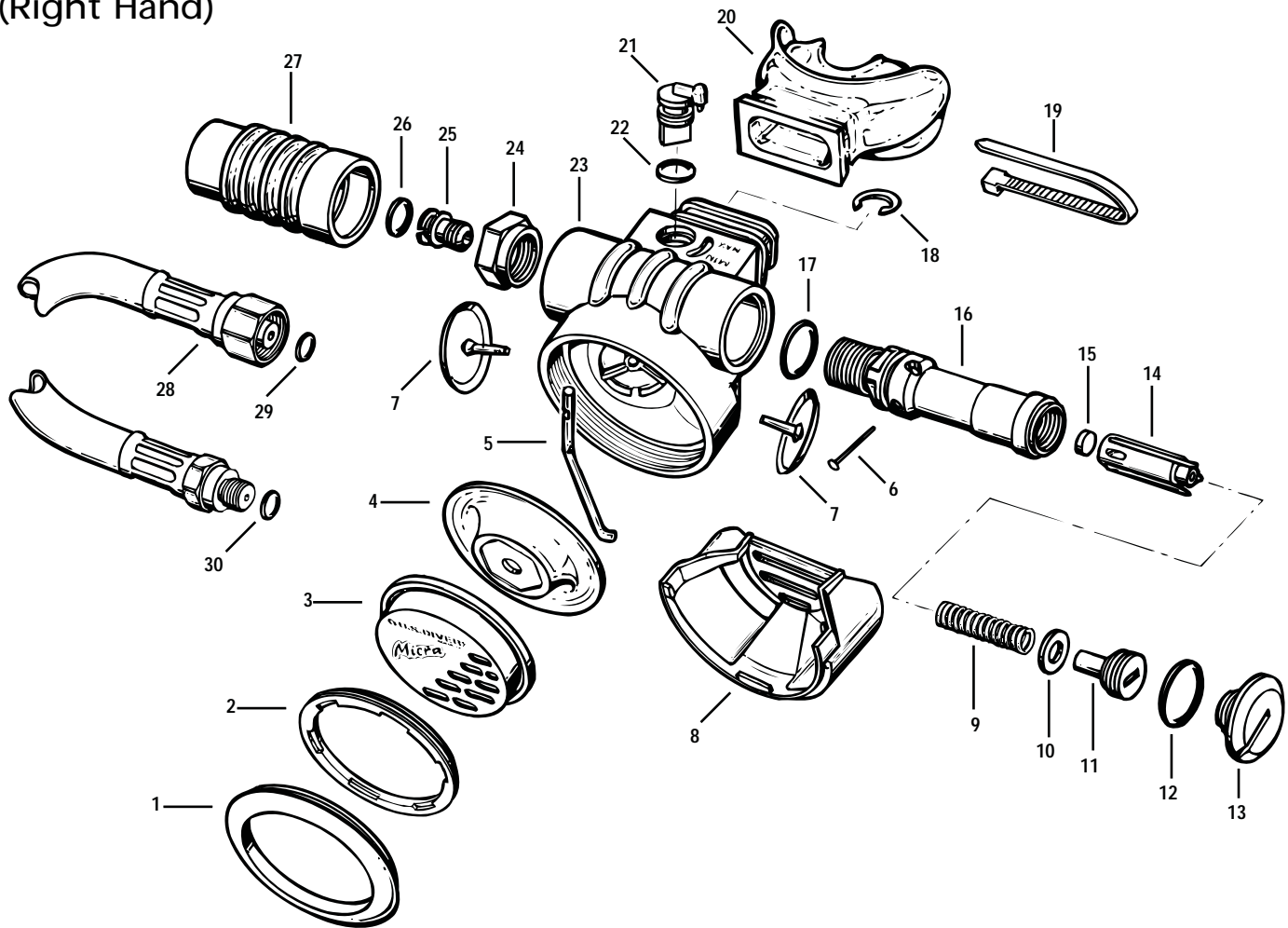
Key #	Part #	Description
----	100820	Micra ADJ Second Stage w/out hose
----	<b>900003</b>	<b>Overhaul Parts Kit</b>
1 ----	100862	Color Ring - Silver
2 ----	100119	Retaining Ring
3 ----	100849	Purge Cover
4 ----	100181	Demand Diaphragm
5 ----	100856	Lever
6 ----	<b>100122</b>	<b>Exhaust Valve Diaphragm</b>
7 ----	<b>957025</b>	<b>O-ring, 1/2" Hose</b>
----	<b>820011</b>	<b>O-ring, 3/8" Hose</b>
8 ----	102035	Hose Assy, 1/2" x 30"
----	090015	Hose Assy, 3/8" x 30"
----	090025	Hose Assy, Octopus, 3/8" x 39"
9 ----	<b>820010</b>	<b>O-ring</b>
10 ----	100103	Hose Protector, Black
11 ----	<b>820010</b>	<b>O-ring</b>
12 ----	100128	Adjustable Crown
13 ----	100136	Hex Nut, 3/4"
14 ----	100143	Box Bottom
15 ----	<b>820010</b>	<b>O-ring</b>
16 ----	100108	Vane Adjustment Switch
17 ----	105838	Mouthpiece, Comfo Snap-on, Standard

Key #	Part #	Description
----	105848	Mouthpiece, Comfo Snap-on, Small
----	105831	Mouthpiece, Snap-on, Octopus
<b>18 ----</b>	<b>104913</b>	<b>Clamp, Black</b>
19 ----	860137	C-Clip
<b>20 ----</b>	<b>820314</b>	<b>O-ring</b>
21 ----	100845	Valve Body
22 ----	100132	Pin
<b>23 ----</b>	<b>108510</b>	<b>LP Seat</b>
24 ----	100843	Poppet
25 ----	108515	Spring
26 ----	100853	Washer
27 ----	100844	Lever Retaining Sleeve
28 ----	100878	Adjustment Screw
<b>29 ----</b>	<b>820008</b>	<b>O-ring</b>
<b>30 ----</b>	<b>820016</b>	<b>O-ring</b>
31 ----	100841	Cap Nut
32 ----	100872	Adjustment Knob
33 ----	100854	Pin
34 ----	100109	Exhaust Cover, Original
----	100110	Exhaust Cover, Swept Back

Part numbers in **BOLD ITALICS** indicate standard overhaul replacement part.

# Second-Stage Regulators

Micra+, Micra+ Octopus, & M.A.S.  
(Right Hand)



Key #	Part #	Description
----	101355	Micra+ Second Stage w/out hose
----	<b>900003</b>	<b>Overhaul Parts Kit</b>
1 ----	100152	Color Ring, Black
----	100153	Color Ring, Yellow
----	100155	Color Ring, Blue
----	100175	Color Ring, Blue, w/Blue Cap Plug
----	100171	Color Ring, Chrome, w/ Black Cap Plug
2 ----	100119	Retaining Ring
3 ----	100104	Purge Cover
4 ----	100181	Demand Diaphragm
5 ----	100157	Lever
6 ----	100132	Pin
7 ----	<b>100122</b>	<b>Exhaust Valve</b>
8 ----	100109	Exhaust Cover, Original, Black
----	100110	Exhaust Cover, Swept Back, Black
----	100117	Exhaust Cover, Original, Yellow
9 ----	100134	Spring
10 ----	100173	Washer
11 ----	100123	Adjustment Screw
12 ----	<b>820016</b>	<b>O-ring</b>
13 ----	100162	End Cap, Black
----	100163	End Cap, Yellow
----	100165	End Cap, Blue
14 ----	100127	Poppet
15 ----	<b>108510</b>	<b>LP Seat</b>

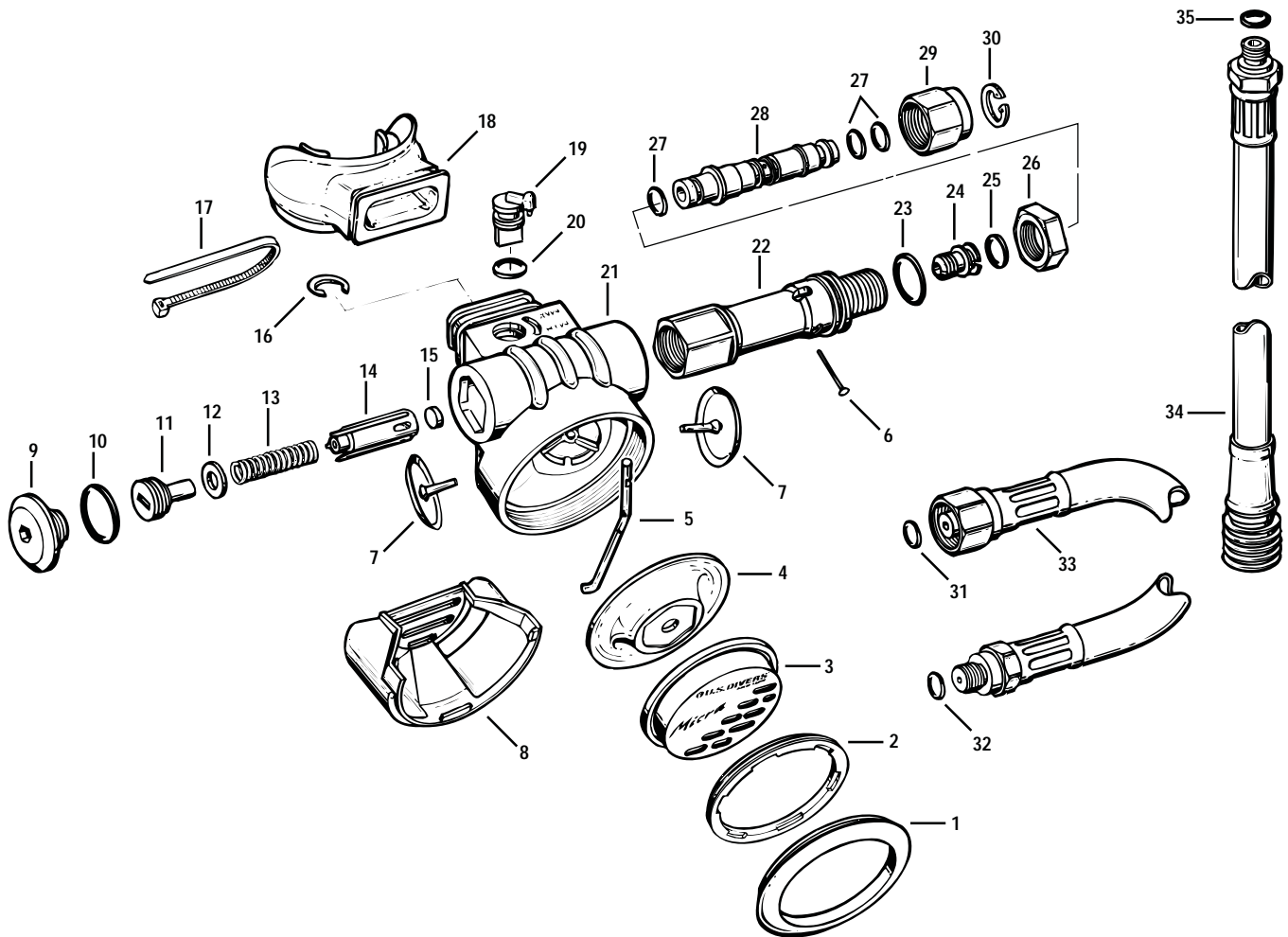
Key #	Part #	Description
16 ----	100145	Valve Body
17 ----	<b>820314</b>	<b>O-ring</b>
18 ----	860137	C-Clip
19 ----	<b>104913</b>	<b>Clamp, Black</b>
----	<b>104940</b>	<b>Clamp, White</b>
20 ----	105838	Mouthpiece, Comfo Snap-on, Standard
----	105848	Mouthpiece, Comfo Snap-on, Small
----	105831	Mouthpiece, Snap-on, Octopus
21 ----	100108	Vane Adjustment Switch
22 ----	<b>820010</b>	<b>O-ring</b>
23 ----	100143	Box Bottom
----	100141	Box Bottom, Octopus
----	100144	Box Bottom, M.A.S.
24 ----	100136	Hex Nut, 3/4"
25 ----	100128	Adjustable Crown
26 ----	<b>820010</b>	<b>O-ring</b>
27 ----	100103	Hose Protector, Black
28 ----	102035	Hose Assy, 1/2" x 30"
----	090015	Hose Assy, 3/8" x 30"
----	090025	Hose Assy, Octopus, 3/8" x 39"
29 ----	<b>820010</b>	<b>O-ring</b>
30 ----	<b>957025</b>	<b>O-ring, 1/2" Hose</b>
----	<b>820011</b>	<b>O-ring, 3/8" Hose</b>

Part numbers in **BOLD ITALICS** indicate standard overhaul replacement part.



# Second-Stage Regulators

## AirMic, Micra+ & Micra+ Octopus (Left Hand)



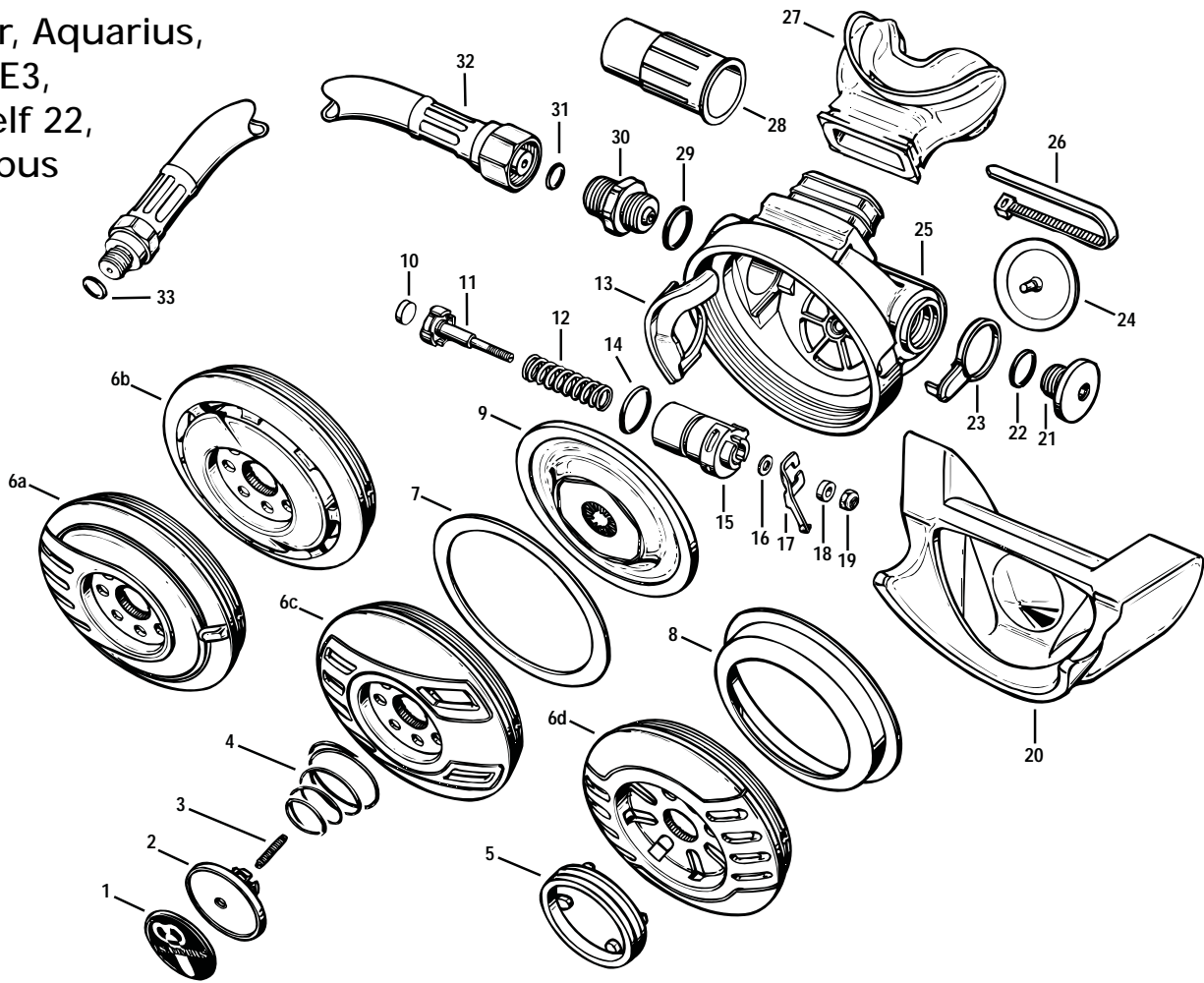
Key #	Part #	Description
----	<b>900004</b>	<b>Overhaul Parts Kit</b>
1	100152	Color Ring, Black
1	100153	Color Ring, Yellow
1	100155	Color Ring, Blue
2	100119	Retaining Ring
3	100104	Purge Cover
4	100181	Demand Diaphragm
5	100257	Lever
6	100132	Pin
7	<b>100122</b>	<b>Exhaust Valve</b>
8	100109	Exhaust Cover
8	100117	Exhaust Cover, Octopus
9	100262	Cap Plug
10	<b>820017</b>	<b>O-ring</b>
11	100223	Adjustment Screw
12	100173	Washer
13	100134	Spring
14	100127	Poppet
15	<b>108510</b>	<b>LP Seat</b>
16	860137	C-Clip
17	<b>104913</b>	<b>Clamp, Black</b>
17	<b>104940</b>	<b>Clamp, White</b>
18	105831	Mouthpiece, Octopus

Key #	Part #	Description
19	100108	Vane Adjustment Switch
20	<b>820010</b>	<b>O-ring</b>
21	100143	Box Bottom
21	100141	Box Bottom, Octopus
22	100245	Valve Body
23	<b>820015</b>	<b>O-ring</b>
24	100128	Crown
25	<b>820010</b>	<b>O-ring</b>
26	100236	Hex Nut, 13/16"
27	<b>820010</b>	<b>O-ring</b>
28	778609	Inlet Fitting, Air Mic Inflator
29	102022	Nut
30	860137	C-Clip
31	<b>820010</b>	<b>O-ring</b>
32	<b>820011</b>	<b>O-ring</b>
33	090025	LP Hose, 3/8" x 39"
34	25455	High Flow Hose, Air Mic Inflator, 3/8" x 27"
	41523	High Flow Hose, Air Mic Inflator, 3/8" x 29.5"
	090017	High Flow Hose, Air Mic Inflator, 3/8" x 33"
n/s	<b>42639</b>	<b>O-ring Kit, Quick Disc., High Flow Hose</b>
35	<b>820011</b>	<b>O-ring</b>
n/s	100227	Protector Cap, Air Mic Inflator

Part numbers in **BOLD ITALICS** indicate standard overhaul replacement part.

# Second-Stage Regulators

Pioneer, Aquarius,  
SEA4, SE3,  
Conshelf 22,  
& Octopus



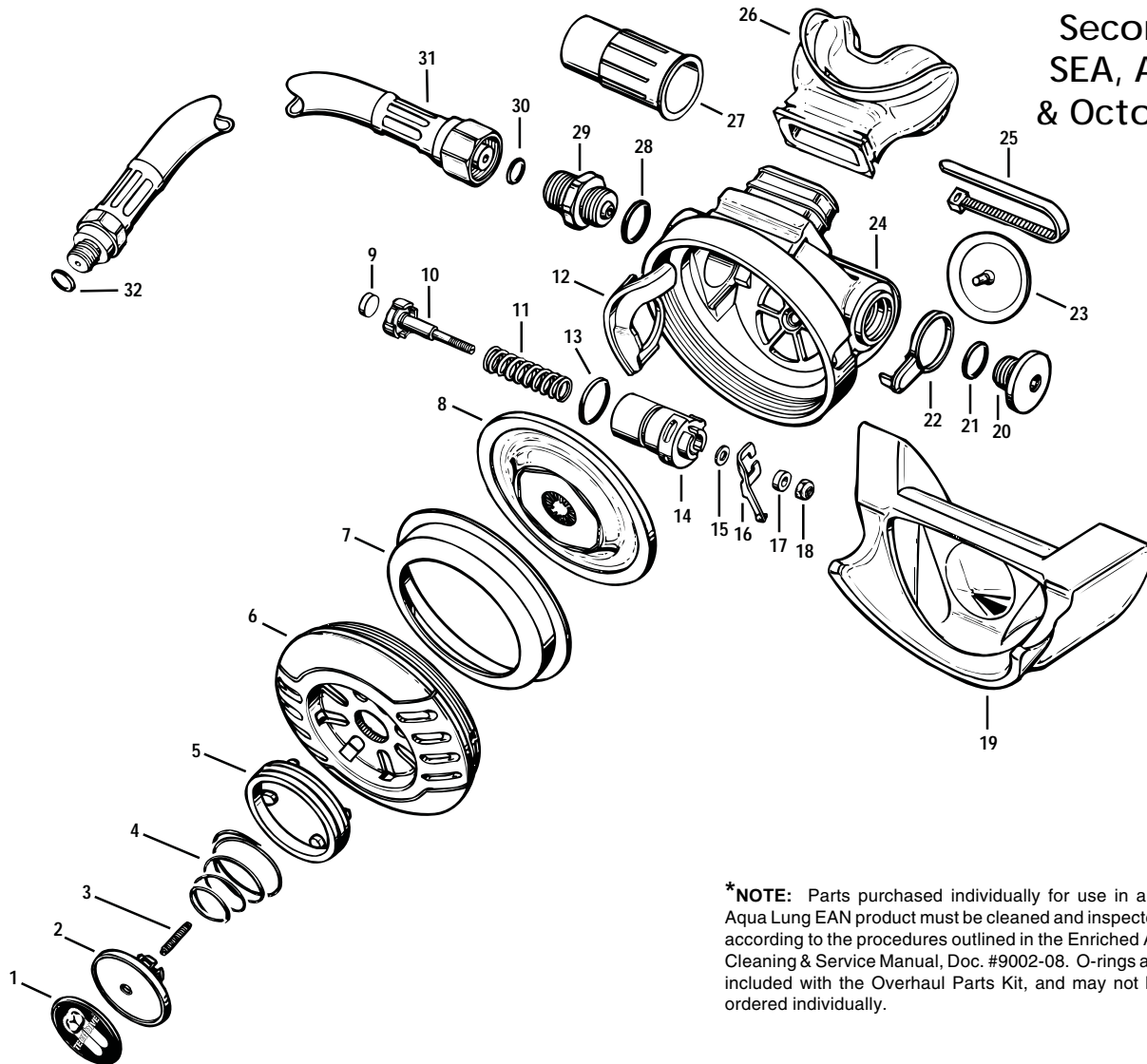
Key #	Part #	Description
----	<b>900005</b>	<b>Overhaul Parts Kit</b>
1	100584	Purge Button Decal, SEA4
----	NLA	Purge Button Decal, SE3
----	100394	Purge Button Decal, SE3 Supreme
----	100784	Purge Button Decal, Conshelf 22
----	107306	Purge Button Decal, Aquarius
----	100788	Purge Button Decal, Octopus
2	100345	Purge Button
3	830703	Adjustment Screw
4	101436	Purge Spring
5	100352	Color Ring, SE3, Black
----	100355	Color Ring, SE3, Blue
6a	100564	Boxtop, SEA4, Chrome
6b	107305	Boxtop, Aquarius
6c	100705	Boxtop, Conshelf 22
6d	100305	Boxtop, SE3
n/s	100706	Boxtop, Octopus
7	821032	Thrust Washer, Pioneer/SEA4/C22/Aquarius
8	100372	Diaphragm Support Cone, SE3, Black
----	100375	Diaphragm Support Cone, SE3, Blue
9	100571	Demand Diaphragm
<b>10</b>	<b>108510</b>	<b>LP Seat</b>
11	104903	Poppet
12	108515	Spring (Standard)
----	108514	Spring (Octopus)
13	100523	Baffle
<b>14</b>	<b>820015</b>	<b>O-ring</b>
15	100514	Valve Insert

Key #	Part #	Description
16	845022	Washer
----	107607	Washer (Cold Water)
17	108513	Lever
----	107605	Lever (Cold Water)
18	102517	Spacer
----	107606	Spacer (Cold Water)
<b>19</b>	<b>102510</b>	<b>Locknut</b>
20	100459	Exhaust Tee
21	100324	Plug
<b>22</b>	<b>957025</b>	<b>O-ring</b>
23	100389	Alignment Key
<b>24</b>	<b>100512</b>	<b>Exhaust Valve</b>
25	100503	Box Bottom, Black
----	100504	Box Bottom, Octopus
<b>26</b>	<b>104913</b>	<b>Clamp</b>
27	105838	Mouthpiece, Comfo Bite, Snap-on, Standard
----	105831	Mouthpiece, Blk
28	100462	Hose Protector
<b>29</b>	<b>820014</b>	<b>O-ring</b>
30	100444	Inlet Fitting
<b>31</b>	<b>820010</b>	<b>O-ring</b>
32	102035	Hose, SEA4, SE3, 1/2" x 30"
----	090015	Hose, Pioneer, C22, Aquarius, 3/8" x 30"
----	090025	Hose, Octopus, 3/8" x 39"
<b>33</b>	<b>957025</b>	<b>O-ring, SEA4/SE3</b>
----	<b>820011</b>	<b>O-ring, Pioneer, C22, Aquarius, Octopus</b>

Part numbers in **BOLD ITALICS** indicate standard overhaul replacement part.

# Second-Stage Regulators

## Second Stage SEA, Aquarius, & Octopus EAN



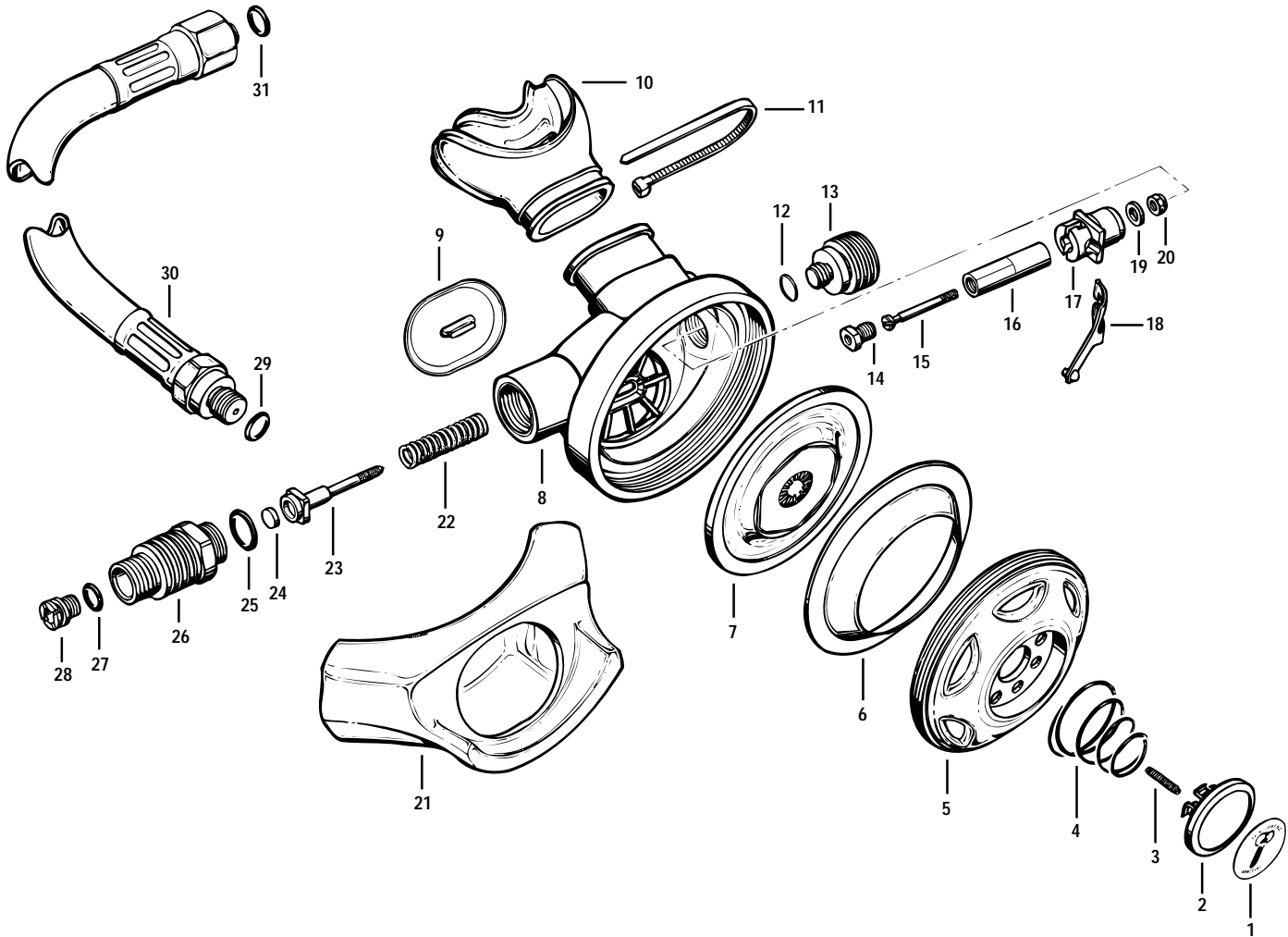
**\*NOTE:** Parts purchased individually for use in any Aqua Lung EAN product must be cleaned and inspected according to the procedures outlined in the Enriched Air Cleaning & Service Manual, Doc. #9002-08. O-rings are included with the Overhaul Parts Kit, and may not be ordered individually.

Key #	Part #	Description	Key #	Part #	Description
	---- 900202	Overhaul Parts Kit	19	---- 100459	Exhaust Tee
1	---- 106384	Purge Button Decal, SEA EAN	20	---- 100324	Plug
	---- 107384	Purge Button Decal, Aquarius EAN	<b>21</b>	---- <i>n/a*</i>	<b>O-ring</b>
	---- 100396	Purge Button Decal, Octo EAN	22	---- 100389	Alignment Key
2	---- 100345	Purge Button	<b>23</b>	---- <b>100512</b>	<b>Exhaust Valve</b>
3	---- 830703	Adjustment Screw	24	---- 100503	Box Bottom
4	---- 101436	Purge Spring	<b>25</b>	---- <b>104913</b>	<b>Clamp</b>
5	---- NLA	Color Ring, Green (EAN)	26	---- 105838	Mouthpiece, Comfo Bite, Snap-on, Standard
6	---- 100305	Boxtop, EAN		---- 105831	Mouthpiece, Blk
	---- 107321	Boxtop, EAN Octopus	27	---- 100462	Hose Protector
7	---- 100372	Diaphragm Support Cone	<b>28</b>	---- <i>n/a*</i>	<b>O-ring</b>
8	---- 100571	Demand Diaphragm	29	---- 100444	Inlet Fitting
<b>9</b>	---- <b>108510</b>	<b>LP Seat</b>	<b>30</b>	---- <i>n/a*</i>	<b>O-ring</b>
10	---- 104903	Poppet	31	---- 102035	Hose, SEA, 1/2" x 30"
11	---- 108515	Spring (Standard)		---- 090015	Hose, Aquarius, 3/8" x 30"
	---- 108514	Spring (Octopus)		---- 090025	Hose, Octopus, 3/8" x 39"
12	---- 100523	Baffle	<b>32</b>	---- <i>n/a*</i>	<b>O-ring, SEA</b>
<b>13</b>	---- <i>n/a*</i>	<b>O-ring</b>		---- <i>n/a*</i>	<b>O-ring, Aquarius, Octopus</b>
14	---- 100514	Valve Insert	n/s	--- 102043	Hose Protector, Green, 1/2"
15	---- 845022	Washer	n/s	--- 107329	Hose Protector, Green, 3/8"
16	---- 108513	Lever			
17	---- 102517	Spacer			
<b>18</b>	---- <b>102510</b>	<b>Locknut</b>			

Part numbers in **BOLD ITALICS** indicate standard overhaul replacement part.

# Second-Stage Regulators

## Arctic



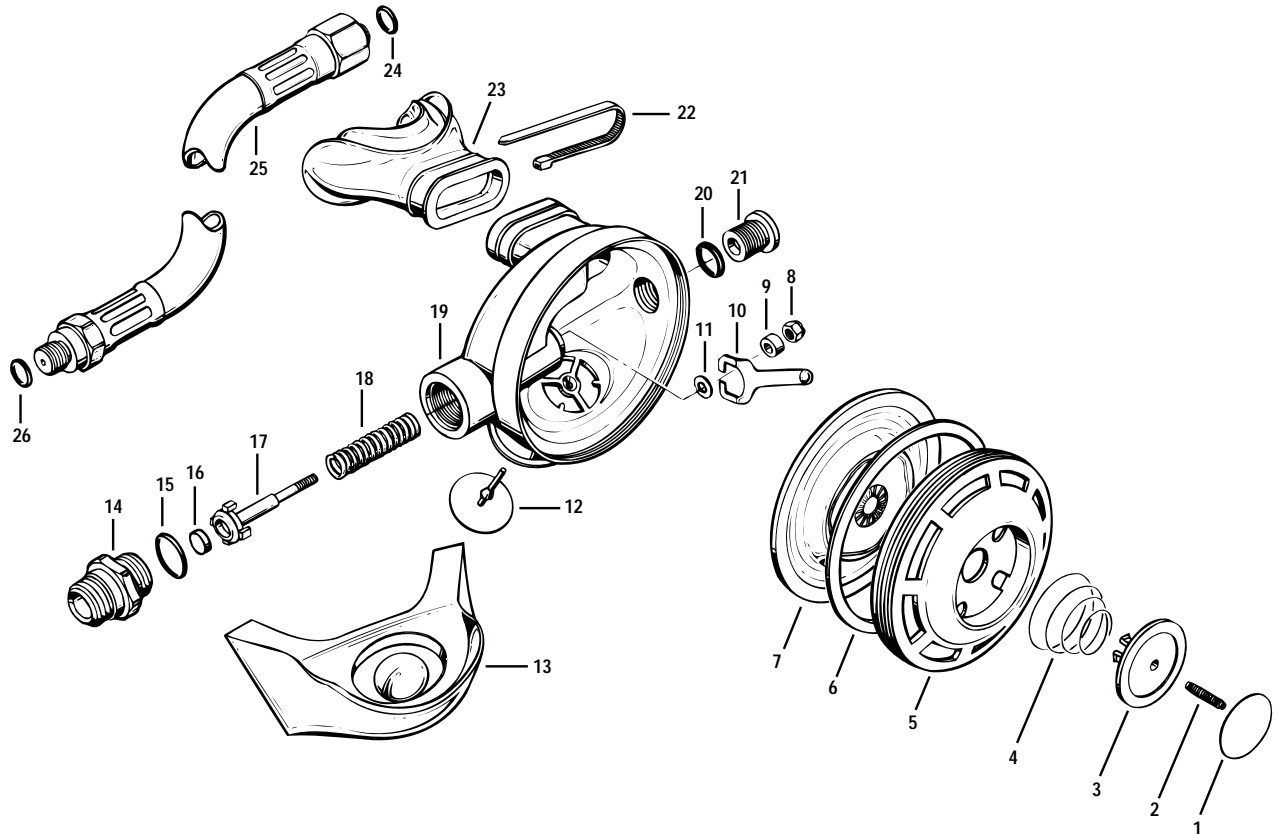
Key #	Part #	Description
----	<b>900008</b>	<b>Overhaul Parts Kit</b>
1	109491	Purge Button Decal, Arctic
2	100345	Purge Button
3	830703	Adjustment Screw
4	101436	Spring, Purge Button
5	109406	Box Top, Black
6	109427	Thrust Washer
7	100571	Demand Diaphragm
8	109445	Box Bottom
9	108278	Exhaust Valve
10	109438	Mouthpiece, Comfo-Bite, Black
11	<b>104913</b>	<b>Clamp, Black</b>
12	<b>957025</b>	<b>O-ring</b>
13	109495	Plug, Ribbed
14	109492	Intermediate Nut
15	109456	Pin
16	109493	Sheath
17	109457	Lever Support

Key #	Part #	Description
18	109455	Lever
19	106746	Spacer
20	<b>106722</b>	<b>Locknut</b>
21	108256	Exhaust Tee
22	106708	Spring
23	109468	Poppet
24	<b>106738</b>	<b>LP Seat</b>
25	<b>820014</b>	<b>O-ring</b>
26	109496	Inlet Fitting
27	<b>820010</b>	<b>O-ring</b>
28	100128	Crown, Adjustable
29	<b>957025</b>	<b>O-ring</b>
30	102035	Hose Assy, 1/2" x 30"
	090015	Hose Assy, 3/8" x 30"
31	<b>820010</b>	<b>O-ring</b>

Part numbers in **BOLD ITALICS** indicate standard overhaul replacement part.

# Second-Stage Regulators

Conshelf 21, Conshelf SE2  
Conshelf SEA, Pro Diver, Octopus

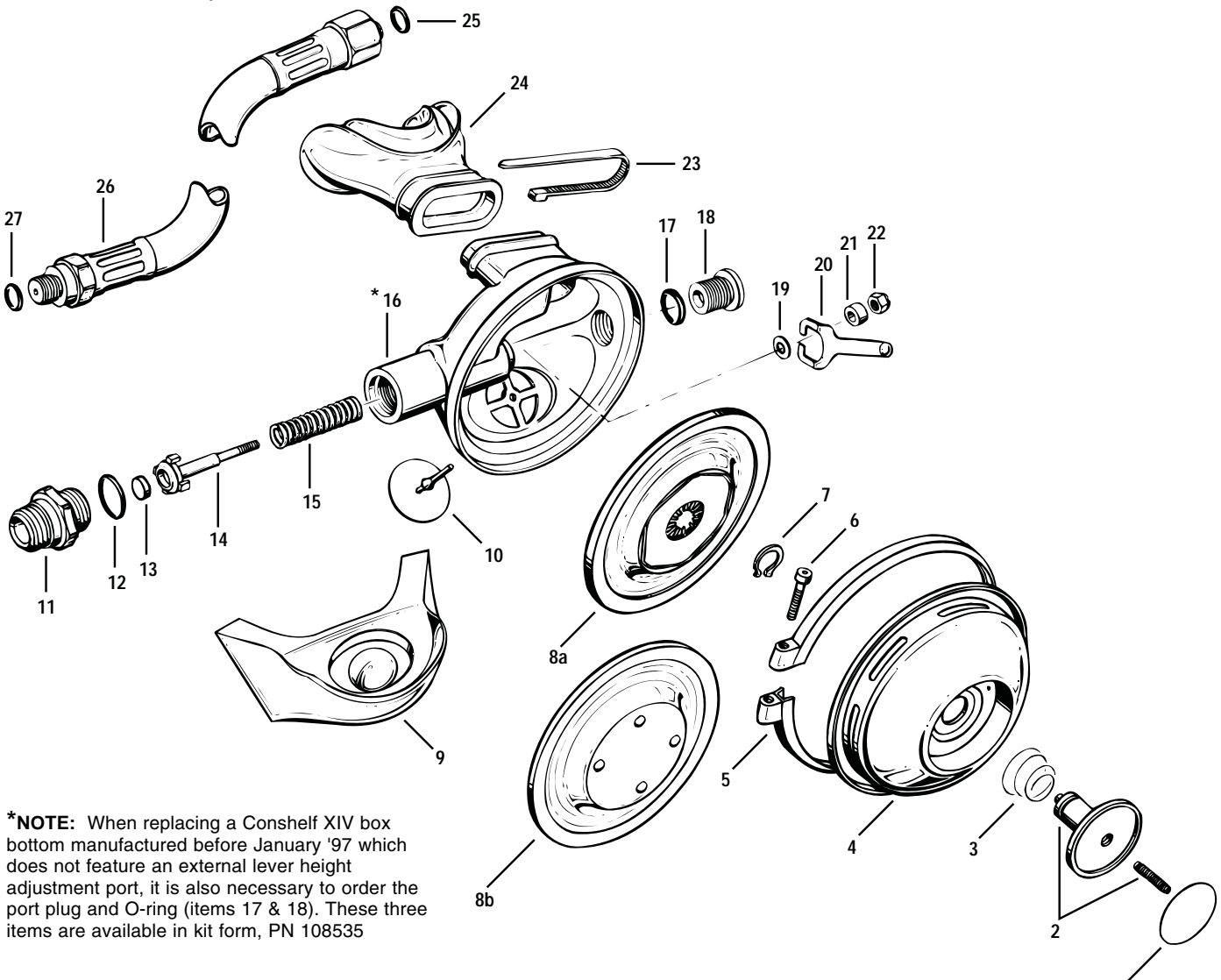


Key #	Part #	Description	Key #	Part #	Description
----	<b>900006</b>	<b>Overhaul Parts Kit</b>	18----	108515	Spring (Standard)
1----	107485	Purge Button Decal, SE2	----	108514	Spring (Octopus)
----	107486	Purge Button Decal, SE2 Supreme	19----	107445	Box Bottom, Black
----	106085	Purge Button Decal, SEA	----	107447	Box Bottom, Neon Yellow
----	106485	Purge Button Decal, Conshelf 21	<b>20----</b>	<b>957025</b>	<b>O-ring</b>
----	106188	Purge Button Decal, Octopus	21----	101924	Port Plug
2----	101623	Adjustment Screw (1983-1987 models)	<b>22----</b>	<b>104940</b>	<b>Clamp, Clear</b>
3----	101445	Purge Button	----	<b>104913</b>	<b>Clamp, Octopus</b>
4----	101436	Purge Spring	23----	105884	Comfo Bite Mouthpiece, Clear, Standard
5----	107432	Box Top, Black	----	105885	Comfo Bite Mouthpiece, Black, Standard
----	102139	Box Top, Neon Yellow	----	105829	Comfo Bite Mouthpiece, Black, Small
6----	821032	Thrust Washer	----	105889	Standard Mouthpiece, Clear
7----	100571	Demand Diaphragm	----	105879	Standard Mouthpiece, Black
----	103732	Demand Diaphragm (Military Only)	<b>24----</b>	<b>820010</b>	<b>O-ring</b>
<b>8----</b>	<b>102510</b>	<b>Locknut</b>	25----	090015	Hose Assy, 3/8" x 30"
9----	102517	Spacer	----	102035	Hose Assy, 1/2" x 30"
9----	107606	Spacer (Cold Water)	----	090025	Hose Assy, Octopus, 3/8" x 39"
10----	108513	Lever	<b>26----</b>	<b>957025</b>	<b>O-ring (SE2/SEA/Pro Diver)</b>
----	107605	Lever (Cold Water)	----	<b>820011</b>	<b>O-ring (Con 21/Gulf/Octopus)</b>
11----	845022	Washer	n/s----	102165	Box Bottom Kit, SE2/Conshelf 21, N. Yellow (includes matching NY box top)
----	107607	Washer (Cold Water)			
<b>12----</b>	<b>105139</b>	<b>Exhaust Valve</b>			
13----	101919	Exhaust Tee			
14----	100444	Inlet Fitting			
<b>15----</b>	<b>820014</b>	<b>O-ring</b>			
<b>16----</b>	<b>108510</b>	<b>LP Seat</b>			
17----	104903	Poppet			

Part numbers in **BOLD ITALICS** indicate standard overhaul replacement part.

# Second-Stage Regulators

## Conshelf XIV, Conshelf 30



**\*NOTE:** When replacing a Conshelf XIV box bottom manufactured before January '97 which does not feature an external lever height adjustment port, it is also necessary to order the port plug and O-ring (items 17 & 18). These three items are available in kit form, PN 108535

Key #	Part #	Description
----	108530	Conshelf XIV 2nd Stage w/o hose
----	108538	Conshelf XIV Supreme 2nd Stage w/o hose
----	<b>900007</b>	<b>Overhaul Parts Kit</b>
1 ----	108185	Decal, Conshelf XIV
2 ----	103706	Purge Button w/ Adjustment Screw
3 ----	102708	Purge Spring
4 ----	107001	Box Top
5 ----	390147	Box Top Clamp
6 ----	834023	Clamp Screw
7 ----	860037	Retaining Ring
8a ----	100571	Demand Diaphragm, Liquid Injection Molded
8b ----	103732	Demand Diaphragm (U.S. Military Only)
9 ----	101919	Exhaust Tee
<b>10 ----</b>	<b>105139</b>	<b>Exhaust Valve</b>
11 ----	100444	Inlet Fitting
<b>12 ----</b>	<b>820014</b>	<b>O-ring</b>
<b>13 ----</b>	<b>108510</b>	<b>LP Seat</b>
14 ----	104903	Poppet
15 ----	108504	Spring (Standard)
----	108514	Spring (Octopus)
16 ----	108122	Box Bottom
----	108535	Box Bottom Kit (includes 16, 17 & 18)
<b>17 ----</b>	<b>957025</b>	<b>O-ring</b>

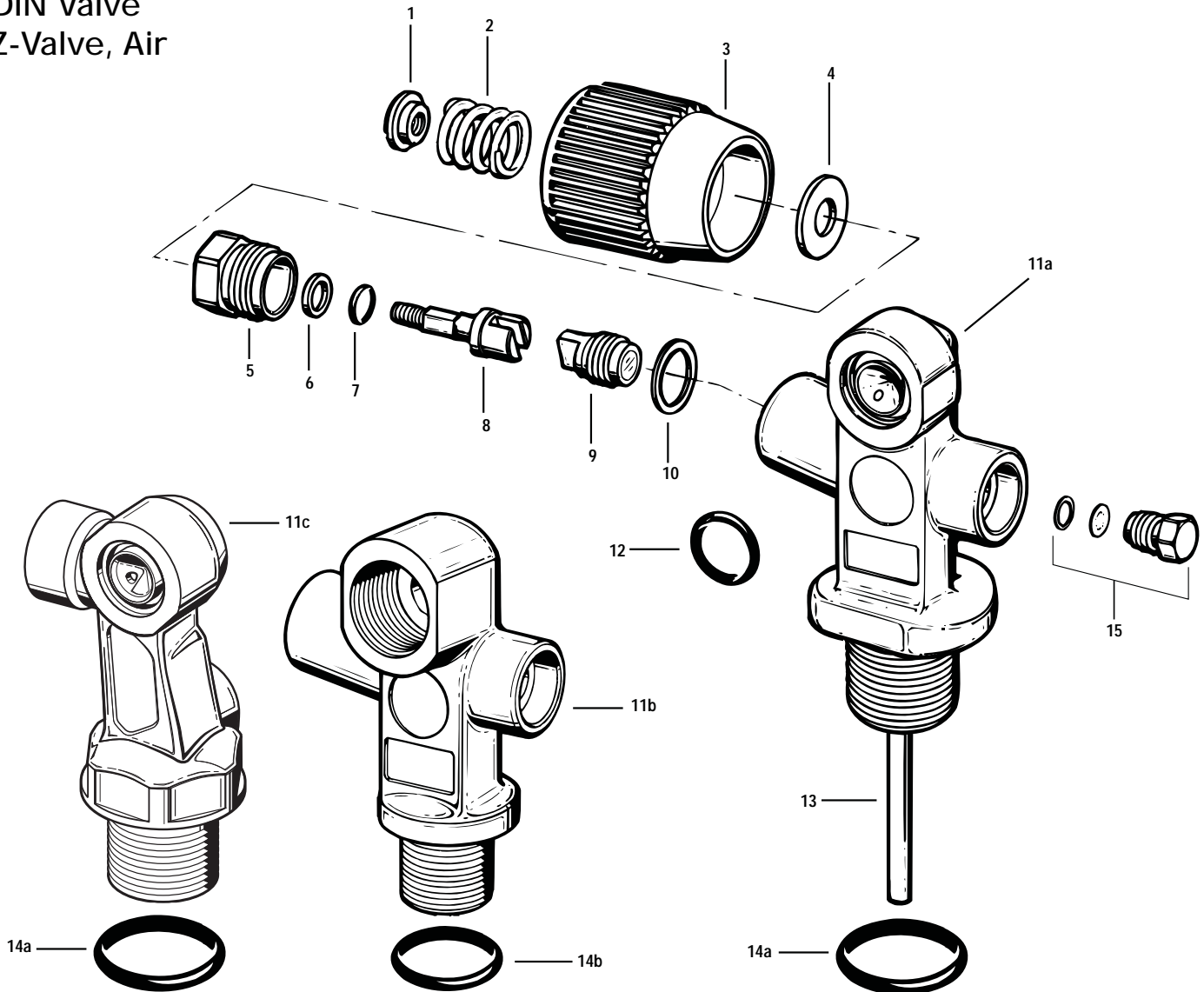
Key #	Part #	Description
18 ----	102004	Plug
19 ----	845022	Washer
----	107607	Washer (Cold Water)
20 ----	108513	Lever
----	107605	Lever (Cold Water)
21 ----	102517	Spacer
----	107606	Spacer (Cold Water)
<b>22 ----</b>	<b>102510</b>	<b>Locknut</b>
<b>23 ----</b>	<b>104940</b>	<b>Clamp, Clear</b>
----	<b>104913</b>	<b>Clamp, Black</b>
24 ----	105884	Comfo Bite Mouthpiece, Clear, Standard
----	105885	Comfo Bite Mouthpiece, Black, Standard
----	105829	Comfo Bite Mouthpiece, Black, Small
----	105889	Standard Mouthpiece, Clear
----	105879	Standard Mouthpiece, Black
<b>25 ----</b>	<b>820010</b>	<b>O-ring</b>
26 ----	090015	Hose Assy, 3/8" x 30"
----	102035	Hose Assy, 1/2" x 30"
<b>27 ----</b>	<b>957025</b>	<b>O-ring (Conshelf 30)</b>
----	<b>820011</b>	<b>O-ring (Standard)</b>

Part numbers in **BOLD ITALICS** indicate standard overhaul replacement part.

# **CYLINDER VALVES**

# Valves and Connectors

K-Valve  
DIN Valve  
Z-Valve, Air



Key #	Part #	Description
----	NLA	K-Valve - 3,000 psi
----	054235	DIN Valve, 240 BAR
----	054295	Z-Valve - 3,000 psi (Air)
1	054207	Nut, Handwheel Retaining
2	054209	Spring, Handwheel
3	054206	Handwheel
4	054212	Washer
5	054204	Bonnet
6	<b>054205</b>	<b>Washer, Packing</b>
7	<b>820010</b>	<b>O-ring, Stem</b>
8	054208	Stem
9	<b>054203</b>	<b>Seat Assembly</b>
10	<b>054216</b>	<b>Gasket, Bonnet</b>
11a	N/A	Body, K-Valve
11b	N/A	Body, DIN Valve

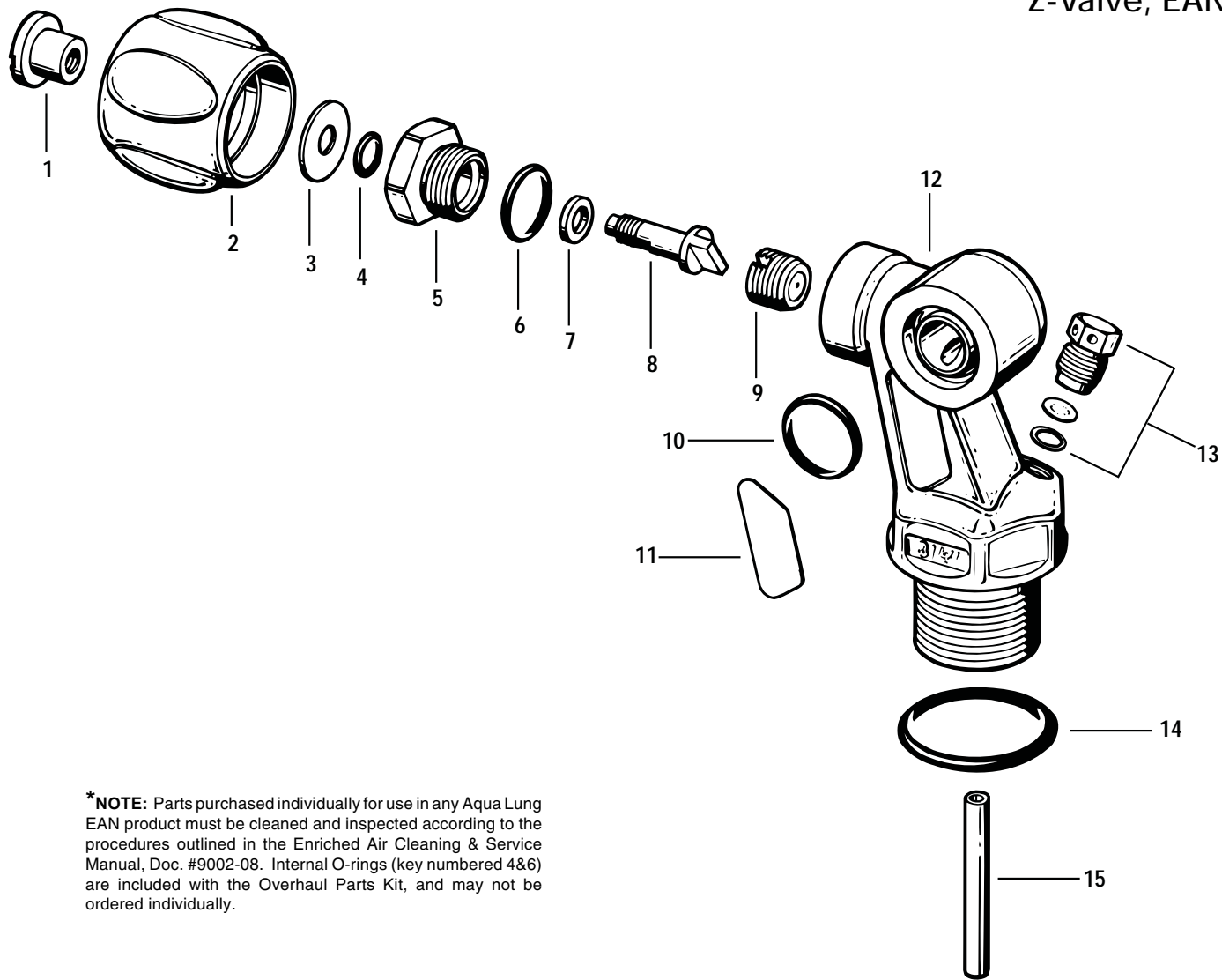
Key #	Part #	Description
11c	N/A	Body, Z-Valve
12	<b>820014</b>	<b>O-ring, Outlet</b>
13	054215	Dip Tube
14	<b>820214</b>	<b>O-ring, K-Valve</b>
14b	<b>054114</b>	<b>O-ring, DIN Valve</b>
15	<b>054201</b>	<b>Safety Plug Kit, 3,000 psi (Aluminum)</b>
	<b>054261</b>	<b>Safety Plug Kit, 3,500 psi (HP Steel)</b>
	<b>054221</b>	<b>Safety Plug Kit, 2,400 psi (LP Steel)</b>
	<b>054211</b>	<b>Safety Plug Kit, 2,250 psi (LP Steel)</b>
n/s	42485	Dust Cap, K-Valve
n/s	42484	Dust Cap, DIN Valve
n/s	054228	Dust Cap, Z-Valve

Part numbers in **BOLD ITALICS** indicate standard overhaul replacement part.



# Valves and Connectors

## Z-Valve, EAN



**\*NOTE:** Parts purchased individually for use in any Aqua Lung EAN product must be cleaned and inspected according to the procedures outlined in the Enriched Air Cleaning & Service Manual, Doc. #9002-08. Internal O-rings (key numbered 4&6) are included with the Overhaul Parts Kit, and may not be ordered individually.

Key #	Part #	Description
-------	--------	-------------

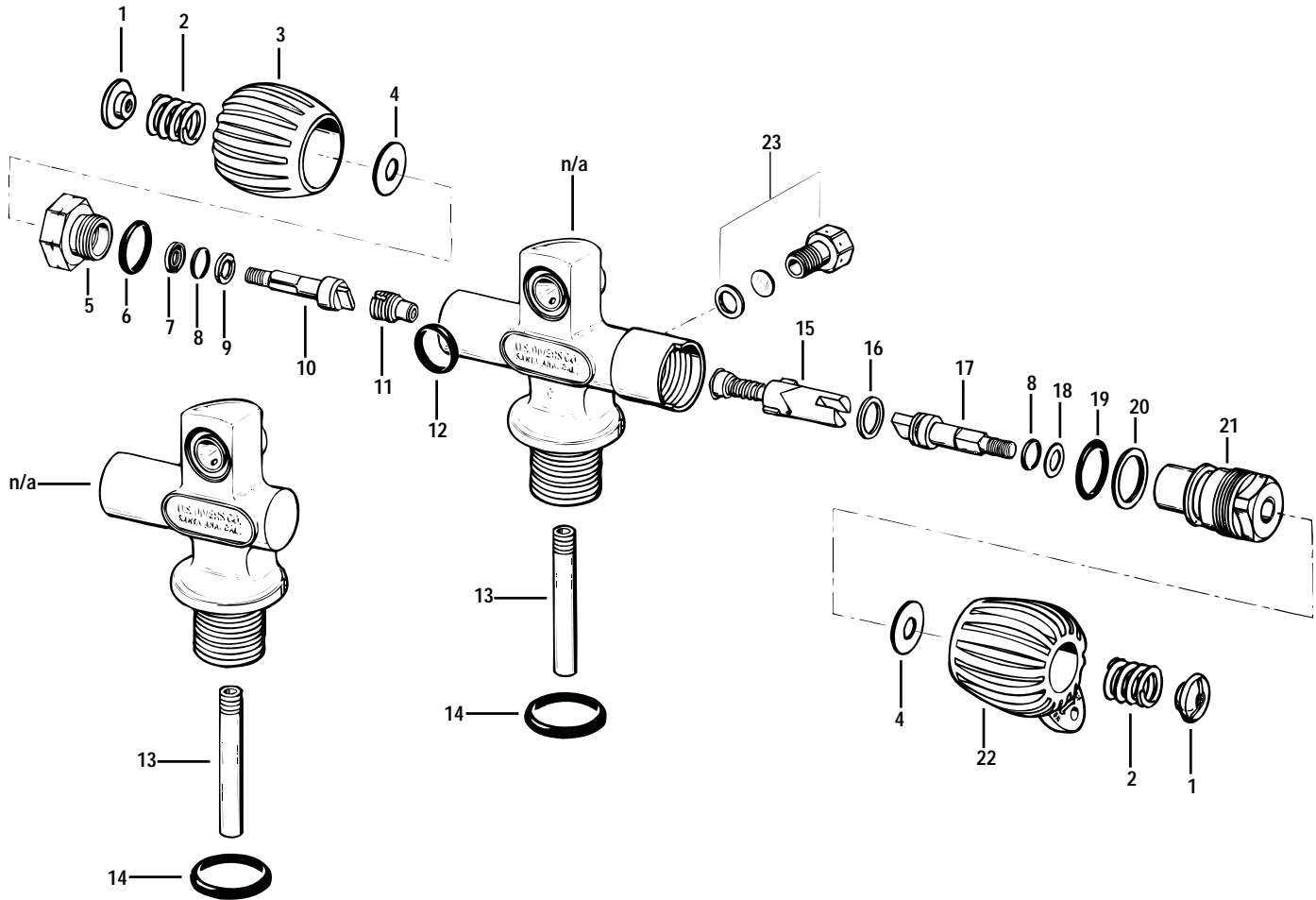
----	NLA	EAN Z-Valve - 3,000 psi
----	<b>900209</b>	<b>Overhaul Parts Kit</b>
1	---- 054266	Nut, Handwheel Retaining
2	---- 054264	Handwheel
3	---- 054263	Washer
4	---- <b>n/a*</b>	<b>O-ring (EAN)</b>
5	---- 054259	Bonnet
6	---- <b>n/a*</b>	<b>O-ring (EAN)</b>
7	---- <b>054258</b>	<b>Washer, Packing</b>
8	---- 054257	Stem
9	---- <b>054256</b>	<b>Seat</b>
10	---- <b>C820049</b>	<b>O-ring (EAN)</b>
11	---- NLA	Decal
12	---- NLA	Body, Z-Valve
13	---- <b>054252</b>	<b>Burst Disc Assembly</b>
14	---- <b>C820064</b>	<b>O-ring (EAN)</b>
15	---- 051821	Dip Tube
n/s	--- 054228	Protective Cap, Z-Valve
n/s	--- 750042	Gas Analysis Tag

Part numbers in **BOLD ITALICS** indicate standard overhaul replacement part.

# Valves and Connectors

## J-Valve

## K-Valve (Discontinued)



Key #	Part #	Description
----	054500	J-Valve (3000 psi)
----	NLA	K-Valve (3000 psi)
1	052518	Nut, Handle Retaining (2 req. on J-Valve)
2	050107	Spring (2 req. on J-Valve)
3	052541	Handwheel
4	845058	Washer (2 req. on J-Valve)
5	050233	Bonnet, Left Handed Thread
6	050216	Bonnet, Right Handed Thread
<b>6</b>	<b>957007</b>	<b>O-ring</b>
<b>7</b>	<b>828510</b>	<b>Back-up ring</b>
<b>8</b>	<b>820010</b>	<b>O-ring</b>
<b>9</b>	<b>921019</b>	<b>Thrust Washer</b>
10	052521	Stem, K-Valve
<b>11</b>	<b>052519</b>	<b>Seat, J-Valve</b>
<b>11</b>	<b>050109</b>	<b>Seat, K-Valve</b>
<b>12</b>	<b>820120</b>	<b>O-ring</b>
13	051821	Dip Tube
<b>14</b>	<b>820214</b>	<b>O-ring</b>
15	052508	Reserve Assembly
15	052548	Reserve Assembly, Red (SEE NOTE)

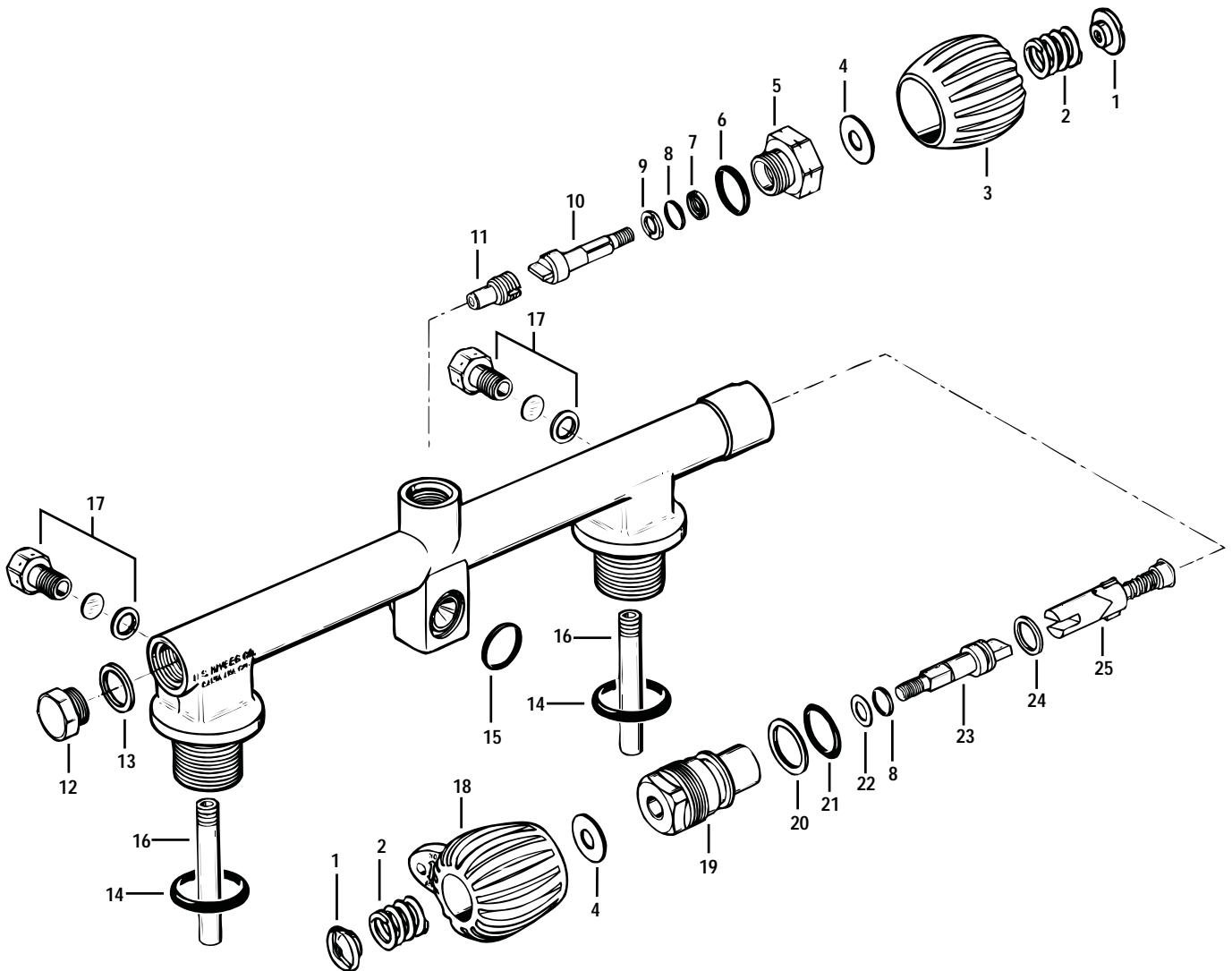
Key #	Part #	Description
16	845021	Washer
17	052514	Stem, J-Valve
<b>18</b>	<b>821014</b>	<b>Gasket</b>
<b>19</b>	<b>820015</b>	<b>O-ring</b>
<b>20</b>	<b>828515</b>	<b>Back-up Ring</b>
21	052515	Bonnet
22	052540	Handwheel, Reserve
<b>23</b>	<b>050241</b>	<b>Safety Disc Assembly, 3000 psi</b>
<b>23</b>	<b>050242</b>	<b>Safety Disc Assembly, 2250 psi</b>
n/s	074305	Reserve Pull Rod, J-Valve

**NOTE:** Reserve Assembly (PN 0525-48) is to be used on valves which have "Japan" stamped on the base of the valve body. If replacement of the reserve assembly is required, do not use the 0525-08 reserve assembly in valves stamped with "Japan". The 0525-48 reserve assembly is dyed red to differentiate between the reserve assemblies.

Part numbers in **BOLD ITALICS** indicate standard overhaul replacement part.

# Valves and Connectors

## Twin Tank Manifold w/Reserve



Key #	Part #	Description	Key #	Part #	Description
----	280000	Twin J-Valve Manifold (SEE NOTE)	17----	<b>050241</b>	<b>Safety Disc Assembly, 3000 psi</b>
1----	052518	Nut, Handle Retaining	17----	<b>050242</b>	<b>Safety Disc Assembly, 2250 psi</b>
2----	050107	Spring	18----	280040	Handwheel, Reserve
3----	052541	Handwheel	19----	052515	Bonnet
4----	845058	Washer	20----	<b>828515</b>	<b>Back-up Ring</b>
5----	050233	Bonnet	21----	<b>820015</b>	<b>O-ring</b>
6----	<b>957007</b>	<b>O-ring</b>	22----	<b>821014</b>	<b>Gasket</b>
7----	<b>828510</b>	<b>Back-up Ring</b>	23----	052514	Stem, J-Valve
8----	<b>820010</b>	<b>O-ring</b>	24----	<b>845021</b>	<b>Washer</b>
9----	<b>921019</b>	<b>Gasket</b>	25----	052508	Reserve Assembly
10----	052521	Stem, K-Valve	n/s----	074305	Reserve Pull Rod
11----	<b>280013</b>	<b>Seat, Std. Twin</b>			
11----	<b>050109</b>	<b>Seat, Triple/Twin 30's</b>			
12----	050221	Plug			
13----	<b>821011</b>	<b>Gasket</b>			
14----	<b>820214</b>	<b>O-ring</b>			
15----	<b>820120</b>	<b>O-ring</b>			
16----	051821	Dip Tube			

**NOTE:** Manifold bodies are not available as a spare part.

Part numbers in **BOLD ITALICS** indicate standard overhaul replacement part.

**BUOYANCY**  
**COMPENSATORS**

# Buoyancy Compensators

## Air Source

Key #	Part #	Description	Key #	Part #	Description
n/s	<b>42608</b>	<b>Air Source Service Kit</b>	n/s	41501	QD Fitting Cover w/ String
1	15111	Quick disconnect fitting	n/s	42801	Spiral Hose Assy (includes items 13-20)
<b>2</b>	<b>15055</b>	<b>Sintered Filter</b>	n/s	42308	LP Hose Adapter (Air Source to Std. BC hose)
<b>3</b>	<b>820010</b>	<b>O-ring</b>	n/s	41522	25" LP Hose, Air Source
4	15026	Crown	n/s	25455	27" LP Hose, Air Source
<b>5</b>	<b>820313</b>	<b>O-ring</b>	n/s	41523	29.5" LP Hose, Air Source
<b>6</b>	<b>820112</b>	<b>O-ring</b>	n/s	42639	O-ring Kit, Air Source Quick Disconnect
7	15089	Crown Housing			
<b>8</b>	<b>15027</b>	<b>Poppet Seat</b>			
9	15103	Poppet			
10	15110	Poppet Spring			
11	15113	Poppet Housing			
12	15049	Poppet Guide			
13	15118	Upper Cable			
14	15096	Spiral Hose, 8"			
15	15090	Trim Grip			
16	15098	Spiral Hose, 6"			
17	15117	Lower Cable			
18	15735	Hose Clip			
<b>19</b>	<b>15719</b>	<b>Clamp</b>			
20	15106	Pin, 0.71			
21	15610	Pin, 1.0			
22	15099	Oral Button Cover, Blue			
23	15083	Oral Poppet			
24	15095	Oral Spring			
25	15093	Oral Bezel			
26	15094	Body			
27	42802	Mouthpiece (w/ 2 Retainers)			
28	15104	Mouthpiece Retainer			
<b>29</b>	<b>820011</b>	<b>O-ring</b>			
<b>30</b>	<b>820016</b>	<b>O-ring</b>			
31	15092	Valve Retainer			
<b>32</b>	<b>778564</b>	<b>Valve Core</b>			
33	15112	Spring			
34	15081	Inflator Button			
35	15086	Inflator Button Cover, Blue			
36	15080	Inflator Bezel			
37	42641	Oral Seal Kit (includes 37a)			
37a	N/A	Oral Seal Washer			
38	15107	Screw			
39	15078	Exhaust Retainer			
<b>40</b>	<b>15105</b>	<b>Exhaust Valve Diaphragm</b>			
41	15082	Exhaust Cap			
42	42804	Demand Lever w/ Button			
43	15039	Washer			
<b>44</b>	<b>15020</b>	<b>Locknut</b>			
45	42803	Diaphragm Assy			
46	15084	Diaphragm Ring			
47	15087	Diaphragm Retainer			
48	15091	Purge Button			

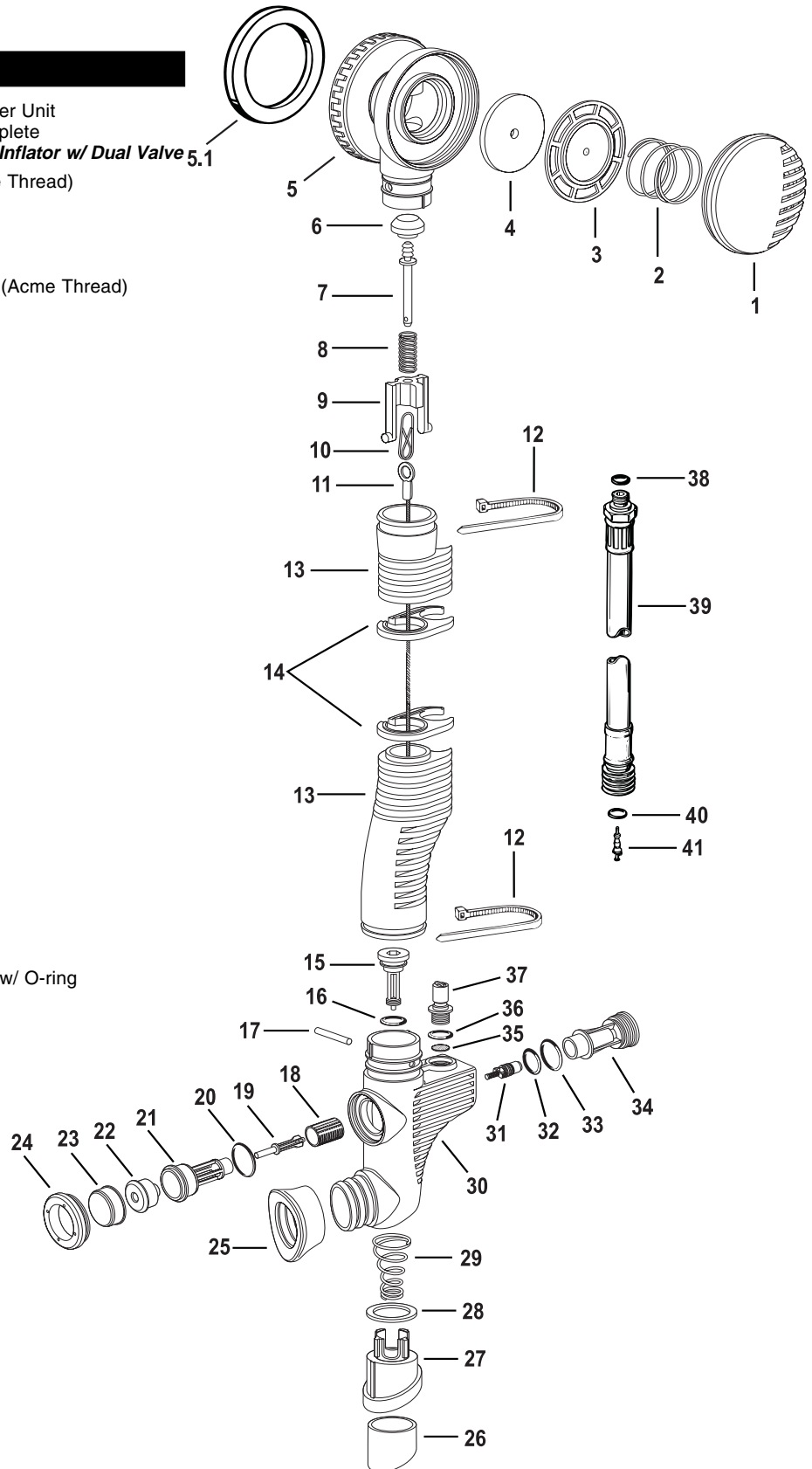
Part numbers in **BOLD ITALICS** indicate standard overhaul replacement parts.

# Buoyancy Compensators

## Powerline Airway

Key #	Part #	Description
-------	--------	-------------

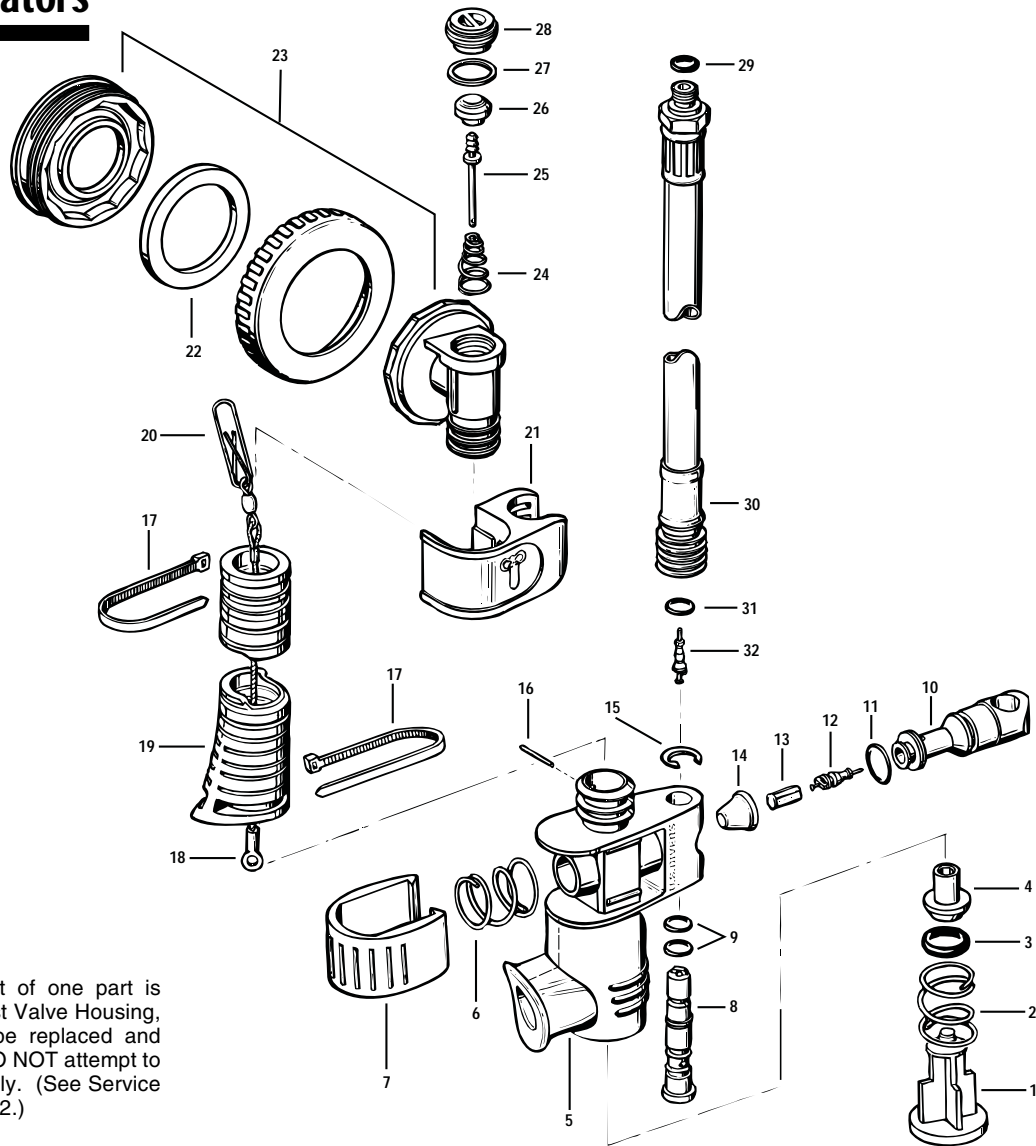
n/s	--- 42747	Powerline Inflator, Lower Unit
n/s	--- 42746	Powerline Airway, Complete
<b>n/s</b>	<b>--- 42609</b>	<b>Service Kit, Powerline Inflator w/ Dual Valve 5.1</b>
n/s	--- 42743	Dual Valve Assy (Acme Thread)
1	--- 15700	Cap
2	--- 15613	Overpressure Spring
3	--- 15698	Valve Plate
<b>4</b>	<b>--- 15714</b>	<b>Seal</b>
5	--- 42742	Body Assy, Dual Valve (Acme Thread)
5.1	--- 15309	Gasket
<b>6</b>	<b>--- 778559</b>	<b>Dump Plug</b>
7	--- 778558	Poppet Stem
8	--- 15901	Dump Spring
9	--- 15649	Poppet Guide
10	--- 15652	Cable Hook
11	--- 15724	Cable Assembly
<b>12</b>	<b>--- 15719</b>	<b>Clamp</b>
13	--- 15740	Ribbed Hose
14	--- 15735	Hose Clip
15	--- 15736	Poppet, Oral Valve
<b>16</b>	<b>--- 820092</b>	<b>O-ring</b>
17	--- 15610	Cable Pin
<b>18</b>	<b>--- 15720</b>	<b>Filter Screen</b>
19	--- 15743	Push Rod
<b>20</b>	<b>--- 820016</b>	<b>O-ring</b>
21	--- 15749	Push Rod Housing
22	--- 15747	Button
23	--- 15086	Button Cover
24	--- 15746	Bezel
25	--- 15741	Mouthpiece
26	--- 15745	Molded Insert
27	--- 15742	Oral Button
<b>28</b>	<b>--- 15718</b>	<b>Gasket</b>
29	--- 15709	Oral Valve Spring
30	--- 15750	Body
<b>31</b>	<b>--- 15504</b>	<b>Valve Core</b>
<b>32</b>	<b>--- 957025</b>	<b>O-ring</b>
<b>33</b>	<b>--- 820014</b>	<b>O-ring</b>
34	--- 15744	Valve Retainer
<b>35</b>	<b>--- 15628</b>	<b>Filter</b>
<b>36</b>	<b>--- 820011</b>	<b>O-ring</b>
37	--- 090018	Quick Disconnect Plug w/ O-ring
<b>38</b>	<b>--- 820011</b>	<b>O-ring</b>
39	--- 24822	LP Inflator Hose, 22"
	--- 24825	LP Inflator Hose, 25"
	--- 24827	LP Inflator Hose, 27"
	--- 24833	LP Inflator Hose, 33"
<b>40</b>	<b>--- 820043</b>	<b>O-ring</b>
<b>41</b>	<b>--- 778564</b>	<b>Valve Core</b>



Part numbers in **BOLD ITALICS** indicate standard overhaul replacement part.

# Buoyancy Compensators

## AirMic Airway



**\*NOTE:** When replacement of one part is necessary, the Rapid Exhaust Valve Housing, Manifold, and Collar must be replaced and installed together as a kit. DO NOT attempt to replace these parts individually. (See Service Addendum - Doc. No. 7786-02.)

Key #	Part #	Description
----	778660	AirMic Airway Assy, Complete (Standard)
----	778670	AirMic Airway Assy, Complete (Alcyone & SeaMaster)
----		
1 ----	778658	Oral Inflation/Deflation Button
2 ----	778623	Spring
3 ----	<b>820047</b>	<b>O-ring</b>
4 ----	778659	Button Retainer
5 ----	778613	Inflater Housing Assy
6 ----	778623	Spring
7 ----	778606	Power Inflater Button-NY
----	778641	Power Inflater Button-Aqua
----	778617	Power Inflater Button-Blue
----	778627	Power Inflater Button-Grey
8 ----	778618	Inlet Fitting Assy
9 ----	<b>820010</b>	<b>O-ring</b>
10 ----	778616	Valve Body
11 ----	<b>820013</b>	<b>O-ring</b>
12 ----	<b>778564</b>	<b>Schraeder Valve</b>
13 ----	778624	Pin
14 ----	778614	Cap
15 ----	860137	Retaining Ring
16 ----	778546	Roll Pin
17 ----	104913	Clamp
18 ----	778648	Cable Assy (Standard Length)
----	778649	Cable Assy (Long - Alcyone)

Key #	Part #	Description
19 ----	778653	Airway Tube (Standard Length)
----	778652	Airway Tube (Long - Alcyone)
20 ----	15652	Clip, Cable
21 ----	778615	Airway Retainer
22 ----	<b>15309</b>	<b>Gasket, AirMic Manifold</b>
23 ----	NLA	Kit, Housing, Manifold, Collar, & Gasket*
n/s ----	020107	Manifold Thread Adhesive
24 ----	778542	Spring, Rapid Exhaust Valve
25 ----	778558	Stem, Rapid Exhaust Valve
26 ----	<b>778559</b>	<b>Seat, Rapid Exhaust Valve</b>
27 ----	<b>778568</b>	<b>Gasket, Rapid Exhaust Valve</b>
28 ----	778543	End Plug, Rapid Exhaust Valve
29 ----	<b>820011</b>	<b>O-ring</b>
30 ----	24822	LP Inflater Hose, 22"
----	24825	LP Inflater Hose, 25"
----	24827	LP Inflater Hose, 27"
----	24833	LP Inflater Hose, 33"
----	25455	LP Inflater Hose, Hi Flo, 27.5" (AirMic only)
----	41523	LP Inflater Hose, Hi Flo, 29.5" (AirMic only)
----	090017	LP Inflater Hose, Hi Flo, 33" (AirMic only)
31 ----	<b>820043</b>	<b>O-ring</b>
32 ----	<b>778564</b>	<b>Valve Core</b>
n/s ----	<b>42639</b>	<b>O-ring Kit, Hi-flow Quick Disconnect</b>

Part numbers in **BOLD ITALICS** indicate standard overhaul replacement part.

## Maverick, Malibu, Elan, Wave, Wave Jr., Sea Master, Cousteau RDS, Alcyone

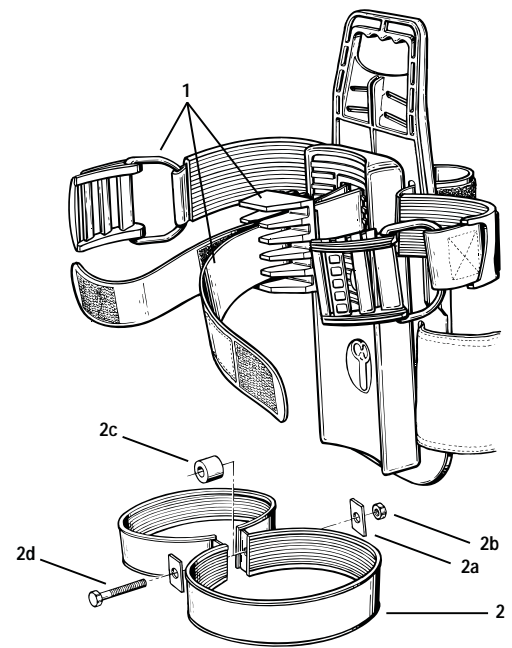
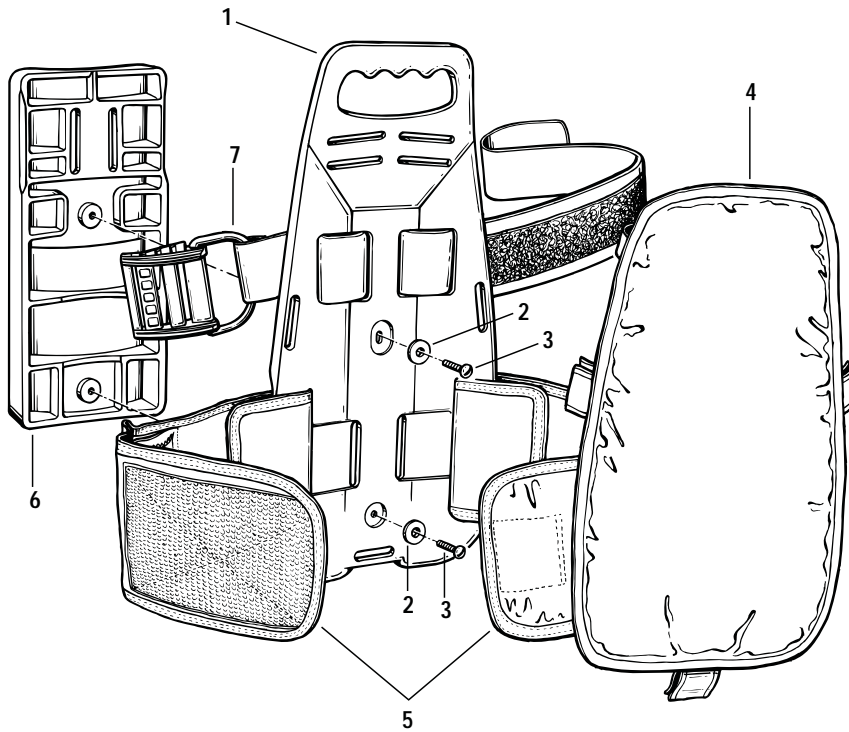
Key #	Part #	Description	Key #	Part #	Description		
<b>Maverick</b>							
1	----	42726	Weight Pouch (single)	1	----	769296	Weight pouch (single)
2	----	42754	Universal pull dump and OP relief valve	2	----	42754	Universal pull dump and OP relief valve
3	----	10017	Traction sleeve, tank band	3	----	10017	Traction sleeve, tank band
4	----	088107	Traction pad, slotted	4	----	28228	Universal tank band
5	----	28228	Universal tank band	5	----	761947	Stabilizer strap, cylinder
6	----	12024	1 1/2" side rlse buckle female (waistband)	6	----	769243	Waistband assembly, left, small
7	----	12037	1 1/2" side rlse buckle male (waistband)	7	----	769244	Waistband assembly, right, small
<b>Malibu</b>							
1	----	42748	Weight Pouch (single)	8	----	769245	Waistband assembly, left, m, lg, xl
2	----	42754	Universal pull dump and OP relief valve	9	----	769246	Waistband assembly, right, m, lg, xl
3	----	10017	Traction sleeve, tank band	10	----	15071	Waistband screw
4	----	28228	Universal tank band	11	----	15072	Waistband nut
5	----	761947	Stabilizer strap, cylinder	<b>Cousteau RDS</b>			
6	----	12024	1 1/2" side rlse buckle female (waistband)	1	----	42749	Weight pouch (single)
7	----	12037	1 1/2" side rlse buckle male (waistband)	2	----	42754	Universal pull dump and OP relief valve
8	----	427039	Removable chest strap kit	3	----	call repair	Backpack
9	----	12060	Snap hook (in key pocket)	4	----	761947	Stabilizer strap, cylinder
<b>Elan</b>							
1	----	42748	Wt. Pouch (single)	1	----	778633	Manifold
2	----	42754	Universal pull dump and OP relief valve	2	----	42754	Universal Pull dump and OP relief valve
3	----	10017	Traction sleeve, tank band	3	----	12039	Hose retainer, clip-on
4	----	28228	Universal tank band	<b>Alcyone</b>			
5	----	761947	Stabilizer strap, cylinder	<b>Miscellaneous</b>			
6	----	12024	1 1/2" side rlse buckle female (waistband)	1	----	42611	BC Patch Kit
7	----	12037	1 1/2" side rlse buckle male (waistband)	2	----	13211	CO2 Cartridge, 16 gr., for Snorkel Vest
8	----	12039	Hose retainer, clip-on				
<b>Wave / Wave Jr.</b>							
1	----	42754	Universal pull dump and OP relief valve				
2	----	10017	Traction sleeve, tank band				
3	----	088107	Traction pad, slotted				
4	----	28228	Universal tank band				
5	----	427056	Tank band, 30 cu. ft. cyl. (Junior version)				
6	----	12024	1 1/2" side rlse buckle female (waistband)				
7	----	12037	1 1/2" side release buckle male (waistband)				
8	----	427041	Removable back pad (one size fits all)				
9	----	427057	Crotch strap kit (Junior version only)				
10	----	427050	Waistband XS 41"				
11	----	427051	Waistband SM 43"				
12	----	427052	Waistband MD 47"				
13	----	427054	Waistband LG 52"				
14	----	427055	Waistband XL 55"				
15	----	12090	Backpack (one size fits all)				
16	----	42718	Weight pouch (Junior version only)				



# Buoyancy Compensators

## Sonic Back Pack Assembly & Twin Cylinder Adapter

(For Alcyone, Sonic, Sea Master, Malibu & Cousteau RDS B.C.'s)



### Key # Part # Description

#### Sonic Backpack Assembly

1	----	10074	Backpack Frame, Sonic, X-Sm, Sm, Med
1	----	10073	Backpack Frame, Sonic, Lg & X-Lg
2	----	10071	Washer
3	----	10072	Screw
4	----	766763	Backpack Pad, Sonic II, Sm
4	----	766761	Backpack Pad, Sonic II, Lg
5	----	766745	Cummerbund, Sonic II, X-Sm
5	----	766746	Cummerbund, Sonic II, Sm
5	----	766747	Cummerbund, Sonic II, Med
5	----	766748	Cummerbund, Sonic II, Lg
5	----	766749	Cummerbund, Sonic II, X-Lg
6	----	10075	Backpack Cradle Assy
7	----	28228	Cylinder Band w/ Cam Assy

### Key # Part # Description

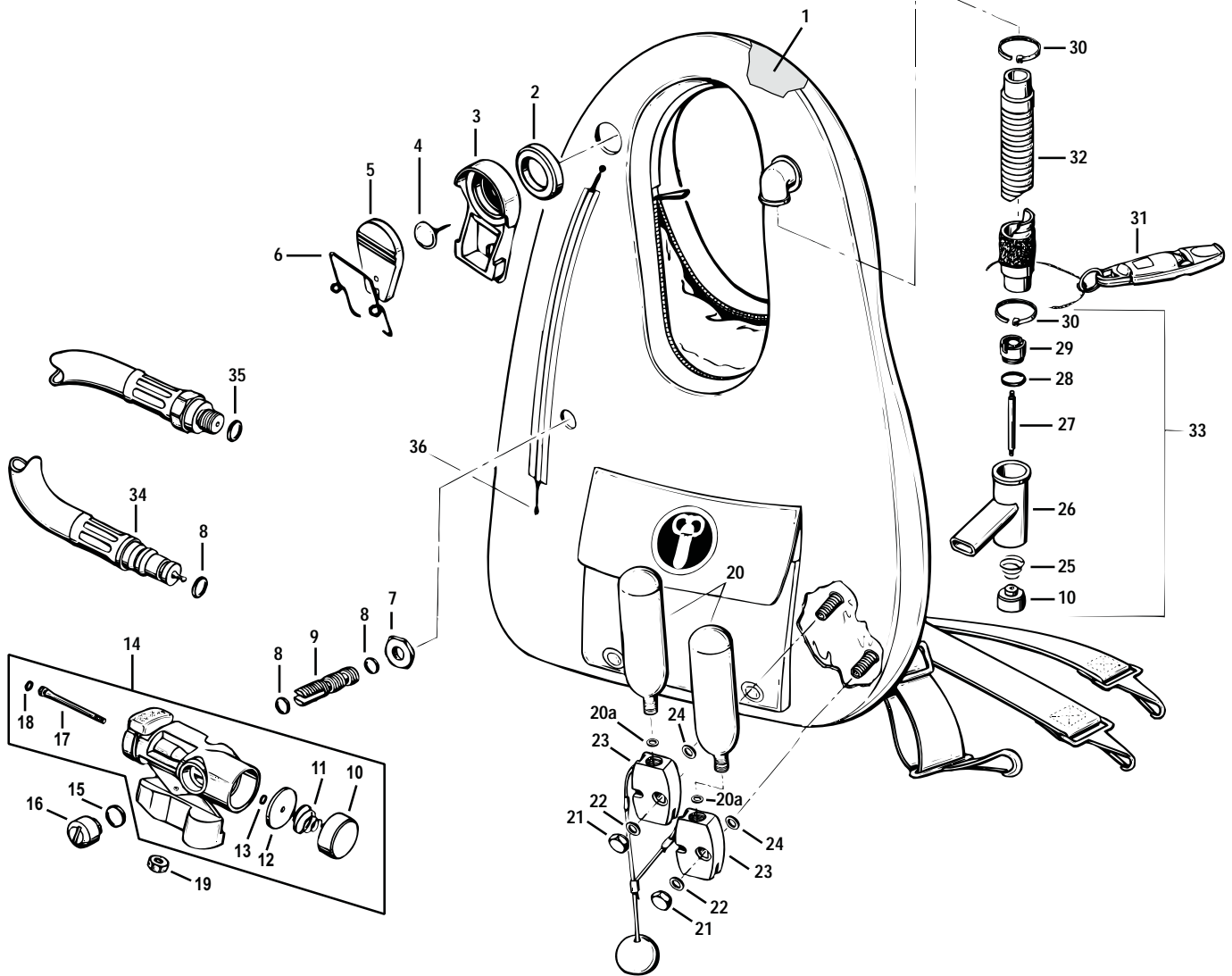
#### Twin Cylinder Adapter Kits

1	----	083403	Twin Cylinder Spacer Kit (includes webbing)
2	----	083405	Twin Cylinder Band Kit (7.25" diameter)
2a	----	081245	Back Up Plate
2b	----	852021	Nut
2c	----	082729	Sleeve
2d	----	838031	Bolt

# Buoyancy Compensators

## Military BC 3940-00

(1997 & Earlier)



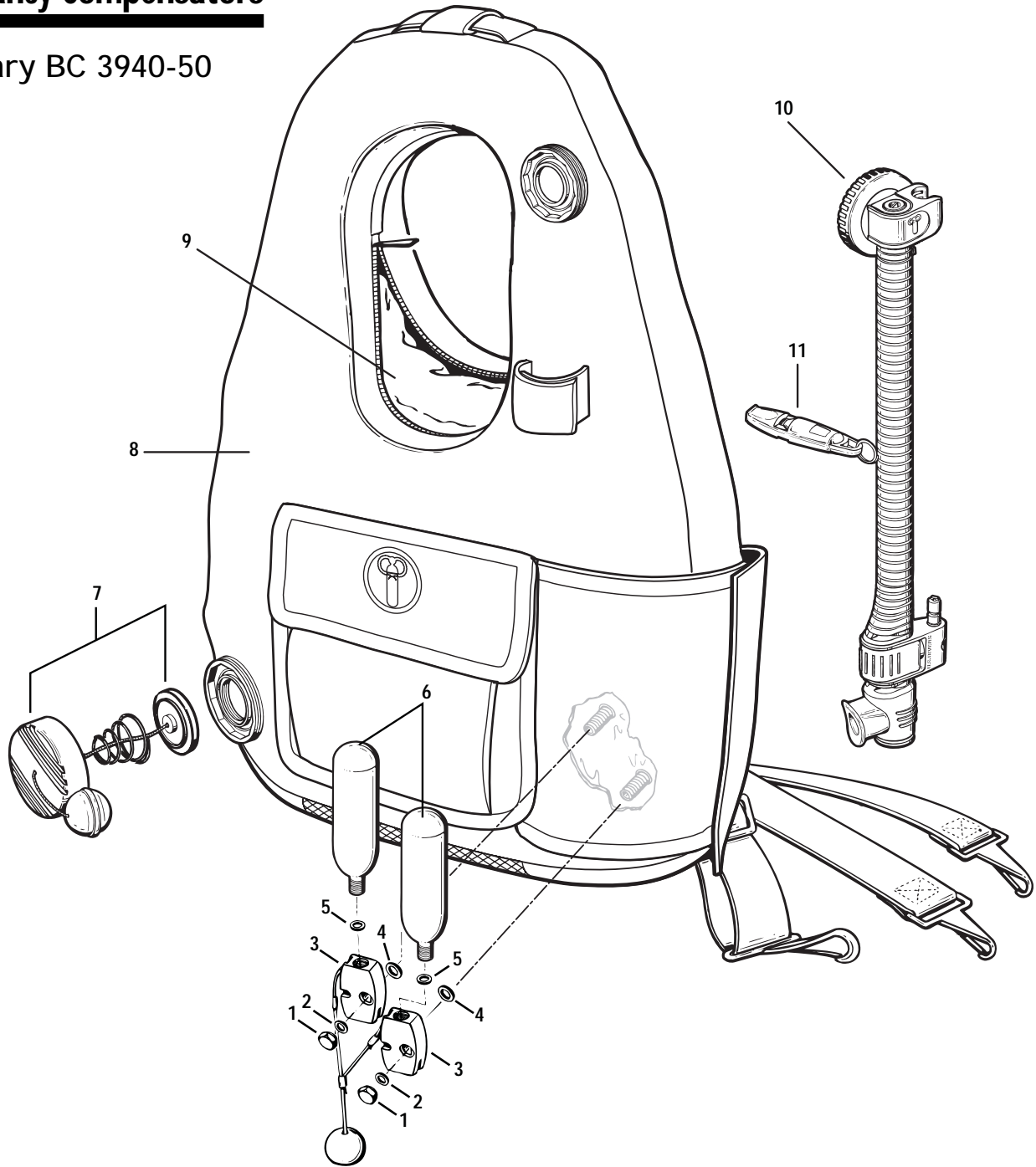
Key #	Part #	Description
1	393933	Bladder, Military Model
2	<b>704020</b>	<b>Seal</b>
3	NLA	Housing, Relief Valve
4	<b>703219</b>	<b>Purge Valve</b>
5	770021	Poppet
6	703217	Relief Spring
7	852024	Hex Nut
8	<b>820010</b>	<b>O-ring</b>
9	703321	Stud
10	703314	Button
11	102708	Spring
12	NLA	Washer
13	<b>820080</b>	<b>O-ring</b>
14	770028	Power Inflator Assembly
15	<b>820013</b>	<b>O-ring</b>
16	703313	Cap
17	703312	Stem
18	<b>820004</b>	<b>O-ring</b>
19	<b>770026</b>	<b>Lock Nut</b>
20	13220	CO <sub>2</sub> Cartridge, 38 gram
20a	704014	Gasket, CO <sub>2</sub> Cartridge

Key #	Part #	Description
21	13216	Cap Nut
22	<b>821020</b>	<b>Gasket</b>
23	13207	Firing Mechanism, W/O Ball & Cord
24	<b>15119</b>	<b>Gasket</b>
25	NLA	Spring
26	703280	Housing, Oral Inflator
27	703284	Stem
28	<b>820109</b>	<b>O-ring</b>
29	703288	Poppet
30	<b>104913</b>	<b>Clamp</b>
31	12219	Whistle
32	NLA	Corrugated Tube
33	NLA	Oral Inflator Assembly
34	703326	LP Hose Assembly
35	<b>820011</b>	<b>O-ring</b>
36	NLA	Cable Assy w/ Guide
n/s	Z770024	Cable w/Adjuster

Part numbers in **BOLD ITALICS** indicate standard overhaul replacement part.

# Buoyancy Compensators

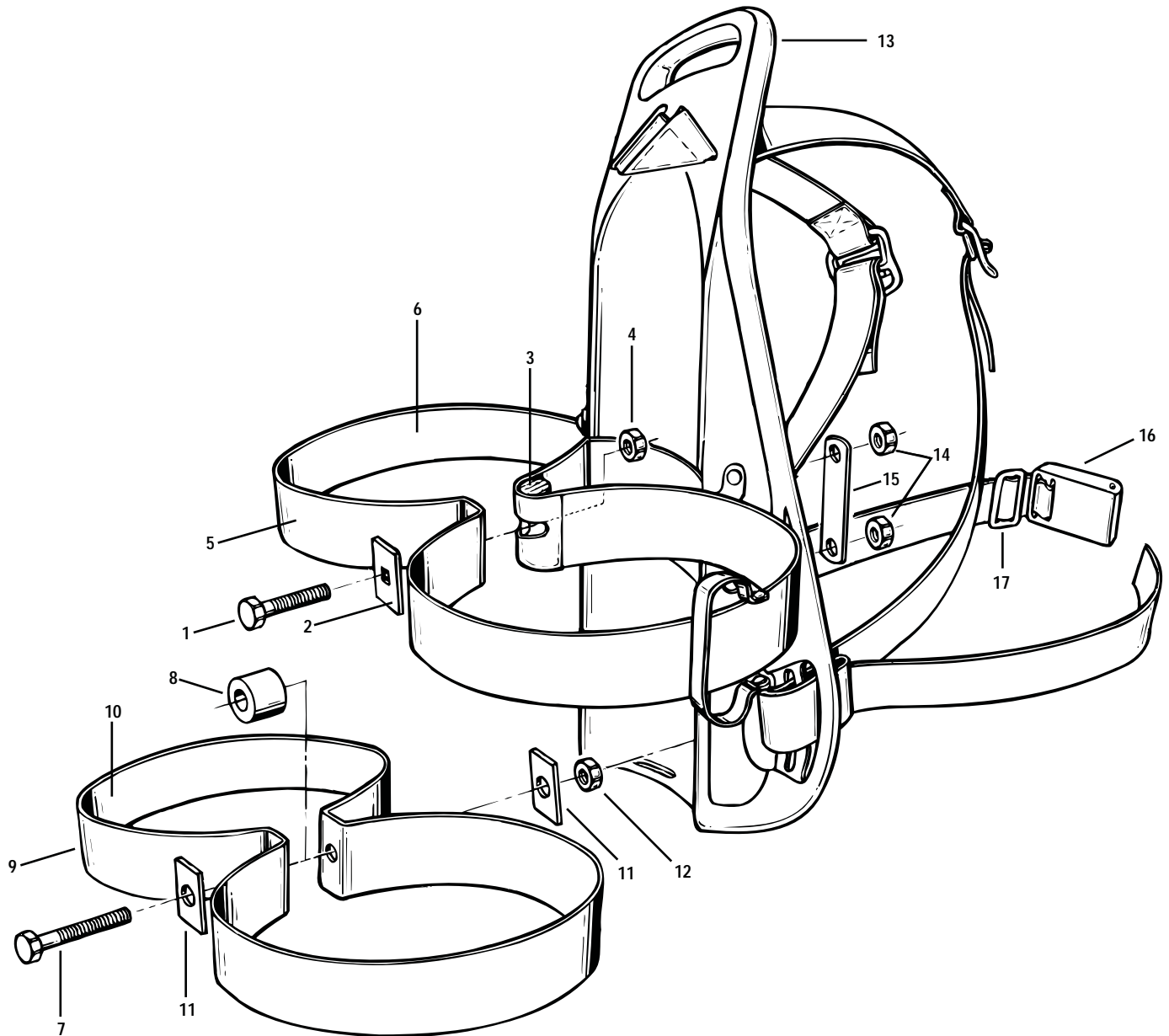
## Military BC 3940-50



Key #	Part #	Description
1	13216	Cap Nut
2	<b>821020</b>	<b>Gasket</b>
3	13207	Firing Mechanism, W/O Ball & Cord
4	<b>15119</b>	<b>Gasket</b>
5	704014	Gasket, CO <sub>2</sub> Cartridge
6	13220	CO <sub>2</sub> Cartridge, 38 gram
7	42754	Overpressure Relief Valve Assembly
8	n/a	Outer Bag
9	394052	Inner Bladder
10	778691	AirMic Airway Assy, Complete (Std. Length)
	42746	Powerline Airway Assy (after 8/2000)
11	12219	Whistle

Part numbers in **BOLD ITALICS** indicate standard overhaul replacement part.

## Mariner Twin Back Pack

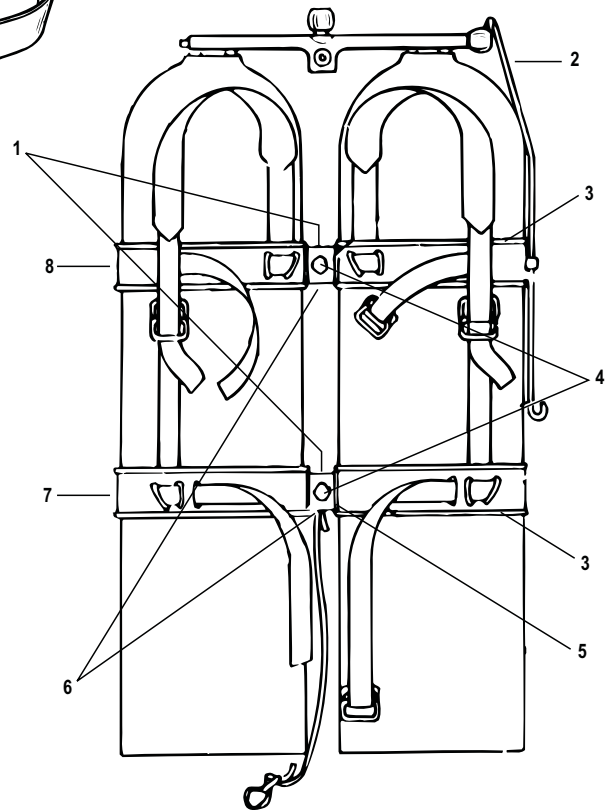
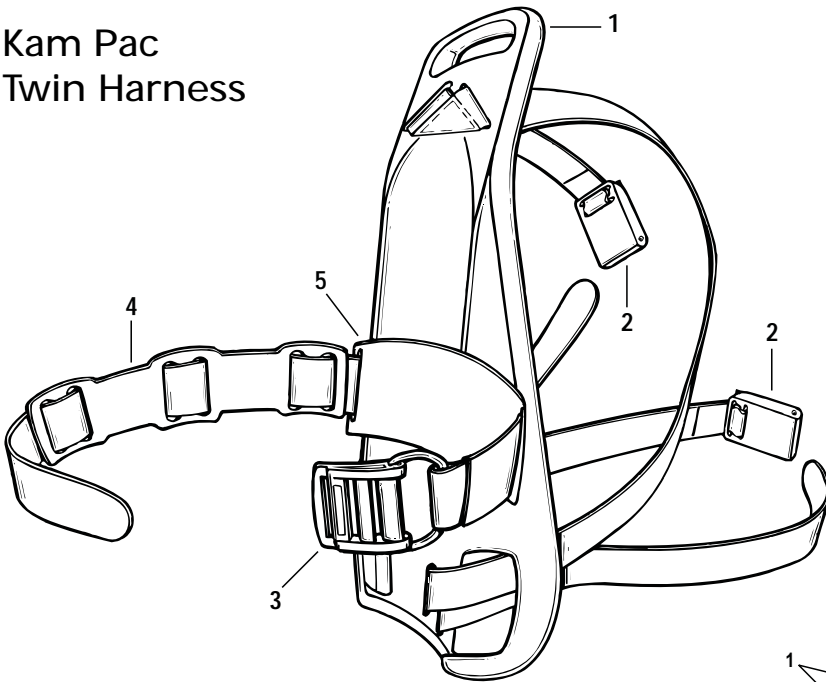


Key #	Part #	Description
----	083400	Mariner Twin Back Pack
1 ----	838032	Bolt, Hex, .3125-18 x 3"
2 ----	082304	Plate, Back-up
3 ----	082923	Spacer
4 ----	852021	Nut, Hex, 5/16 - 18
5 ----	083401	Band Assy., Top, 7.25"
6 ----	082940	Cover, Non-slip
7 ----	838031	Bolt, Hex, .312-18 x 4"
8 ----	082729	Spacer, 1" x 2", Blk Nylon
9 ----	083410	Band Assembly, Bottom, 7.25"
10 ----	081240	Cover, Non-slip

Key #	Part #	Description
11 ----	081245	Plate, Back-up
12 ----	852021	Nut, Hex, 5/16 - 18
13 ----	082801	Frame
14 ----	852014	Nut, #10-32, Brass
15 ----	081810	Brace
16 ----	10081	Buckle Assembly
17 ----	762325	Slide, Buckle

# Cylinder Harnesses

## Kam Pac Twin Harness



### Key # Part #

### Description

#### Kam Pac Assembly

----	088150	Kam-Pac Assy, Complete	
1	----	088110	Frame
2	----	10081	Buckle Assy
3	----	28228	Cylinder Band
4	----	10017	Cylinder Pad
5	----	088107	Cylinder Pad, Soft Band
n/s	---	088151	Non-Slip Lanyard

### Key # Part #

### Description

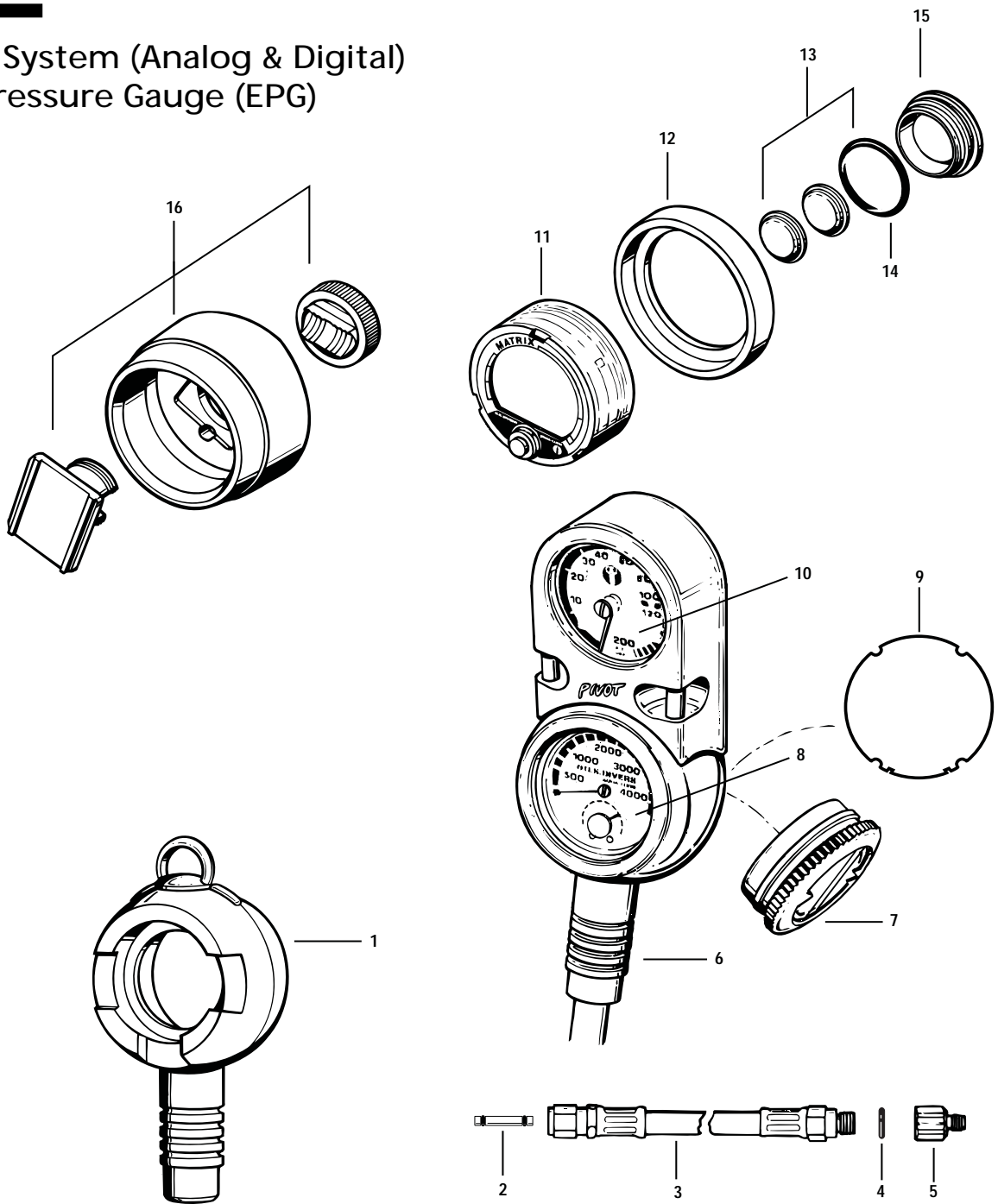
#### Twin Harness Assembly (For 7.25" Cylinders)

----	082700	7.25" Harness Assembly, Complete	
----	081200	6.9" Harness Assembly, Complete	
----	081215	Strap Kit	
1	----	081245	Back-up Plate
2	----	074305	Reserve Pull Rod
3	----	081240	Non-Slip Cover
4	----	838031	Bolt
5	----	082729	Spacer
6	----	852021	Hex Nut
7	----	082723	Bottom Band Assy
8	----	082721	Top Band Assy

# **I**STRUMENTATION

# Instrumentation

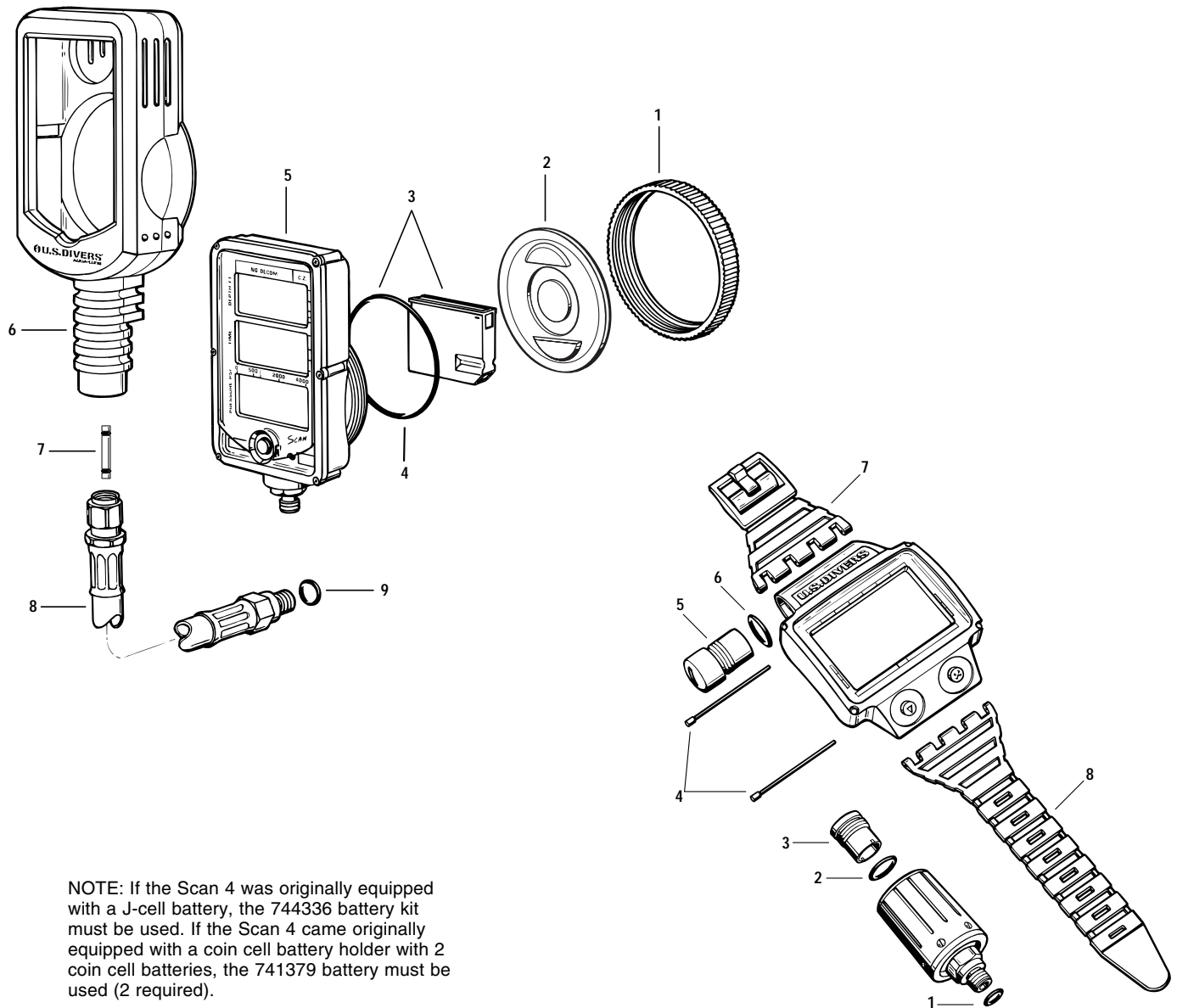
## Pivot Gauge System (Analog & Digital) Electronic Pressure Gauge (EPG)



Key #	Part #	Description
1	744222	Half Pivot Boot
2	730486	HP Airspool w/ O-rings, U.S.
3	102023	HP Hose Assembly, 3/8", U.S. (non-EAN)
4	957004	O-ring
5	101785	HP Adapter, 7/16" Fem. to 3/8" Male
6	744315	Pivot Boot, Black
7	742130	Supertilt Compass Module
8	NLA	SPG Module
9	744303	Writing Slate
10	NLA	Max Depth Gauge Module
11	NLA	Matrix Module, Imperial
	NLA	Matrix Module, Metric
	NLA	Matrix Master Module, Imperial
	NLA	Matrix Master Module, Metric

Key #	Part #	Description
12	745614	Adapter Ring, Matrix
13	744335	Battery & O-ring Kit, Matrix
14	820023	O-ring
15	744308	Battery Hatch, Matrix
16	745686	Hose Mount Assy, Matrix
<b>EPG</b>		
n/s	754178	Battery Kit
n/s	820028	O-ring, Battery Hatch
n/s	745905	Lens Protector

## Scan IV & V Computers



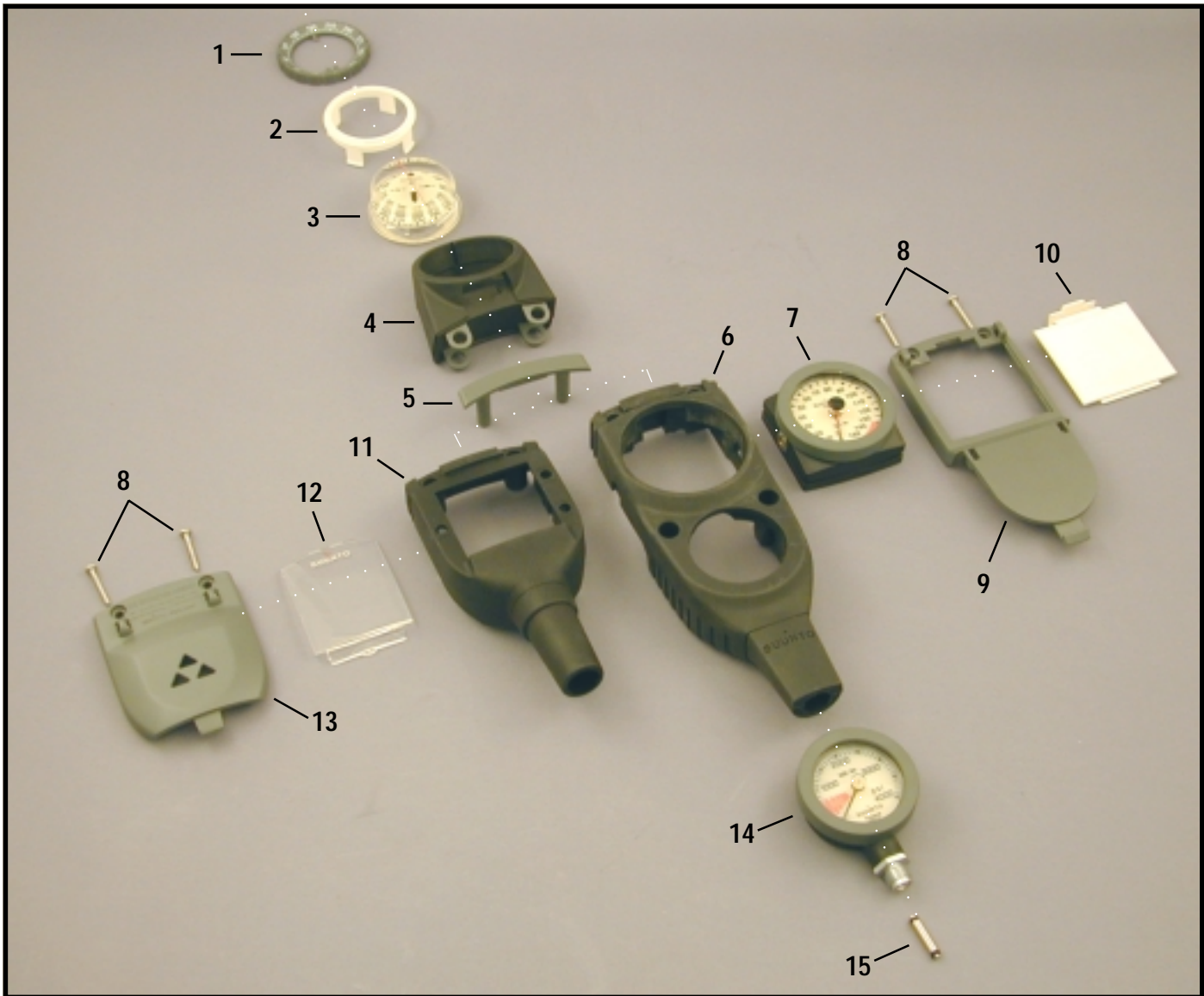
NOTE: If the Scan 4 was originally equipped with a J-cell battery, the 744336 battery kit must be used. If the Scan 4 came originally equipped with a coin cell battery holder with 2 coin cell batteries, the 741379 battery must be used (2 required).

Key #	Part #	Description	Key #	Part #	Description
<b>Scan IV</b>			<b>Scan V</b>		
1	741308	Retaining Ring, Battery Hatch	----	NLA	Wrist Unit, Scan V
2	741306	Battery Hatch	----	NLA	Transmitter, Scan V
3	744336	Battery & O-Ring Kit (SEE NOTE)	1	957004	O-ring
4	820140	O-ring, Battery Hatch	2	8200-15	O-ring
5	NLA	Module, Scan 4	3	NLA	Battery Cap, Transmitter
----	NLA	Module, Scan 4, Metric	4	NLA	Pin, Wrist Strap
6	NLA	Boot, Scan 4, Black	5	NLA	Battery Cap, Wrist Unit
7	730486	HP Airspool w/ O-rings, U.S.	6	820016	O-ring
8	102023	HP Hose Assembly, 38", U.S.	7	NLA	Wrist Strap w/ Buckle Assy, Short
9	957004	O-ring, 7/16" HP Hose	8	NLA	Wrist Strap, Long
n/s	741377	Coin Cell Battery Holder (later models only)	n/s	413152	Battery, Wrist Unit or Transducer
n/s	741379	Battery, CR2450 (2 required)			



# Instrumentation

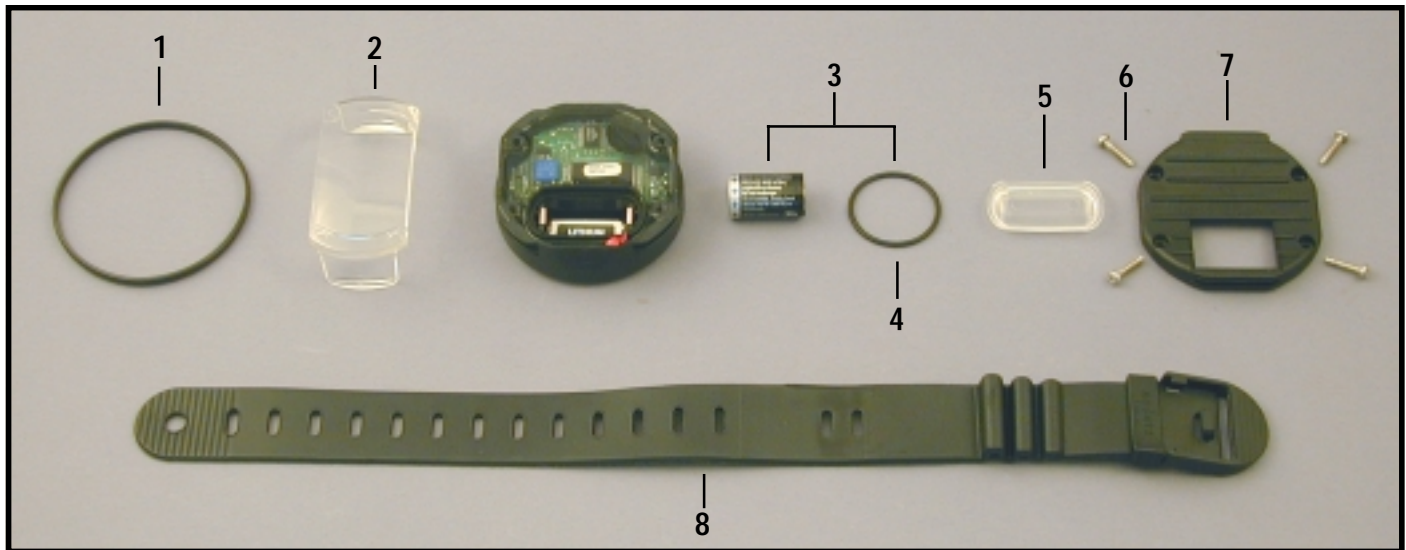
## Suunto 2 & 3 Gauge Console Suunto Air-Integrated Console



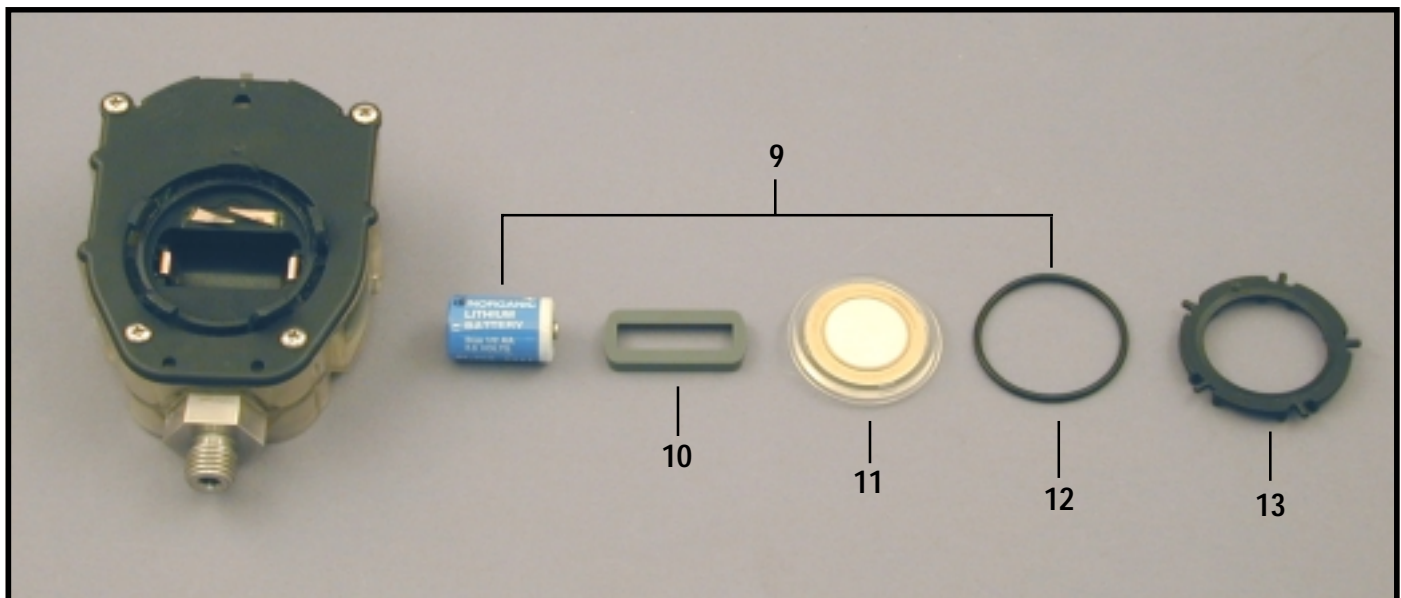
Key #	Part #	Description	Key #	Part #	Description
1	413174	Bezel, SK7	9	413131	Back Plate, 2-gauge Boot
2	413188	Friction Ring, SK7	10	413132	Slate, White, 2-gauge Boot
3	413173	Compass Module, SK7	11	413103	Boot, Eon/Favor Air Lux
4	413108	Boot, Add-on, SK7	12	413125	Gauge Shield, Eon/Favor Air Lux
5	413130	Cross Bar, Gray	13	413124	Backplate, Boot, Eon/Favor Air Lux
	NLA	Cross Bar, Eon	14	41175	SPG, Imperial, 5000psi
	413161	Cross Bar, Favor Air Lux	15	730486	Air Spool, SPG, with O-rings
6	413101	Boot, 2-gauge Console			
7	41128	Module, Depth Gauge, 150'			
	V5306	Module, Depth Gauge, 230'			
8	413133	Screw, 2-gauge and Eon Boot (1 each)			

# Instrumentation

## Solution Series Favor/Fusion



## Eon/Favor Air Lux

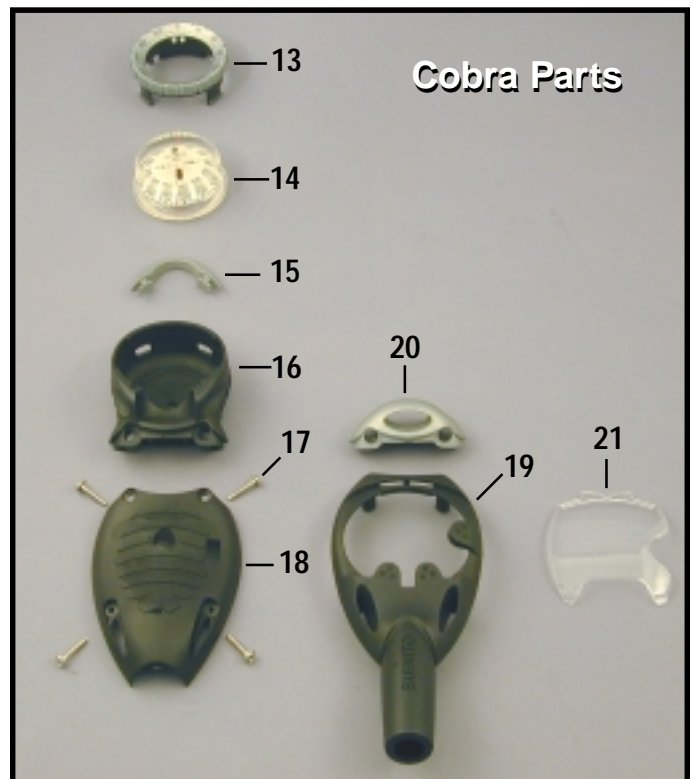
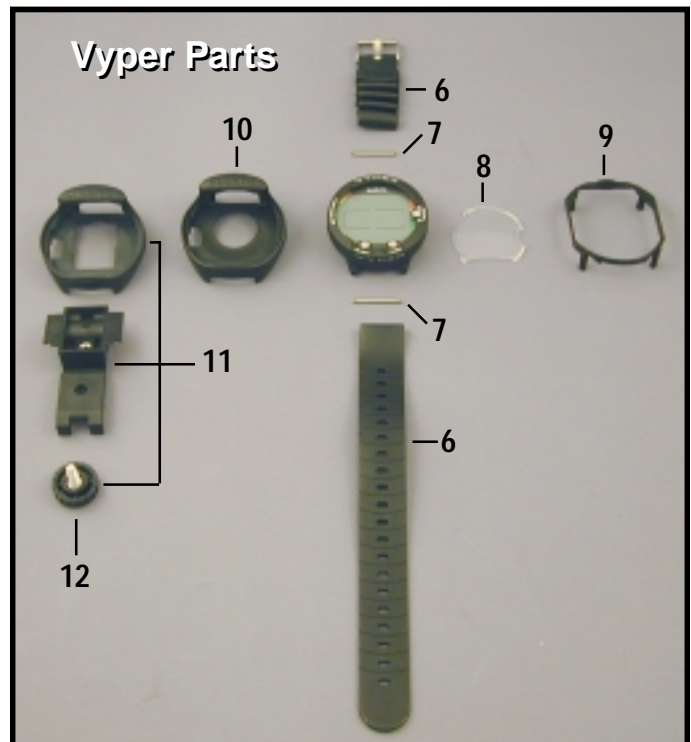
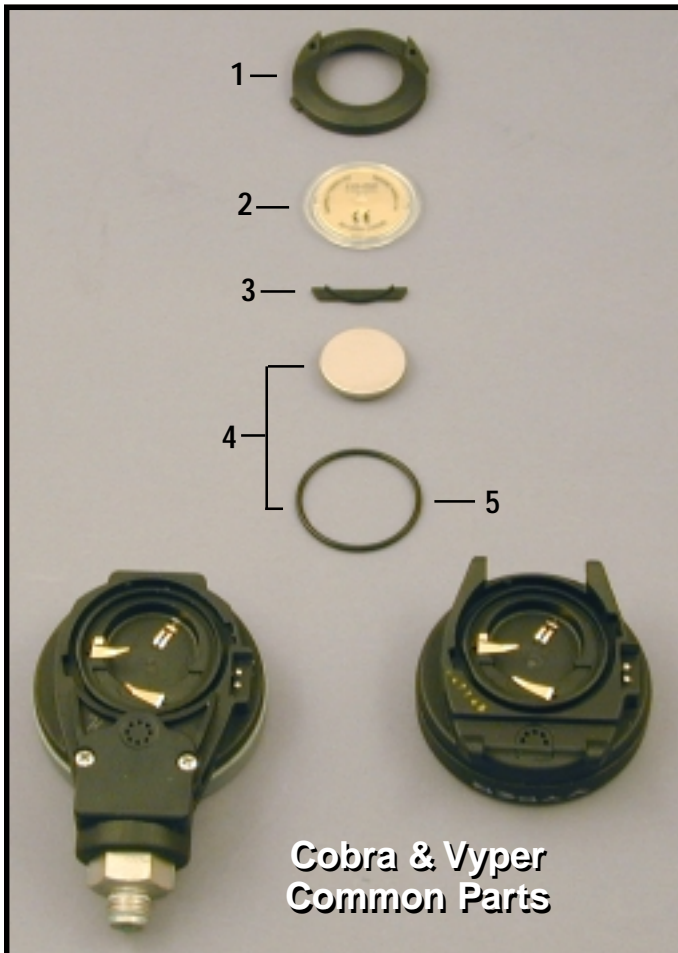


Key #	Part #	Description
<b>SOLUTION SERIES, FAVOR, FUSION</b>		
1	413135	Ring, Retaining, Gauge Shield
2	413134	Gauge Shield
3	413164	Battery Kit, Favor/Companion (3V)
	413163	Battery Kit, Solution Series/Fusion/Favor Lux
4	413118	O-ring
5	V5567	Lid, Battery Compartment
6	413148	Screw, Backplate, Computer Module (4)
7	413147	Backplate, Computer Module
8	413138	Strap, Wrist

Key #	Part #	Description
<b>EON, FAVOR AIR LUX</b>		
9	413165	Battery Kit, Eon/Favor Air
10	413129	Retainer, Battery
11	413126	Lid, Battery Compartment, with Beeper
12	413127	O-ring, Battery Compartment
13	413128	Ring, Retainer, Battery Compartment Lid

# Instrumentation

## Cobra/Vyper

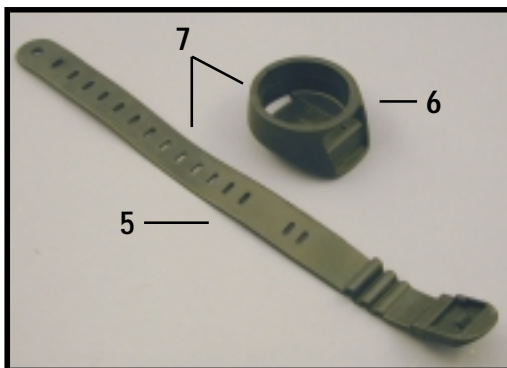
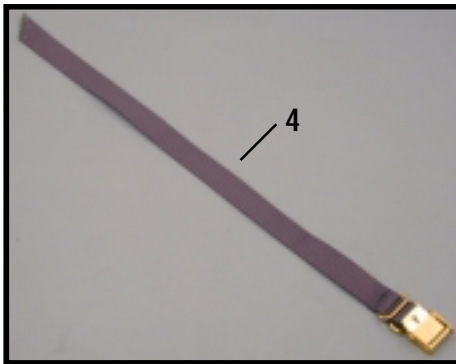
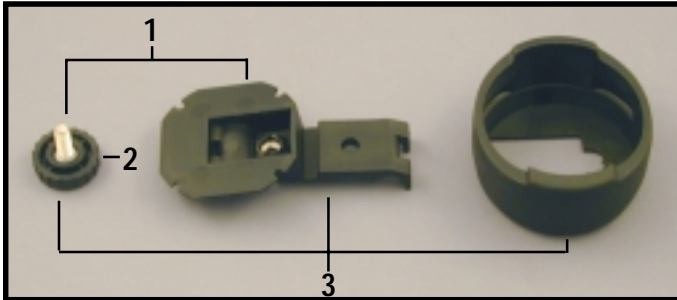


Key #	Part #	Description
-------	--------	-------------

1	413197	Ring, Retaining, Battery Cover, Cobra/Vyper
2	413196	Cover, Battery, with Beeper, Cobra/Vyper
3	413195	Retainer, Battery, Cobra/Vyper
4	413194	Battery Kit, Cobra/Vyper
5	413193	O-ring, Battery Compartment, Cobra/Vyper
6	413167	Strap, Wrist, Vyper
7	413191	Spring Bar, Wrist Strap, Vyper
8	413202	Shield, Display, Vyper
9	413166	Adapter, Console, Vyper
10	413168	Boot, Wrist, Vyper
11	413190	Kit, Hose Mount, Vyper
12	413141	Screw, Clamp, Hose Mount
13	6310	Bezel, SK7, w/Friction Ring
14	413173	Module, Compass, SK7
15	V6281	Hook
16	K5459	Boot, Compass, SK7, CB71
17	413208	Screw, Boot, Cobra
18	413207	Boot, Back, Cobra
19	413206	Boot, Front, Cobra
20	413205	End Piece, Console
21	413204	Shield, Display, Cobra

# Instrumentation

Hose Mount Boot  
Compass Wrist Boot  
Straps  
Miscellaneous



## Miscellaneous Parts (not shown)

Key #	Part #	Description
1	---- 413107	Clamp, Hose Mount, with Screw
2	---- 413141	Screw, Clamp, Hosemount
3	---- 413159	Boot, Hosemount, Complete Kit
4	---- 413139	Strap, Wrist, Nylon
5	---- 413138	Strap, Wrist, Rubber
6	---- 413171	Boot, Hosemount, SK7
7	---- 413170	Boot, Hosemount, SK7, Complete Kit

Key #	Part #	Description
----	413109	Boot, SPG, Strap Style
----	413145	Backplate, Flat, For Compass
----	413146	Backplate, Flat, for Wrist Gauge
----	413149	Screws, Square, for Wrist Gauge
----	413179	Extension, Strap, Spyder
----	413186	Pin, Strap, Spyder
----	4140801	Pouch, Console, Large
----	4140800	Pouch, Console, Small
----	413203	Retractor, SK7, without Compass

# NOTES

**COMMUNICATIONS  
&  
DRYSUITS**

---

# Gates Dry Suits and Accessories

In June 2000, Aqua Lung elected to exit the dry suit market in the United States. As you may recall, Aqua Lung was the proud distributor of the Gates Rubber Company line of suits and accessories for several years.

While we have eliminated our entire inventory of dry suits and spare parts, Aqua Lung and Gates have worked together to formulate an exit strategy that would provide minimal disruption to the distribution stream of spares. Below you will find a list of the newly appointed distributors as well as the authorized repair and warranty centers. Please contact them directly with your needs.

## Newly Appointed Gates Dry Suit Distributors

- 1. DESCO Corporation**  
240 N. Milwaukee Street  
Milwaukee, Wisconsin 53202  
Contact: Ric Koellner  
Tel. 414. 272. 2371 Fax. 414. 272. 2373
- 2. DIVERS SUPPLY**  
2396 Belle Chase Hwy.  
Gretna, Louisiana 70054  
Contact: Robbie Mistretta  
Tel. 504. 392 .2800 Fax. 504. 392. 3920
- 3. AQUA AIR INDUSTRIES**  
201 Paillet Drive  
Harvey, Louisiana 70058  
Contact: Rod Cruze  
Tel. 504. 362. 8124 Fax. 504. 362. 3600
- 4. HIGH TECH DIVING & SAFETY**  
27074 Sunnybrook Road  
Punta Gorda, Florida 33983 3320  
Contact: Richard Zahorniak  
Tel. 941. 624. 4359 Fax. 941. 743. 0730.
- 5. Aqua Lung Canada, Ltd**  
(Existing and not newly- appointed)  
2200 Keating Cross Road, Unit E  
Victoria, Canada  
Contact: John Gardner  
Tel. 250.652.5881 Fax. 250.652.5891

## Authorized Gates Service and Warranty Centers

- 1. Sea Me Repair**  
4352 Poplar Street  
San Diego, CA 92105  
Contact: Karen Gary  
Tel. 619.563.9033. Fax 619.563.3691
- 2. Dry Suits Plus**  
1103 West Oklahoma Ave  
Milwaukee, WI 53215  
Contact: Jeff Austin  
Tel. 414.482.1430
- 3. Kunuku Dive & Travel**  
1594 Third Avenue  
Alpha, NJ 08865  
Contact: Harry Douris, Jr.  
Tel. 908.454.3577

---

## Dry Gloves

Please contact:

**Innerspace Inc.**  
41220 Cilantro  
Sterling Hgts., MI. 48314  
810-726-1452

---

## Underwater Communications and Interspiro Divator II Masks and Regulators

Please Contact:

**Ocean Technology Systems**  
2950 Airway Ave., Ste. D-3  
Costa Mesa, CA. 92626  
(714) 754-7848

# **MISCELLANEOUS**



# Masks, Fins, Snorkels, & Knives

## Masks

**Seal Mask**  
n/s --- 220312 Strap, Clear, Seal Mask  
n/s --- 220313 Strap, Black, Seal mask

**Quartz**  
n/s --- 50521 Strap & Buckle Assembly  
n/s --- 504651 Strap, Silicone, Clear  
n/s --- 504652 Retainer, Strap, Quartz/Cortez

**Cortez**  
n/s --- 504651 Strap, Silicone, Clear  
n/s --- 504652 Strap, Silicone, Black

**Vera**  
n/s --- 42456 Buckle Assembly  
n/s --- 42457 Strap, Silicone, Clear  
n/s --- 42411 Retainer, Strap, Black  
n/s --- 42410 Strap, Silicone, Black

**Look Mask**  
n/s --- 503629 Buckle, Left  
n/s --- 503628 Buckle, Right  
n/s --- 42457 Strap, Silicone, Clear  
n/s --- 42411 Retainer, Strap, Black

**Hawaii**  
n/s --- 502503 Buckle, Hawaii 1&2  
n/s --- 502729 Buckle, Left, Hawaii 3&4  
n/s --- 502728 Buckle, Right, Hawaii 3&4  
n/s --- 502514 Strap, Silicone, Clear  
n/s --- 502524 Strap, Silicone, Black  
n/s --- 502522 Retainer, Strap, Black  
n/s --- 502506 Lens Retainer, Left, Hawaii 2  
n/s --- 502505 Lens Retainer, Right, Hawaii 2  
n/s --- 502734 Lens Retainer, Left, Hawaii 4  
n/s --- 502733 Lens Retainer, Right, Hawaii 4  
n/s --- 502742 Roller Pin, Hawaii 1, 2, 3, & 4  
n/s --- 502739 Gasket, Lens, Left, Hawaii 4  
n/s --- 502738 Gasket, Lens, Right, Hawaii 4

**Scan**  
n/s --- 502524 Strap, Silicone, Black  
n/s --- 502522 Retainer, Strap, Black

**Maui**  
n/s --- 502514 Strap, Silicone, Clear  
n/s --- 502524 Strap, Silicone, Black  
n/s --- 502522 Retainer, Strap, Black

**Wraparound**  
n/s --- 502607 Buckle, Left & Right  
n/s --- 507709 Strap, Silicone, Black  
n/s --- 507708 Strap, Silicone, Clear  
n/s --- 502611 Purge Valve w/ Retainer  
n/s --- 502522 Retainer, Strap, Black

**Pacifica/Atlantis**  
n/s --- 503605 Buckle, Left & Right  
n/s --- 507709 Strap, Silicone, Black  
n/s --- 507708 Strap, Silicone, Clear  
n/s --- 15852 Purge Valve (Pacifica)  
n/s --- 502522 Retainer, Strap, Black

**Mask Strap and Snorkel Keeper Replacement Kits**  
n/s --- 2505-80 Fits Catalina, Corsica, Malta, Cabo, Scan,  
---- Look, Santa Rosa, Santa Cruz,  
---- Santa Cruz Mini, Fusion

**Mask Boxes**  
n/s --- 220315 Box, Plastic, Look/Vera  
n/s --- 505020 Box, Plastic, Hawaii/Quartz/Cortez

## Tank Boots

n/s --- 070000 AL 7.25"  
n/s --- 078605 LP Steel w/ Insert  
n/s --- 078766 HP Steel  
n/s --- 070050 AL 6.9"

## Regulator Accessories

**Adapters**  
---- 102085 High pressure, 3/8" Fem. to 7/16" Male  
---- 1017-85 High Pressure, 7/16" Fem. to 3/8" Male

**Hose Protectors**  
---- 102043 Hose Protector, Green (EAN), 1/2"  
---- 102067 Hose Protector, Aqua Lung, Black  
---- 102068 Hose Protector, Aqua Lung, Yellow

## Dealer Service Manuals

---- 780202 Conshelf XIV, First & Second Stages  
---- 780211 J & K Valves  
---- 780208 SE2, 21 First & Second Stages  
---- 780219 Select/SEA2 2nd-Stage  
---- 780226 K-Valve (0542-00)  
---- 780227 DIN Type Valve and Adapters  
---- 780228 AirMic Inflator  
---- 778602 Air Mic Inflator Service Addendum  
---- 780230 Second Stage, SEA4, SE3, 22, Aquarius,  
Pioneer, Octopus  
---- 780231 Micra Air System  
---- 780232 Aquarius First Stage  
---- 780233 Pioneer First Stage  
---- 100889 Micra ADJ Second Stage  
---- 107856 Impulse Second Stage  
---- 900208 EAN/ Nitrox Cleaning & Service  
---- 780301 Titan First-Stage  
---- 780302 XLC Second-Stage

## Service CR-ROMs

---- 900102 Air Source, Powerline & Dual Valve  
---- 900103 Low Profile Octopus (LPO)  
---- 900104 Glacia Second Stage

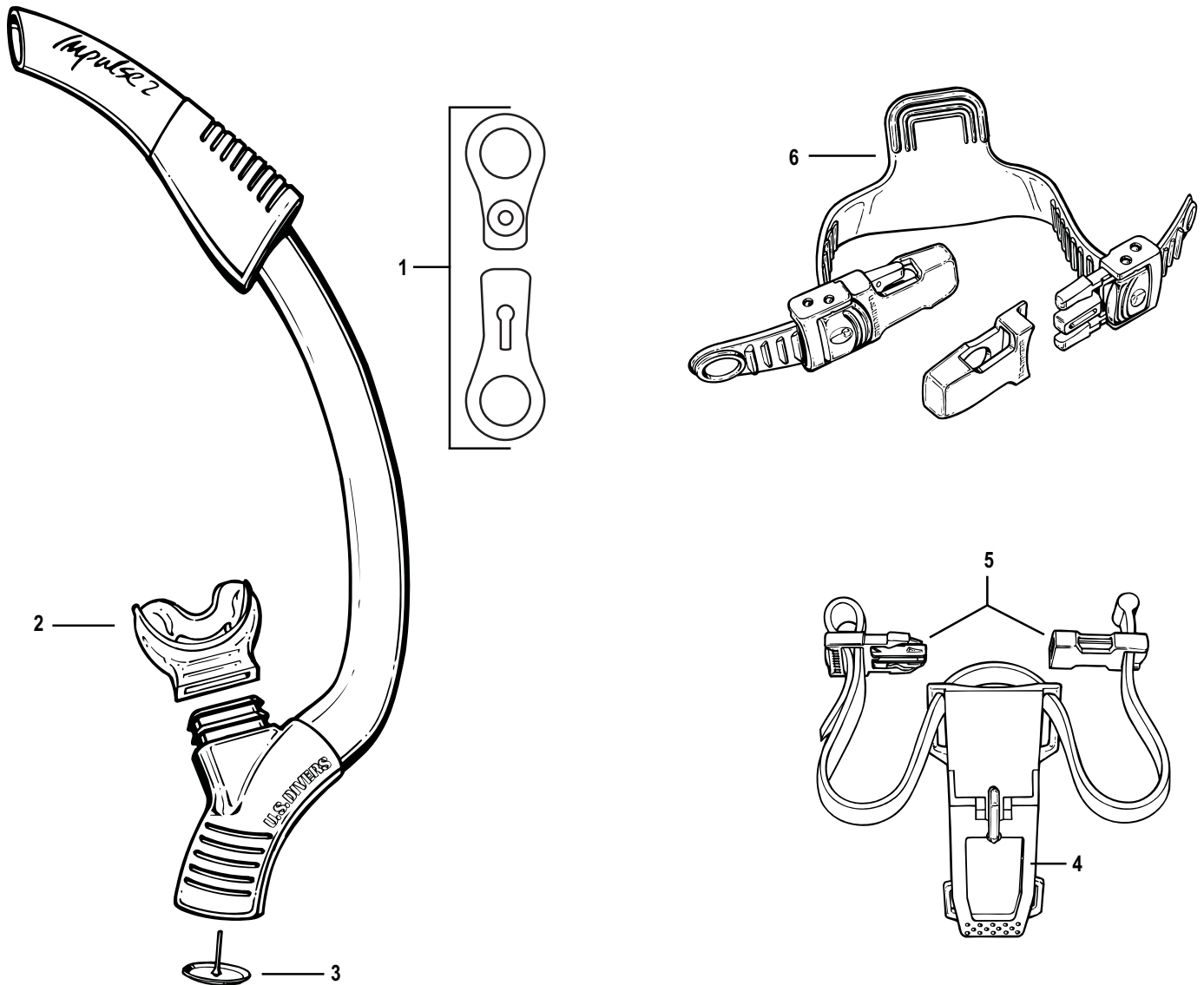
## User's Manuals

**Instrumentation**  
---- 745695 Matrix  
---- 755795 Matrix Master

**Buoyancy Compensators**  
---- 18009 Snorkeling Vest  
---- 18222 BC Manual, Aqua Lung

**Regulators**  
---- 1019-99 All Models

**Fins, Snorkels, & Knives**

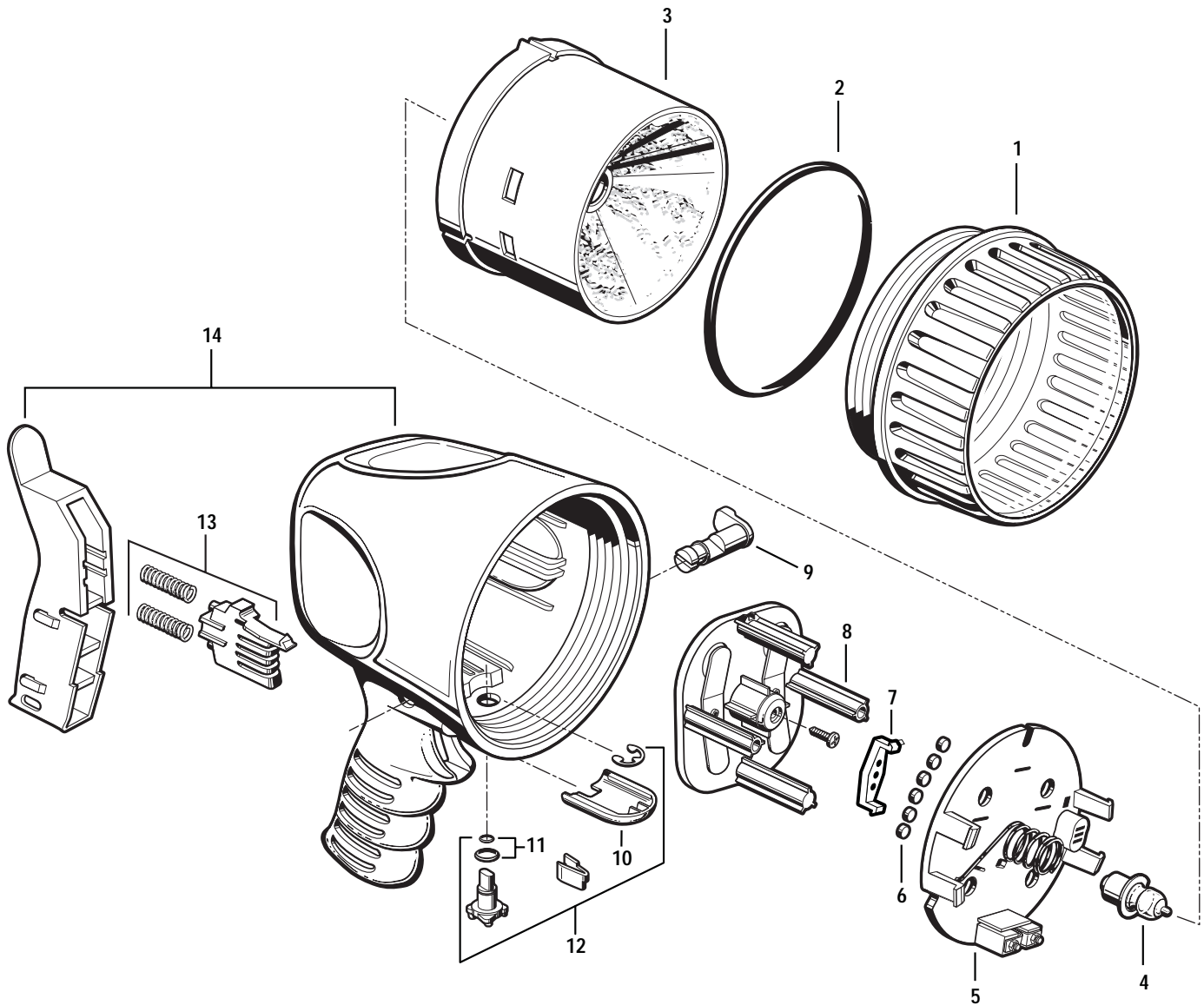


Key #	Part #	Description
<b>Snorkels</b>		
1	---- 734332	Keeper
2	---- 105838	Comfo-Bite Mouthpiece, Std
	---- 105848	Comfo-Bite Mouthpiece, Sm
3	---- 100122	Purge Valve Diaphragm
<b>Knives</b>		
4	---- 420106	Sheath, Vector, 5.5"
5	---- 41942	Strap & Buckle Assembly, Mako & Vector
n/s	---- 422441	Sheath, Sea Hawk 2 & Sea Master
	---- 422613	Retaining Ring, Sea Hawk 2/SeaMaster
	---- 41942	Strap, Sea Hawk 2/SeaMaster

Key #	Part #	Description
	---- 421106	Sheath, Sabre, Blue
	---- 421107	Sheath, Sabre, Yellow
	---- 421108	Sheath, Sabre, Pink
<b>Fins</b>		
6	---- 622680	Strap & Buckle Assy, Pulse/Compro/Rocket
	---- 42455	Strap & Buckle Assy, Blades/Blades 2
n/s	---- 625003	Strap, Monaco, Black
n/s	---- 625009	Buckle, Monaco, Left
n/s	---- 625008	Buckle, Monaco, Right
n/s	---- 621502	Strap, Rocket or Compro, w/ Wire Buckles
n/s	---- 621195	Parts Kit, Rocket (2 Straps & 4 Buckles)

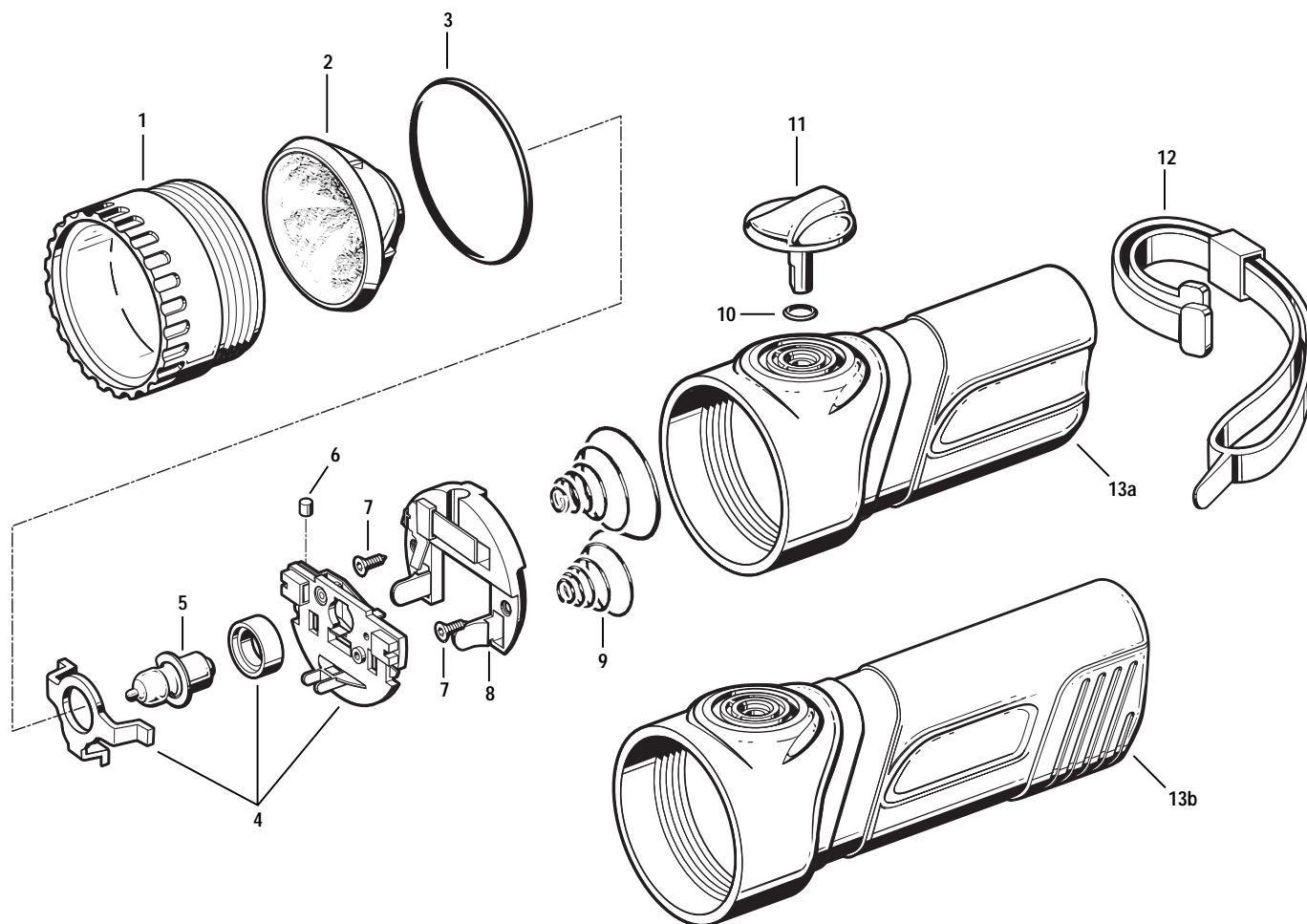
# Miscellaneous

## Mini Vega Light



Key #	Part #	Description
1	----	NLA Lens
2	----	NLA O-ring
3	----	42490 Reflector
4	----	42479 Bulb
5	----	42491 Front Plate Assembly
6	----	42466 Catalyst (6 pak)
7	----	42493 Catalyst Clip
8	----	42492 Back Plate Assembly
9	----	42498 Safety Latch
10	----	42496 Switch Cover
11	----	42488 O-rings (includes circlip)
12	----	42497 Complete Catch Assembly
13	----	42495 Trigger w/ Springs
14	----	42494 Housing Assembly

## Lumen 4 & 6 Lights

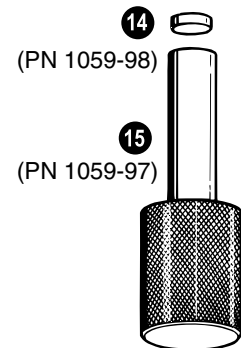
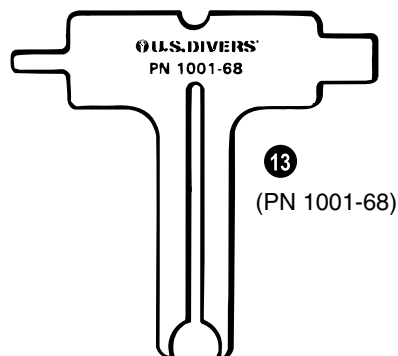
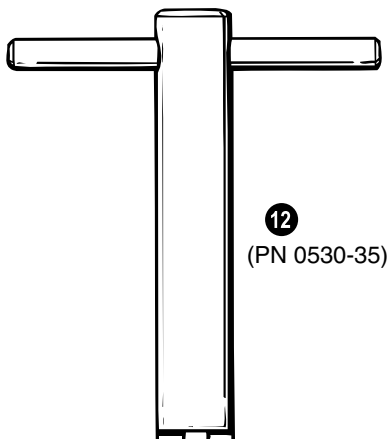
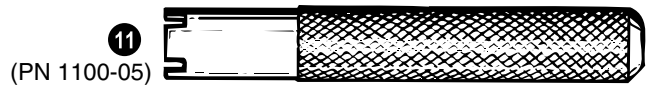
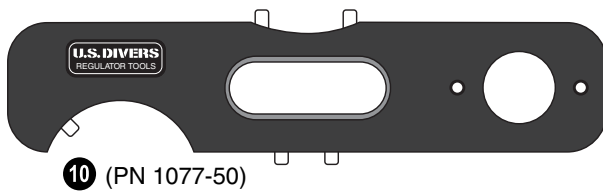
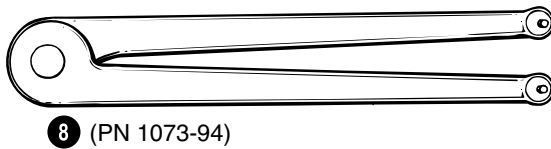
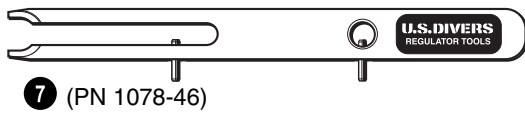
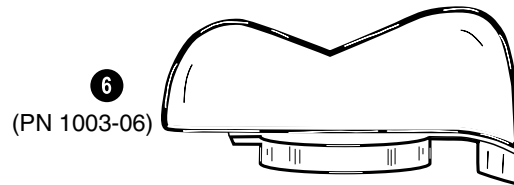
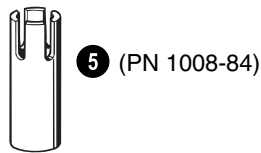
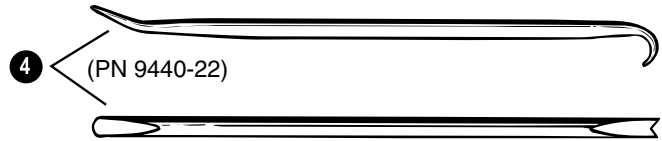
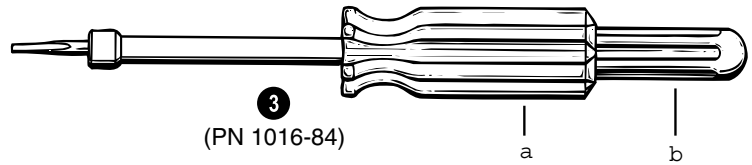
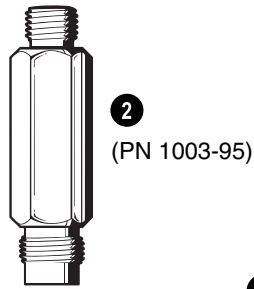
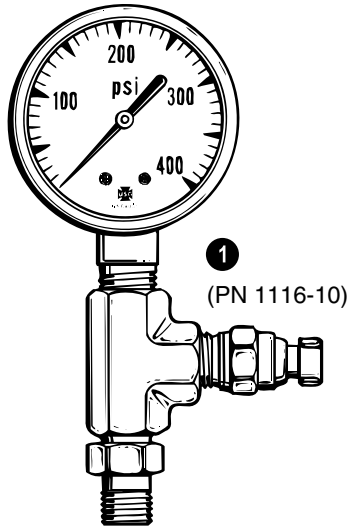


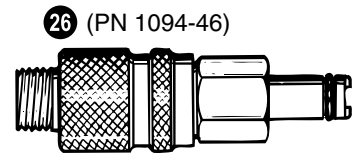
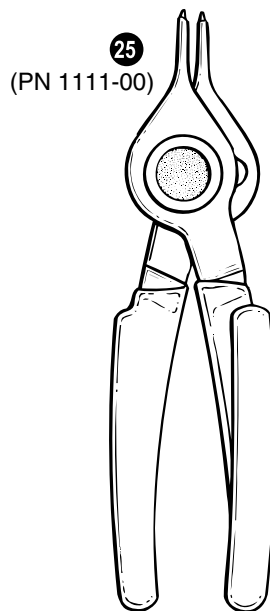
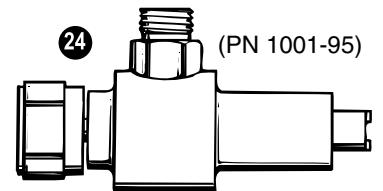
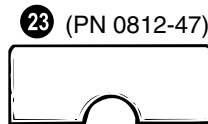
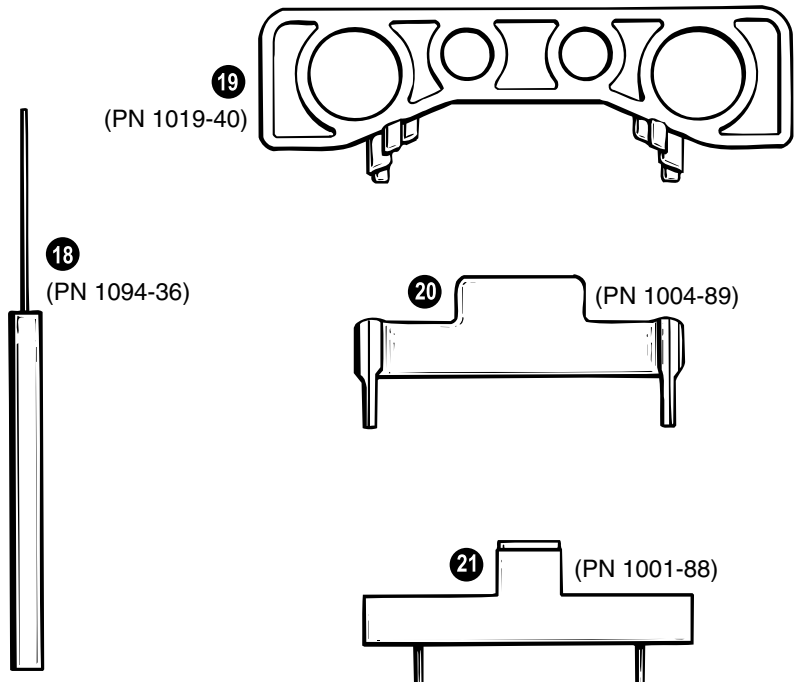
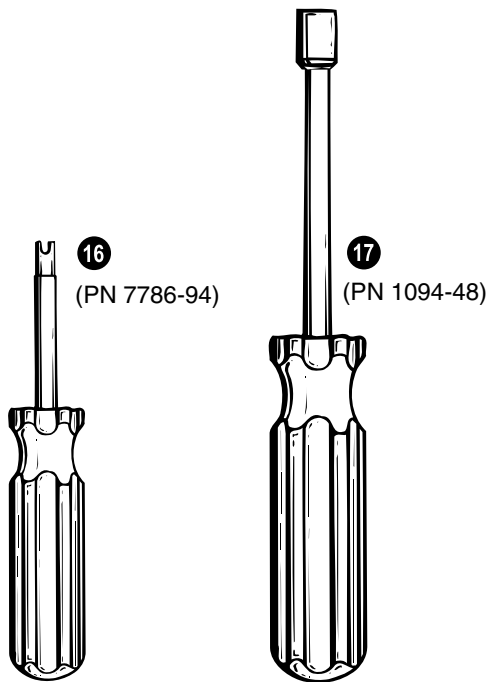
Key #	Part #	Description
1	---- 42460	Lens
2	---- 42461	Reflector
3	---- 42462	O-ring
4	---- 42473	Front Plate Assembly
5	---- 42479	Bulb, Lumen 4
	---- NLA	Bulb, Lumen 6
6	---- 42466	Catalyst (6 pak)
7	---- 42475	Screw
8	---- 42474	Rear Plate Assembly
9	---- 42476	Spring
10	---- 42465	O-ring
11	---- 42464	Switch
12	---- 42467	Strap
13a	---- 42469	Housing, Lumen 4, Black
13a	---- 42470	Housing, Lumen 4, Neon Yellow
13a	---- NLA	Housing, Lumen 4, Blue
13b	---- NLA	Housing, Lumen 6, Black

# NOTES

# **SPECIALTY TOOLS**

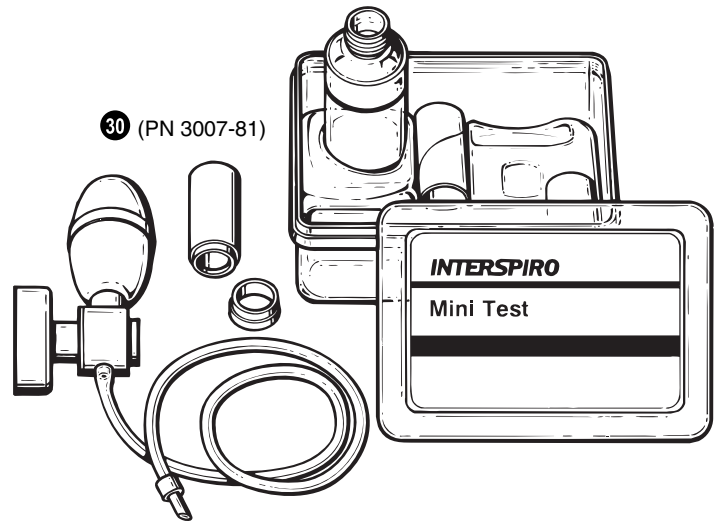
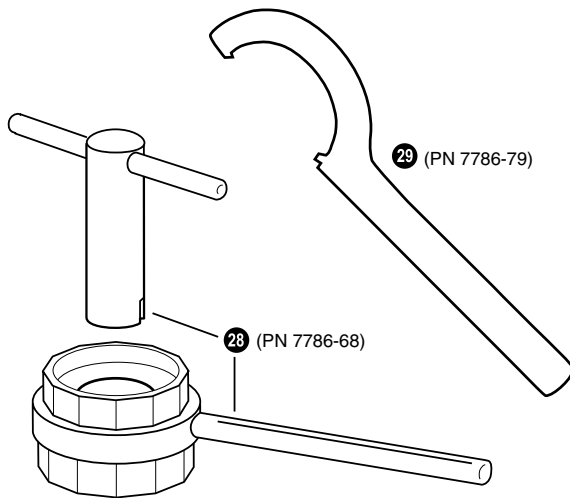
# Specialty Tools







# Specialty Tools



Key #	Part #	Description	Cousteau/Titan		Micra ADJ			Calypso/	
			SEA/Con	Con XIV	Micra+	Impulse	Arctic	Pioneer	Aquarius
1 ---	1116-10	Test Pressure Gauge, 0-400 psi	✓	✓	✓	✓	✓	✓	✓
2 ---	1003-95	Vise Mounting Tool	✓	✓	✓	✓	✓	✓	✓
3 ---	1016-84	Lever Height Adjustment Tool (LHAT)	✓	✓				✓	✓
3a ---	1016-83	L.H.A.T., Machined Nut Driver	✓					✓	✓
3b ---	1016-82	L.H.A.T., Machined Screwdriver	✓					✓	✓
4 ---	9440-22	O-ring Removal/ Installation Toolkit	✓	✓	✓	✓	✓	✓	✓
5 ---	1008-84	Micra ADJ Lever Installation Tool				✓			
6 ---	1003-06	SEA4/ SE3 Boxtop Wrench	✓						
7 ---	1078-46	Circlip/ Retaining Ring Tool	✓		✓	✓			
8 ---	1073-94	Adjustable Face Spanner					✓		✓
9 ---	1094-44	Arctic Poppet Wrench					✓		✓
10 ---	1077-50	Quad Spanner Wrench					✓		✓
11 ---	1100-05	Conshelf Poppet Wrench	✓	✓			✓		✓
12 ---	0530-35	Valve Handwheel Tool (For use with Cylinder Valves only)							
13 ---	1001-68	Micra/ Arctic Pre-Adjustment Tool			✓		✓		
14 ---	1059-98	Crown Tool Discs, spares (SE & Cnshlf)	✓	✓					
15 ---	1059-97	Crown Polishing Tool	✓	✓					
16 ---	7786-94	Valve Core Removal Tool							✓
17 ---	1094-48	Arctic 5.5 mm Nut Driver					✓		
18 ---	1094-36	Seat Extraction/ Installation Tool	✓	✓	✓	✓	✓	✓	✓
19 ---	1019-40	Box Top Wrench	✓				✓		✓
20 ---	1004-89	Select Retaining Ring Tool	✓						
21 ---	1001-88	Micra Retaining Ring Tool			✓	✓			
22 ---	0201-09	ChromeSafe Cleaning Solution, 1 Gal	✓	✓	✓	✓	✓	✓	✓
n/s ---	0201-05	ChromeSafe Cleaning Solution, 1 Qt.	✓	✓	✓	✓	✓	✓	✓
23 ---	0812-47	Supreme Retainer Wrench	✓	✓	✓	✓	✓	✓	✓
24 ---	1001-95	Micra In-Line Adjustment Tool	✓		✓	✓			
25 ---	1111-00	Reversable Snap Ring Pliers	✓	✓	✓		✓		✓
26 ---	1094-46	Arctic In-Line Adjustment Tool					✓		
27 ---	1110-00	HP Spring Block Assy Guide	✓	✓					
28 ---	7786-68	AirMic Manifold Tools							✓
29 ---	7786-79	AirMic Retaining Collar Wrench							✓
30 ---	3007-81	Test Kit - Interspiro Divator FFM Second Stage Valve Only							
31 ---	42611	BC Patch Kit							✓
32 ---	7802-83	Repair Mat	✓	✓	✓		✓	✓	✓