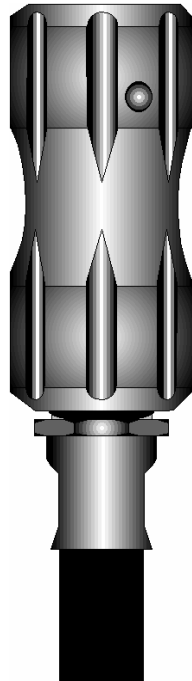


# **SCUBAPRO**

## **Smart Com/Aladin Air**

### **Quick Disconnect Hose**

**USE THIS GUIDE AS A REFERENCE WHEN SERVICING  
THE Smart Com/Aladin Air Quick Disconnect**






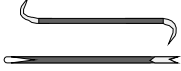


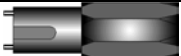


©2003 SCUBAPRO

**important note:** The following information is not designed to be a complete training guide for servicing the listed SCUBAPRO products. All SCUBAPRO technicians are required to attend an annual service training program to insure safe handling and servicing of SCUBAPRO products. All SCUBAPRO technicians must be employed by an authorized SCUBAPRO facility.






## SCUBAPRO Smart Com/Aladin Air Quick Disconnect Hose

### TOOLS NEEDED FOR REPAIR OF Smart Com/Aladin Air Quick Disconnect Hose


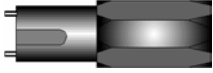
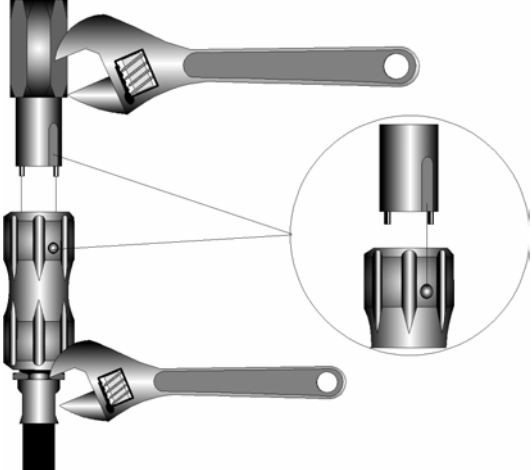

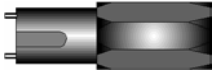
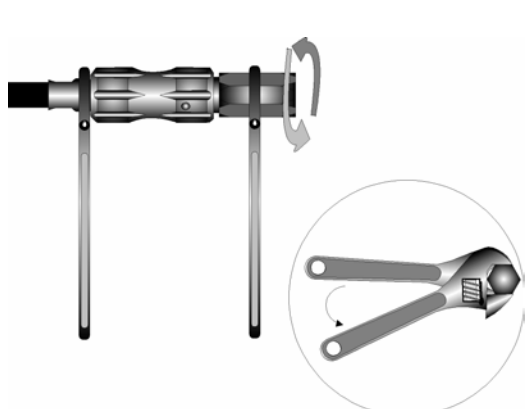

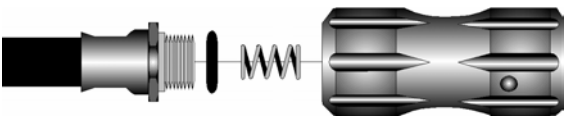


Quantity	Part Number	Description	
1 tube	41.047.000	Christo-Lube	
1	47.010.000	Counter Mat	
1	41.496.101	Lubricant syringe	
1 set	10.102.100 (Peter Built)	Brass o'ring picks	
2		Adjustable wrench	
1	18.300.500	Blow Gun/Air Nozzle	
1	20.135.100	Quick Disconnect Tool Set (includes:)	
1		Pin Driver	
1		O'ring stop tool	
1		Guide Bushing	


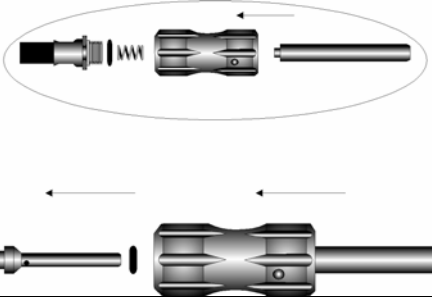

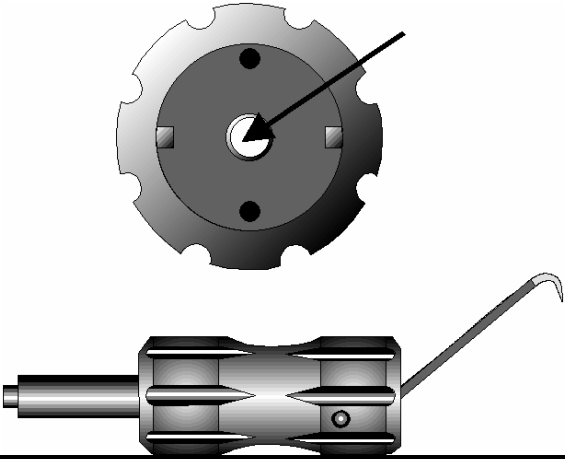

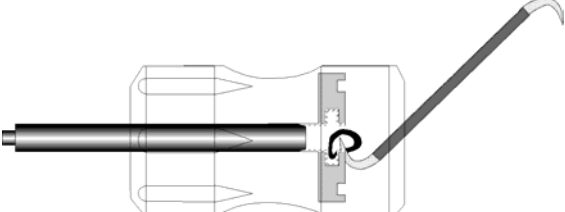
#### ICON LEGEND

	Inspect carefully, replace if needed
	Lubricate properly
	Replace annually
	Dynamic o'ring, replace annually and lubricate properly
	No tools needed for this step




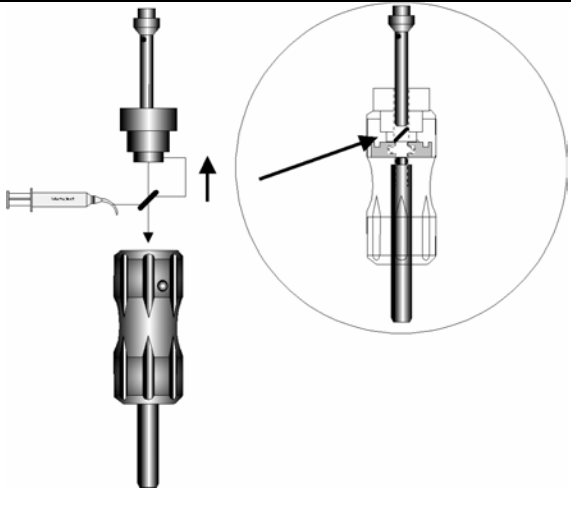
## SCUBAPRO Smart Com/Aladin Air Quick Disconnect Hose


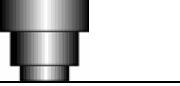
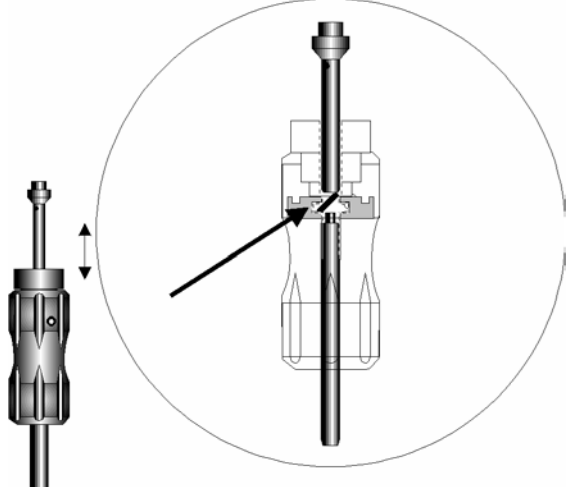
	 (2)	
<p>Insert Pin Driver inside female side of Quick Disconnect Fitting. Align the pins and groove on the wrench with the holes and pins on the Quick Disconnect body.</p> <p>Adjustable wrenches will be used to hold and turn the fitting.</p>		
	 (2)	
<p><b>CAUTION:</b> Ensure that the supply gas is turned in the off position and that the regulator is purged of all pressure prior to performing this step.</p> <p>Hold the hose fitting with one adjustable wrench. Turn the Pin Driver counter-clockwise using the second adjustable wrench.</p>		
		
<p>Remove the high-pressure hose from the Quick Disconnect fitting.</p> <p><b>CAUTION:</b> Use caution to ensure that the spring is not lost during disassembly.</p>		

### SCUBAPRO Smart Com/Aladin Air Quick Disconnect Hose

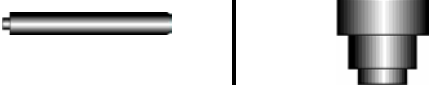
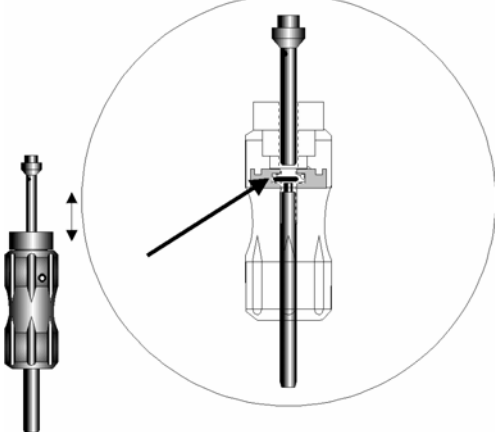
	
<p>Use the O'ring stop tool to push the stem out of the Quick Disconnect body.</p> <p>NOTE: Use the extended end of the O'ring stop tool to push the stem all the way out of the body (as shown).</p>	
	
<p>Use the O'ring stop tool to hold the stem insert in place. Use a curved o'ring pick to remove the internal stem o'ring.</p> <p>CAUTION: When possible, use a brass o'ring pick to avoid scratching the o'ring seating surface.</p>	
	
<p>Insert the o'ring pick and carefully lift one side of the internal o'ring out of the groove. Rotate the pick until the o'ring is removed.</p>	

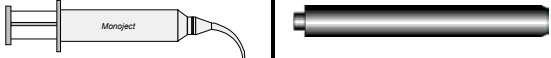
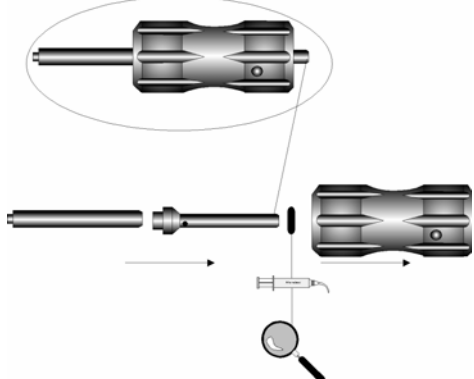
## SCUBAPRO Smart Com/Aladin Air Quick Disconnect Hose


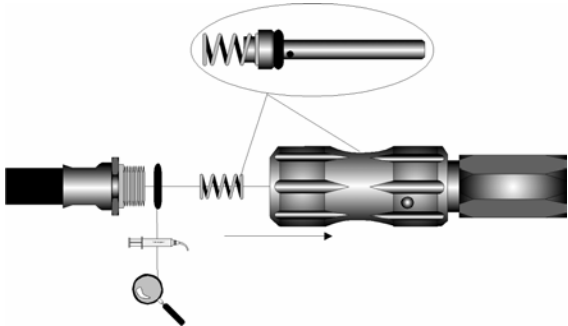
			
<p>To reinstall the o’ring, use the Guide Bushing and O’ring stop tool.</p> <p>Lubricate the internal stem o’ring (P/N 01.050.344) as shown.</p> <p>Place the o’ring stop tool inside the Quick Disconnect fitting as shown.</p> <p>Place the o’ring inside the Guide Bushing at a 45-degree angle. Place the Guide Bushing into the Quick Disconnect fitting.</p> <p>Insert the stem from the Quick Disconnect assembly into the Guide Bushing.</p>			

		
<p>Use the O’ring stop tool to prevent the o’ring from being accidentally forced through the other side of the groove.</p> <p>Carefully move the stem up and down, pushing and distributing the o’ring into the internal groove of the Quick Disconnect fitting.</p>		


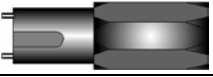
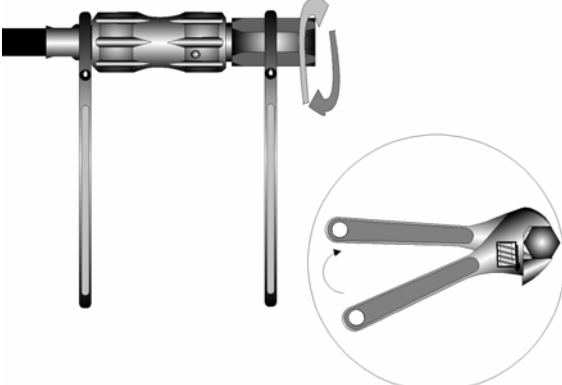

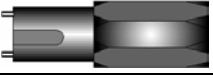
## SCUBAPRO Smart Com/Aladin Air Quick Disconnect Hose

	
<p>Ensure that the o’ring is evenly placed within the groove. Withdraw the stem and o’ring stop tool.</p>	

	
<p>After cleaning, inspect and lubricate the stem o’ring.</p> <p>Reassemble the stem o’ring and stem.</p> <p>Insert the stem assembly into the Quick Disconnect body and push all the way in using the flat end of the O’ring stop tool (as shown). The forward end of the stem should extend to the outside of the Quick Disconnect body.</p>	

	
<p>Inspect and lubricate the high-pressure hose o’ring.</p> <p>Insert the Pin Driver into the end of the Quick Disconnect fitting to hold it secure. Align the pins and groove on the wrench with the holes and pins on the Quick Disconnect body.</p> <p>Insert the spring carefully into the body as shown. Thread the high-pressure hose onto the body.</p> <p><b>NOTE:</b> The base of the spring should rest on the base of the stem as shown.</p>	

## SCUBAPRO Smart Com/Aladin Air Quick Disconnect Hose

	 (2)	
<p>Tighten the high-pressure hose onto the Quick Disconnect body using two adjustable wrenches and the Pin Driver.</p>		
	 (2)	
<p>After re-attaching the high-pressure hose to the regulator, carefully pressurize the quick disconnect fitting and listen for leaks.</p> <p>If leaks appear, depressurize the regulator and tighten using the Pin Driver and adjustable wrenches.</p>	